

MSP-300 Stainless Steel Isolated Pressure Transducer



**ISO
9002**

- **Low Cost OEM**
- **100% Leak Proof**
No "O" Rings, No Silicone Oil, No Welds

Features

One-piece Stainless Steel Construction
Ranges up to 10,000 PSI or 700 BAR
Millivolt or Amplified Outputs
Excellent Accuracy
Wide Operating Temperature Range

Applications

Pumps and Compressors
Hydraulic/Pneumatic Systems
Automotive Test Systems
Energy and Water Management
Pressure Instrumentation
Refrigeration — Freon and Ammonia Based
Agriculture — Sprayers and Dusters

Description

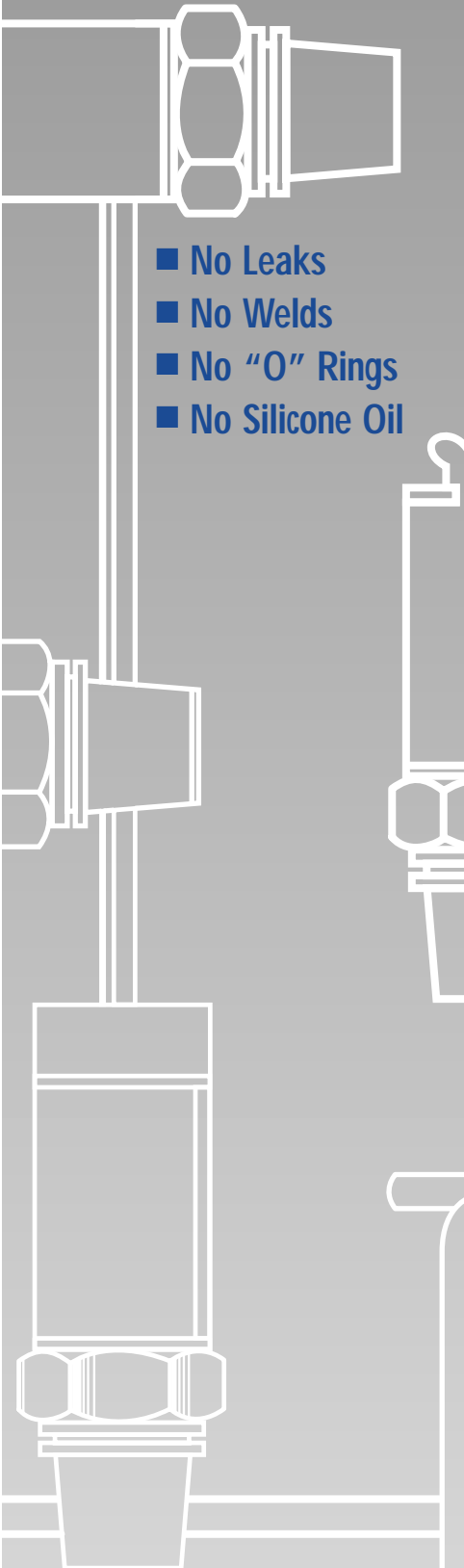
The MSP series pressure transducers set a new price-performance standard for low cost, high volume, commercial and industrial applications. This series is suitable for measurement of liquid or gas pressure, even for difficult media such as contaminated water, steam, and mildly corrosive fluids or gases.

The transducer pressure cavity is machined from a solid piece of 17-4 PH stainless steel. The standard version includes a 1/4 NPT pipe thread allowing a leak-proof, all metal sealed system. There are no o-rings, welds or organics exposed to the pressure media. The durability is excellent.

Measurement Specialties proprietary Microfused technology, derived from demanding aerospace applications, employs micromachined silicon piezoresistive strain gages, fused with high temperature glass to a stainless steel diaphragm. This approach achieves media compatibility simply and elegantly providing an exceptionally stable sensor without the p-n junctions of conventional micromachined sensors.

This product is geared to the OEM customer using medium to high volumes. The standard version is suitable for many applications, but the dedicated design team at our Transducer Engineering Center stands ready to provide a semi-custom design where the volume and application warrants.



- 
- **No Leaks**
 - **No Welds**
 - **No "O" Rings**
 - **No Silicone Oil**

Performance at 77°F (25°C):

Pressure range	0 to 100, 250, 500, 1000, 2500, 5000, 10000 PSI (consult factory for compound ranges) (0 to 7, 17, 35, 70, 175, 350, 700 BAR)	
Accuracy (combined linearity, hysteresis and repeatability)	< ±1% of FS Span (for higher accuracy consult factory)	
Media compatibility	17-4 PH stainless steel (for other material consult factory)	
Pressure ports	1/4" NPT (for other ports consult factory)	
Pressure cycles	>10 ⁸ full pressure cycles	
Pressure overload	2X rated pressure	
Burst pressure	5X or 20000 PSI whichever is less	
Long term stability (1 year)	± 0.25% FS Span (Typical)	

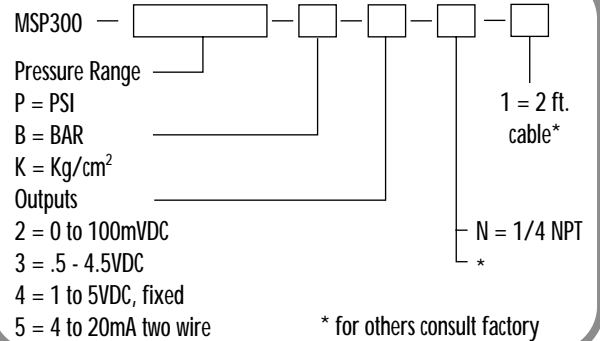
Electrical:

Supply voltage	5VDC	10-30VDC
Supply current	<10mA	<15mA
Outputs	0-100mVDC, ratiometric to supply (2)	1-5VDC, fixed (4)
	0.5-4.5VDC, ratiometric to supply (3)	4-20mA, two wire (5)
Interface	2 ft. PVC jacketed cable (for other options consult factory)	
Zero offset	± 3% of FS Span for 0-100mV/ ±2% for amplified (for tighter tolerances consult factory)	
Span tolerance	± 2% of FS Span for 0-100mV/ ±2% for amplified (for tighter tolerances consult factory)	
Output load	1M Ohm for millivolt output / 5K Ohm min for high level voltage	
	0 Ohms @ 10V (1100 Ohms @ 30V) for 4-20mA	
Noise	< 2mVRMS - for amplified	
Bandwidth (-3dB)	DC to 1KHz - for amplified	

ENVIRONMENTAL

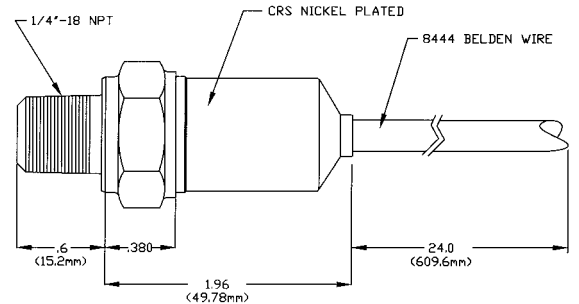
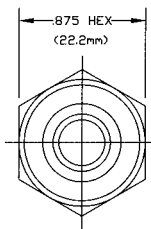
Operating temperature range	-4 to 185°F (-20 to 85°C), (For other temperature ranges consult factory)
Compensated temperature range	30 to 130°F (0 to 55°C)
Zero thermal error	< ± 2% of FS Span
Span thermal error	< ± 2% of FS Span
Storage temperature range	-20 to 185°F (-30 to 85°C)
Shock	100G, 1/2 sine, 11msec
Vibration	10G, 20 to 2000Hz

ORDERING



Electrical Connections:

Outputs:	2	3/4	5
Red	+Supply	Red	+Supply
Black	-Supply	Black	Ground
White	-Output	White	Output
Green	+Output		



MEASUREMENT
SPECIALTIES

SUNSTAR 商斯达实业集团是集研发、生产、工程、销售、代理经销、技术咨询、信息服务等为一体的高科技企业，是专业高科技电子产品生产厂家，是具有 10 多年历史的专业电子元器件供应商，是中国最早和最大的仓储式连锁规模经营大型综合电子零部件代理分销商之一，是一家专业代理和分销世界各大品牌 IC 芯片和电子元器件的连锁经营综合性国际公司，专业经营进口、国产名厂名牌电子元件，型号、种类齐全。在香港、北京、深圳、上海、西安、成都等全国主要电子市场设有直属分公司和产品展示展销窗口门市部专卖店及代理分销商，已在全国范围内建成强大统一的供货和代理分销网络。我们专业代理经销、开发生产电子元器件、集成电路、传感器、微波光电元器件、工控机/DOC/DOM 电子盘、专用电路、单片机开发、MCU/DSP/ARM/FPGA 软件硬件、二极管、三极管、模块等，是您可靠的一站式现货配套供应商、方案提供商、部件功能模块开发配套商。商斯达实业公司拥有庞大的资料库，有数位毕业于著名高校——有中国电子工业摇篮之称的西安电子科技大学（西军电）并长期从事国防尖端科技研究的高级工程师为您精挑细选、量身订做各种高科技电子元器件，并解决各种技术问题。

更多产品请看本公司产品专用销售网站：

商斯达中国传感器科技信息网：<http://www.sensor-ic.com/>

商斯达工控安防网：<http://www.pc-ps.net/>

商斯达电子元器件网：<http://www.sunstare.com/>

商斯达微波光电产品网：[HTTP://www.rfoe.net/](http://www.rfoe.net/)

商斯达消费电子产品网：<http://www.icasic.com/>

商斯达实业科技产品网：<http://www.sunstars.cn/>

传感器销售热线：

地址：深圳市福田区福华路福庆街鸿图大厦 1602 室

电话：0755-83370250 83376489 83376549 83607652 83370251 82500323

传真：0755-83376182 (0) 13902971329 MSN: SUNS8888@hotmail.com

邮编：518033 E-mail:szss20@163.com QQ: 195847376

深圳赛格展销部：深圳华强北路赛格电子市场 2583 号 电话：0755-83665529 25059422

技术支持：0755-83394033 13501568376

欢迎索取免费详细资料、设计指南和光盘；产品凡多，未能尽录，欢迎来电查询。

北京分公司：北京海淀区知春路 132 号中发电子大厦 3097 号

TEL: 010-81159046 82615020 13501189838 FAX: 010-62543996

上海分公司：上海市北京东路 668 号上海赛格电子市场 2B35 号

TEL: 021-28311762 56703037 13701955389 FAX: 021-56703037

西安分公司：西安高新开发区 20 所(中国电子科技集团导航技术研究所)

西安劳动南路 88 号电子商城二楼 D23 号

TEL: 029-81022619 13072977981 FAX:029-88789382