

AVAILABLE
with Signature
Calibration
SEE PG. IN-5

Precision Pancake Load Cells

Models 41 and 43

HERMETIC, STAINLESS

5 to 500,000 lbs.



CENELEC
APPROVED



APPROVED
INTRINSICALLY
SAFE AMP



Model 41
Tension/Compression



Model 43
Compression Only

Models 41 and 43 are low profile "pancake" type load cells. These bonded foil, strain gage load cells are engineered to measure loads from 5 to 500,000 lbs. The tension/ compression Model 41 is designed with the threaded hole running completely through the center of the cell. Model 41 utilizes two stabilizing diaphragms, which are welded to the sensing member to reduce off-center and side-loading effects. The compression-only Model 43 has a load button which is fixed as an integral part of the load cell and cannot be removed or changed. Both models achieve impressive non-linearity, hysteresis, and repeatability specifications for such applications as tube mills, extruding processes and weighing. Each unit has a welded construction and can be hermetically sealed for added durability. **Models 41 and 43 are available with optional 0-5VDC or 4-20mA output.**

Dimensions

Model 41 (Order Code AL111)

Available Ranges*	D"	H"	F#	G" Dia. B.C.	K" Dia. Thru	T	A"	B"	C"
5; 10; 25 lbs.	2.50	.80	6	2.000	.19	1/4-28UNF	.82	.75	1.25
50; 100; 250; 500; 1000 lbs.	3.00	1.00	6	2.250	.28	3/8-24UNF	.82	.75	1.25
2000; 3000; 4000; 5000 lbs.	3.50	1.00	6	2.625	.34	1/2-20UNF	.82	.75	1.25
7500; 10,000; 15,000 lbs.	5.50	1.80	8	4.500	.40	1-14UNS	1.25	1.50	2.00
20,000; 30,000; 50,000 lbs.	6.00	1.80	8	4.875	.53	1-1/2-12UNF	1.25	1.50	2.00
75,000; 100,000 lbs.	9.00	2.50	12	7.750	.66	2-12UN	1.25	1.50	2.00
150,000; 200,000 lbs.	11.00	2.50	12	9.500	.78	2-1/2-12UN	1.25	1.50	2.00
300,000; 400,000; 500,000 lbs.	14.00	4.25	12	11.750	1.03	3-1/2-8UN	1.25	1.50	**

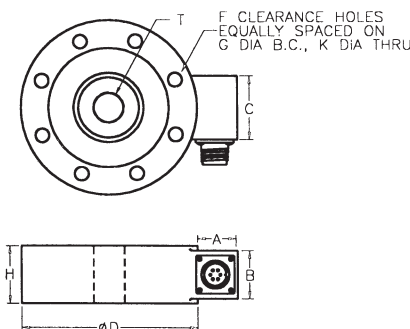
NOTES: * Stocked ranges are in bold.

** "C" dimension varies on high ranges. Consult SENSOTEC.

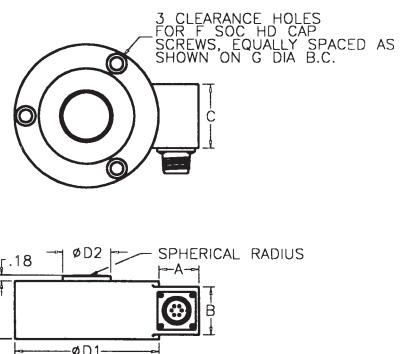
Bolt holes (K) are counter-bored for ranges 15,000 lbs. and below.

Models 41 and 43 load cells ≤ 25 lbs do not have overload stops. Consult SENSOTEC for custom cells with overload stops.

Model 41 (Tension/Compression)



Model 43 (Compression Only)



Model 43 (Order Code AL112)

Available Ranges	D1"	D2"	F	G"	A"	B"	C"
	Dia.	Dia.	H"	Typ. Dia. B.C.			
5; 10; 25 lbs.	2.50	.37	.98	#8	2.000	.82	.75 1.25
50; 100; 250; 500; 1000 lbs.	3.00*	.56	1.18	1/4	2.250	.82	.75 1.25
2000; 3000; 4000; 5000 lbs.	3.50	.69	1.18	5/16	2.625	.82	.75 1.25
7500; 10,000; 15,000; 20,000; 30,000 lbs.	4.50	1.50	2.00	3/8	3.790	1.25	1.50 2.00
50,000; 75,000; 100,000 lbs.	4.50	1.50	2.00	3/8	3.790	1.25	1.50 2.00
150,000; 200,000 lbs.	5.50	2.00	2.18	3/8	4.812	1.25	1.50 2.00
300,000 lbs.	7.00	2.50	2.68	3/8	6.000	1.25	1.50 2.00
400,000 lbs.	7.50	2.50	2.68	3/8	6.750	1.25	1.50 2.00
500,000 lbs.	11.00	4.75	4.50	3/4	9.500	1.25	1.50 2.00

* 3" diameter has six mounting holes.

Options (See Appendix)

Temperature compensated 1b, 1c, 1d, 1e, 1f; Int. shunt cal 8a; Special calibration (Model 41) 30a, 30b; Signature calibration 53e

Premium Options: 1i; 2a (Model 43≥50 lbs.), 2b (Model 41≥50 lbs.), 2c, 2j, 2q; 3a, 3c; 6a (≥5000 lbs.), 6e, 6f, 6g, 6h, 6i, 6j (≥7500 lbs.); 9a, 9b; Intrinsically safe amp 2n.

Accessories: Mating connectors and connector/cable assemblies; Pull plates; Load buttons.

	Model 41 (Tension/Compression) Order Code AL111	Model 43 (Compression only) Order code AL112	
PERFORMANCE	Load Ranges.....	5 to 500,000 lbs.	5 to 500,000 lbs.
	Non-Linearity (max)		
	5 to 25 lbs.	±0.2% F.S.	±0.2% F.S.
	50 to 500,000 lbs.	±0.1% F.S.	±0.1% F.S.
	Hysteresis (max)		
	5 to 25 lbs.	±0.1% F.S.	±0.1% F.S.
	50 to 500,000 lbs.	±0.08% F.S.	±0.08% F.S.
	Non-Repeatability (max)		
	5 to 25 lbs.	±0.1% F.S.	±0.1% F.S.
	50 to 500,000 lbs.	±0.03% F.S.	±0.03% F.S.
Output (standard)			
5 to 25 lbs.	2mV/V	2mV/V	
50 to 500,000 lbs.	3mV/V	3mV/V	
Resolution	Infinite	Infinite	
ENVIRONMENTAL	Temperature, Operating.....	-65° F to 250° F	-65° F to 250° F
	Temperature, Compensated	60° F to 160° F	60° F to 160° F
	Temperature Effect		
	- Zero (max)002% F.S./° F	.002% F.S./° F
	- Span (max)002% Rdg./° F	.002% Rdg./° F
ELECTRICAL	Strain Gage Type.....	Bonded foil	Bonded foil
	Excitation (calibration).....	10VDC	10VDC
	Excitation (acceptable).....	Up to 15VDC or AC	Up to 15VDC or AC
	Insulation Resistance.....	5000 megohms @ 50VDC	5000 megohms @ 50VDC
	Bridge Resistance.....	350 ohms	350 ohms
	Shunt Calibration Data.....	Included	Included
	Wiring Code (std).....	#2 (See P. AP-8)	#2 (See Pg. AP-8)
	Electrical Termination (std)		
	5 to 5000 lbs	PTIH-10-6P or equiv. (Hermetic stainless)	PTIH-10-6P or equiv. (Hermetic stainless)
	7500 to 500,000 lbs	MS3102E-14S-6P or equiv.	MS3102E-14S-6P or equiv.
Mating Connector (not incl.)			
5 to 5000 lbs	PT06A-10-6S or equiv.	PT06A-10-6S or equiv.	
7500 to 500,000 lbs	MS3106A-14S-6S or equiv.	MS3106A-14S-6S or equiv.	
MECHANICAL	Static Overload Capacity	50% over capacity	50% over capacity
	Thread Size.....	See "T" Dimension Info	N/A
	Maximum Extraneous Forces without damage.....	See table below	See table below
	Deflection—Full Scale.....	.003"	.003"
	Casing Material		
	5 to 200,000 lbs	17-4PH Stainless	17-4PH Stainless
	300,000 to 500,000 lbs	4340 Painted	17-4PH Stainless
	INTERNALLY AMPLIFIED UNITS* (Optional)	Outputs Available.....	±5VDC, 4-20mA

LOAD
PRECISION

NOTES: *Standard calibration for tension/compression load cells is in tension only. Internal amplifiers are available for all ranges. Internal amplification for ranges <5,000 lbs. ("H" dimension <1.80") may increase height. Using an in-line amplifier will avoid this height increase.

ALLOWABLE EXTRANEEOUS FORCE WITHOUT DAMAGE (% of load capacity)

Ranges	Side Load (lbs.)	Bending (lb-in)	Torque (lb-in)	Total Extraneous Force
5; 10; 25; 50; 100; 250; 500 lbs.	50%	40%	25%	100%
1000; 2000; 3000; 4000; 5000 lbs.	30%	25%	25%	100%
10,000; 15,000; 20,000; 30,000; 50,000 lbs.	20%	20%	15%	100%
100,000; 150,000; 200,000; 300,000; 400,000; 500,000 lbs.	20%	20%	10%	100%

General Information

How to order (See Pg. AP-19)
Load cell selection flow chart (see Pg. LO-1)

SUNSTAR 商斯达实业集团是集研发、生产、工程、销售、代理经销、技术咨询、信息服务等为一体的高科技企业，是专业高科技电子产品生产厂家，是具有 10 多年历史的专业电子元器件供应商，是中国最早和最大的仓储式连锁规模经营大型综合电子零部件代理分销商之一，是一家专业代理和分销世界各大品牌 IC 芯片和电子元器件的连锁经营综合性国际公司，专业经营进口、国产名厂名牌电子元件，型号、种类齐全。在香港、北京、深圳、上海、西安、成都等全国主要电子市场设有直属分公司和产品展示展销窗口门市部专卖店及代理分销商，已在全国范围内建成强大统一的供货和代理分销网络。我们专业代理经销、开发生产电子元器件、集成电路、传感器、微波光电元器件、工控机/DOC/DOM 电子盘、专用电路、单片机开发、MCU/DSP/ARM/FPGA 软件硬件、二极管、三极管、模块等，是您可靠的一站式现货配套供应商、方案提供商、部件功能模块开发配套商。商斯达实业公司拥有庞大的资料库，有数位毕业于著名高校——有中国电子工业摇篮之称的西安电子科技大学（西军电）并长期从事国防尖端科技研究的高级工程师为您精挑细选、量身订做各种高科技电子元器件，并解决各种技术问题。

更多产品请看本公司产品专用销售网站：

商斯达中国传感器科技信息网：<http://www.sensor-ic.com/>

商斯达工控安防网：<http://www.pc-ps.net/>

商斯达电子元器件网：<http://www.sunstare.com/>

商斯达微波光电产品网：[HTTP://www.rfoe.net/](http://www.rfoe.net/)

商斯达消费电子产品网：<http://www.icasic.com/>

商斯达实业科技产品网：<http://www.sunstars.cn/>

传感器销售热线：

地址：深圳市福田区福华路福庆街鸿图大厦 1602 室

电话：0755-83370250 83376489 83376549 83607652 83370251 82500323

传真：0755-83376182 (0) 13902971329 MSN: SUNS8888@hotmail.com

邮编：518033 E-mail:szss20@163.com QQ: 195847376

深圳赛格展销部：深圳华强北路赛格电子市场 2583 号 电话：0755-83665529 25059422

技术支持：0755-83394033 13501568376

欢迎索取免费详细资料、设计指南和光盘；产品凡多，未能尽录，欢迎来电查询。

北京分公司：北京海淀区知春路 132 号中发电子大厦 3097 号

TEL: 010-81159046 82615020 13501189838 FAX: 010-62543996

上海分公司：上海市北京东路 668 号上海赛格电子市场 2B35 号

TEL: 021-28311762 56703037 13701955389 FAX: 021-56703037

西安分公司：西安高新开发区 20 所(中国电子科技集团导航技术研究所)

西安劳动南路 88 号电子商城二楼 D23 号

TEL: 029-81022619 13072977981 FAX:029-88789382