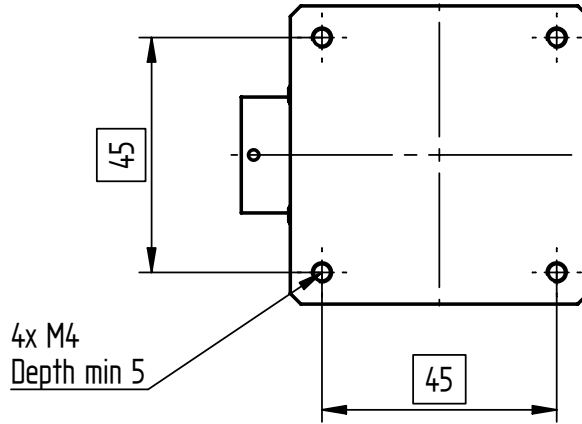
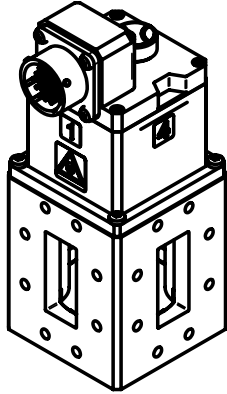
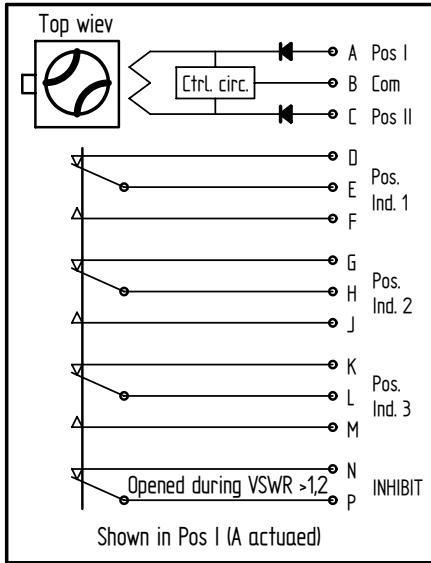
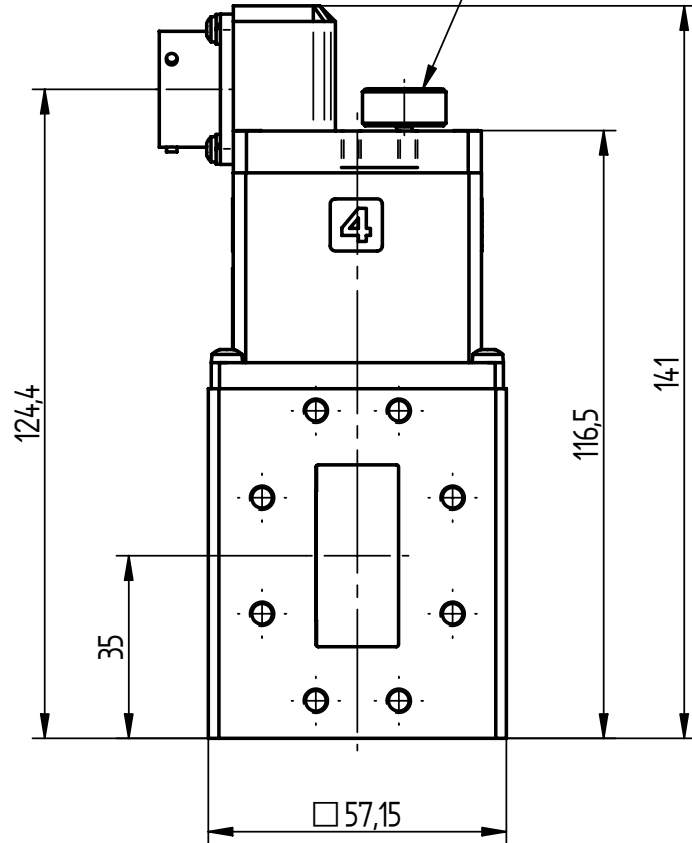


CAD-dokument
Får ej revideras manuellt

Issue	Modification	Date	Sign.	Chkd.
C	Tapped holes changed to 10-32 UNF-2B, Isolation 75dB was 50dB.	010301	CEL	HW
D	ECO	2003-1016	HNg	HW



MANUAL OVERRIDE



CAUTION!
ESD SENSITIVE

This document is our property and shall not without our written permission be altered, copied or communicated to a third party.

© SIVERS LAB AB

Drawing principle	SS 1902	UNLESS OTHERWISE STATED THE FOLLOWING APPLIES: General tolerances, linear and angular dimensions: ISO 2768-c - - Europ. proj.	Ref.	001012	Sign.	CEL
Tolerancing principle	ISO 8015		Chkd.	001018	Sign.	AK
Dimensions in mm			Appvd.	001018	Sign.	HW
SIVERS	Title		Designed	Sheet 1 (2)		
	WAVEGUIDE SWITCH WR137/R70/WG14 Latching		Scale	1:1,5	Issue D	
			Doc. no.	WS8186J/00		

Reference HNg	Approved HW	Origin date 2000-01-12	Issue date 2003-11-05	Issue D	Page 2 (2)	Document WS 8186J/00
------------------	----------------	---------------------------	--------------------------	------------	---------------	--------------------------------

RF DATA

Frequency range	5.85 – 8.2 GHz
VSWR	1.1
Insertion loss	0.1 dB
Isolation	75 dB
Peak power	350 kW at 0.1 MPa abs., +25°C
Average power	4 kW
Flange interface	MIL-DTL-3922/52C-040 Modified with 10-32 UNF, thread depth min 8

ACTUATOR DATA

Operating voltage	28±3 V DC
Operating current	1 A, Self cut off
Switching time	250 ms
Duty (min time between successive operations)	500 ms -20°C to +40°C linearly increasing to 2 s at +70°C
Connector	MS 3112E 14-19P
Mating connector	MS 3116F 14-19S or eq.

POSITION INDICATOR

Voltage / Current	30 V Max, 100 mA Max Resistive load
Position indicator	Three sets of C-form contacts and one set of inhibit contact, opened during VSWR >1.2

MECHANICAL DATA

Material	Aluminium alloy, Cu free
Finishing	Chromate per MIL-C-5541 and black painted
Air pressure	0.1 MPa overpr. Max
Air leakage	10 cm ³ /min (0.1 MPa overpr.) Max
Weight	0.7 kg Max
Life	250 000 actuations

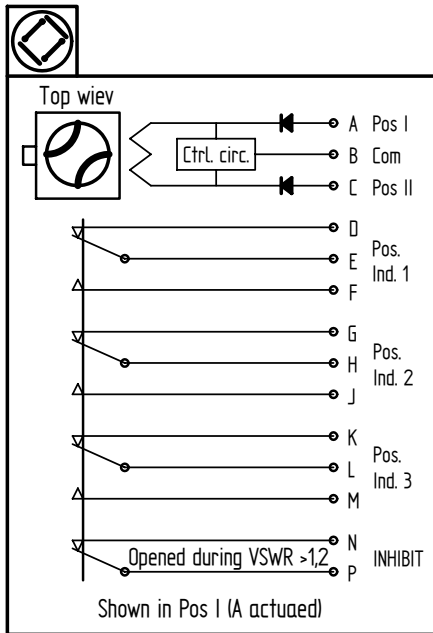
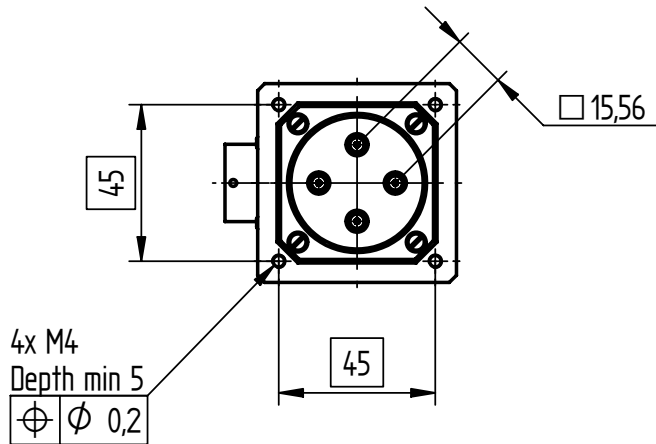
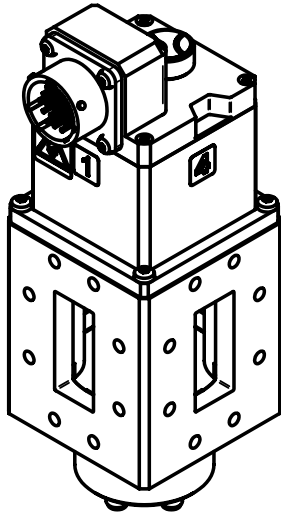
ENVIRONMENTAL DATA

Ambient temperature	-20°C to +70°C
Vibration	5 – 18 Hz, 3 mm amplitude 18 – 2000 Hz, 15 g
Humidity	100%RH if dry air in waveguide

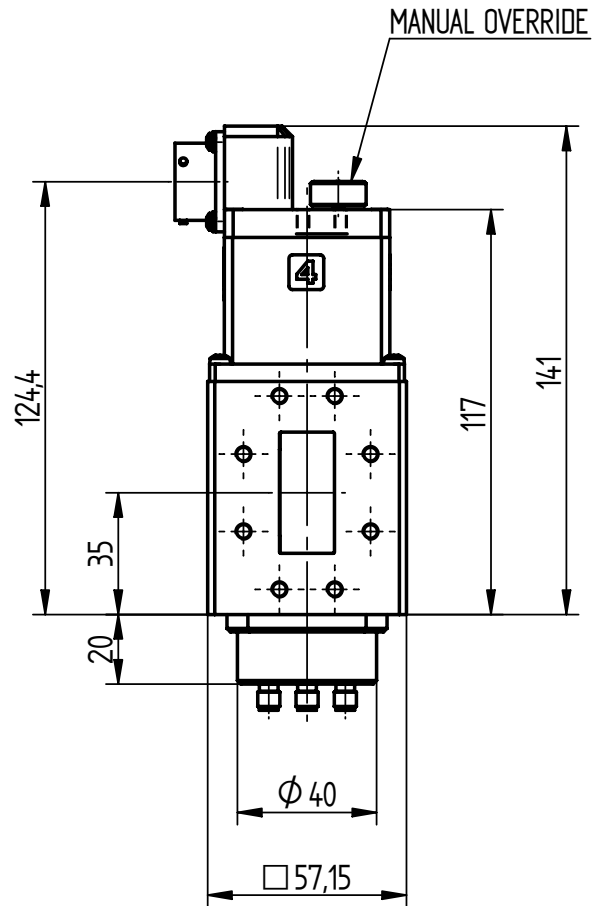
WS 8186J/00

CAD-dokument
Får ej revideras manuellt

Issue	Modification	Date	Sign.	Chkd.
C	Flange for attaching coax twisted 45°	030710	MTR	HW
D	ECO	2003-1016	HNg	HW



CAUTION!
ESD SENSITIVE



Drawing principle	SS 1902	UNLESS OTHERWISE STATED THE FOLLOWING APPLIES: General tolerances, linear and angular dimensions: ISO 2768-c • Europ. proj.	Ref.	021114	Sign.	CEL
Tolerancing principle	ISO 8015		Chkd.		Sign.	HW
Dimensions in mm			Appvd.		Sign.	HW
SIVERS	Title		Designed	Sheet 1 (2)		
	WAVEGUIDE SWITCH WR137/R70/WG14 Latching with COAX DPDT		Scale	1:1,5	Issue	D
			Doc. no.	WS8186J/70		

© SIVERS LAB AB

Reference HNg	Approved HW	Origin date 2002-11-14	Issue date 2003-11-05	Issue D	Page 2 (2)	Document WS 8186J/70
------------------	----------------	---------------------------	--------------------------	------------	---------------	-------------------------

RF DATA

Waveguide

Frequency range	5.85 – 8.2 GHz
VSWR	1.1
Insertion loss	0.1 dB
Isolation	75 dB
Peak power	350 kW at 0.1 MPa abs., +25°C
Average power	4 kW
Flange interface	MIL-DTL-3922/52C-040 Modified with 10 – 32 UNF-2B, thread depth min 8

Coax

Frequency range	5.85 – 8.2 GHz
VSWR	1.3
Insertion loss	0.5 dB
Isolation	60 dB
Peak power	5 kW
Average power	15 W max
Coax connector	SMA-female

Isolation, waveguide-coax	120 dB
---------------------------	--------

ACTUATOR DATA

Operating voltage	28±3 V DC
Operating current	1 A, Self cut off
Switching time	250 ms
Connector	MS 3112E 14-19P
Mating connector	MS 3116F 14-19S or eq.

POSITION INDICATOR

Voltage / Current	30 V Max, 100 mA Max Resistive load
Position indicator	Three sets of C-form contacts and one set of inhibit contact, opened during VSWR >1.2

MECHANICAL DATA

Material	Aluminium alloy; Cu-free
Finishing	Chromate per MIL-C-5541
Air pressure	0.1 MPa overpr. Max
Air leakage	10 cm ³ /min (0.1 MPa overpr.) Max
Weight	0.7 kg Max
Life	250 000 actuations

ENVIRONMENTAL DATA

Ambient temperature	-20°C to +70°C
Vibration	5 – 18 Hz, 3 mm amplitude 18 – 2000 Hz, 15 g
Humidity	100%RH if dry air in waveguide

WS 8186J/70