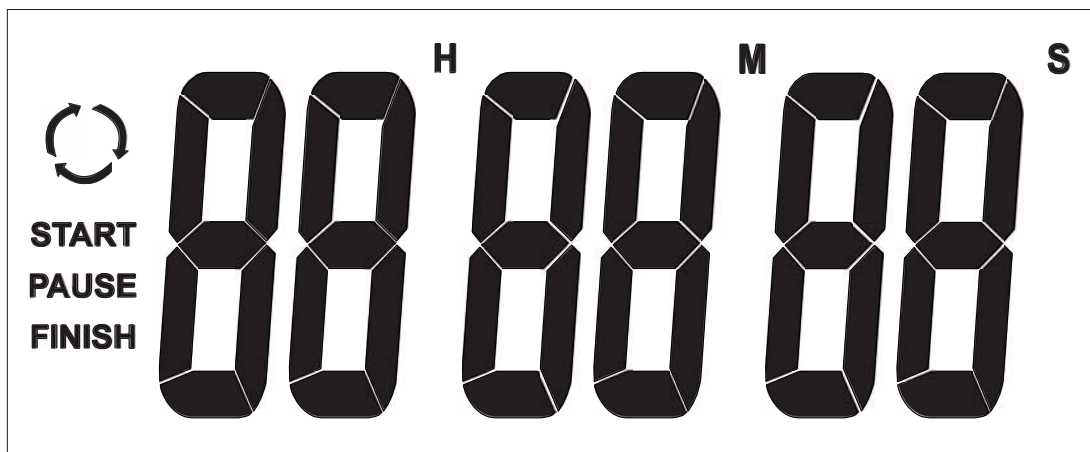


Downcount Timer



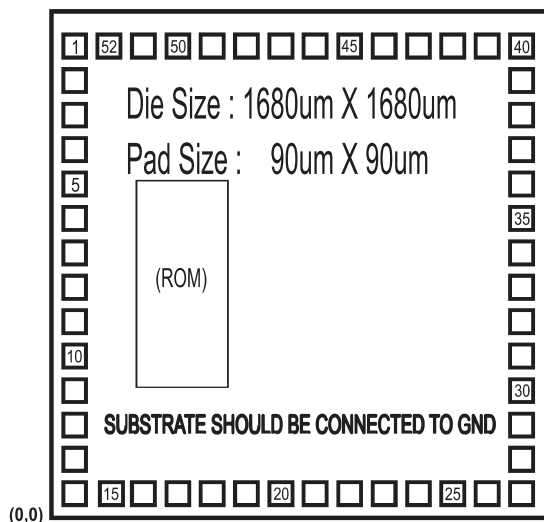
A) OPERATIONS

- 1) 1.5V Operate
- 2) Low Power Consumption
- 3) One Key, Two Key, Three Key or Four Key Operation
- 4) Soldering Option Default Four Digit ,Six Digit

AND

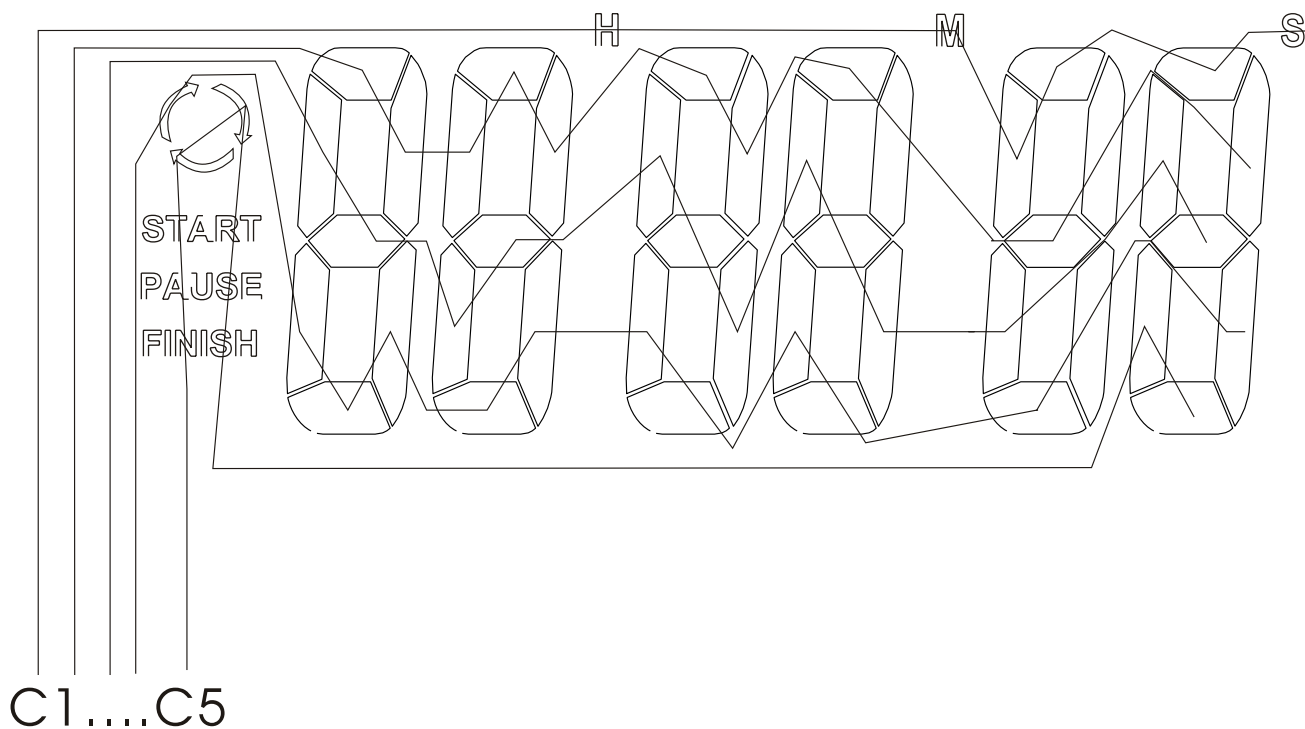
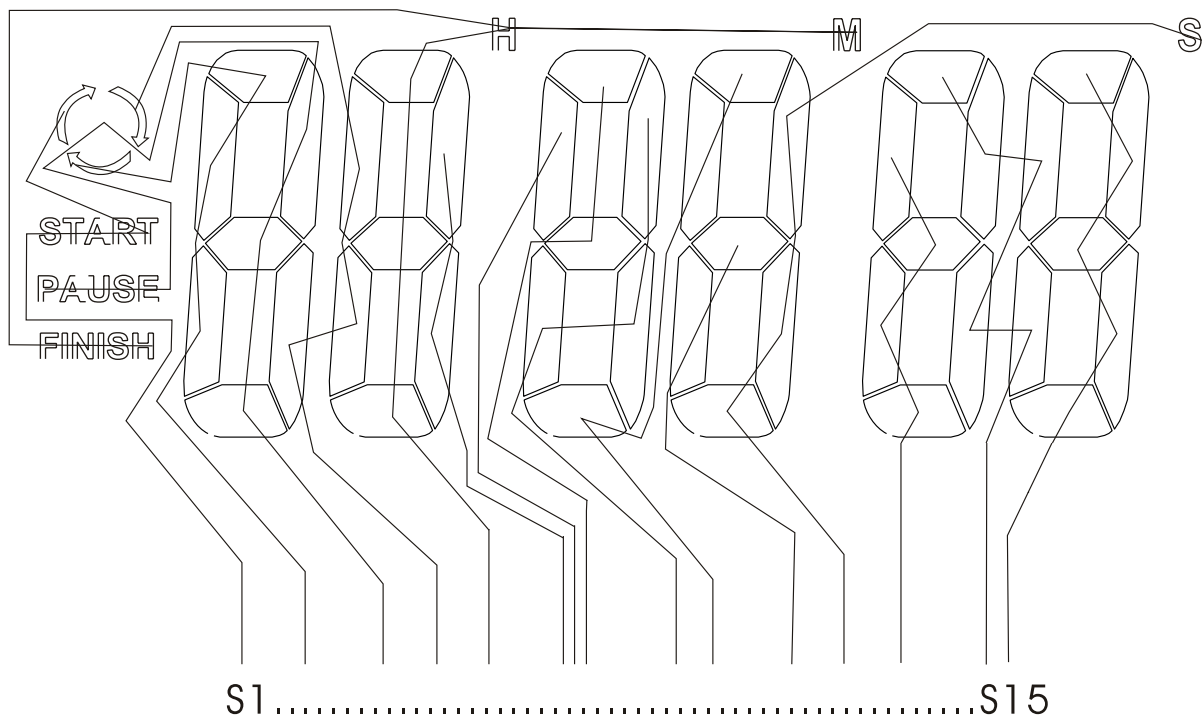
Three Soldering Option Default Any Time 01H 00M 00S - 99H 99M 00S or
01H 00M - 99H 99M or
01M 00S - 99M 99S

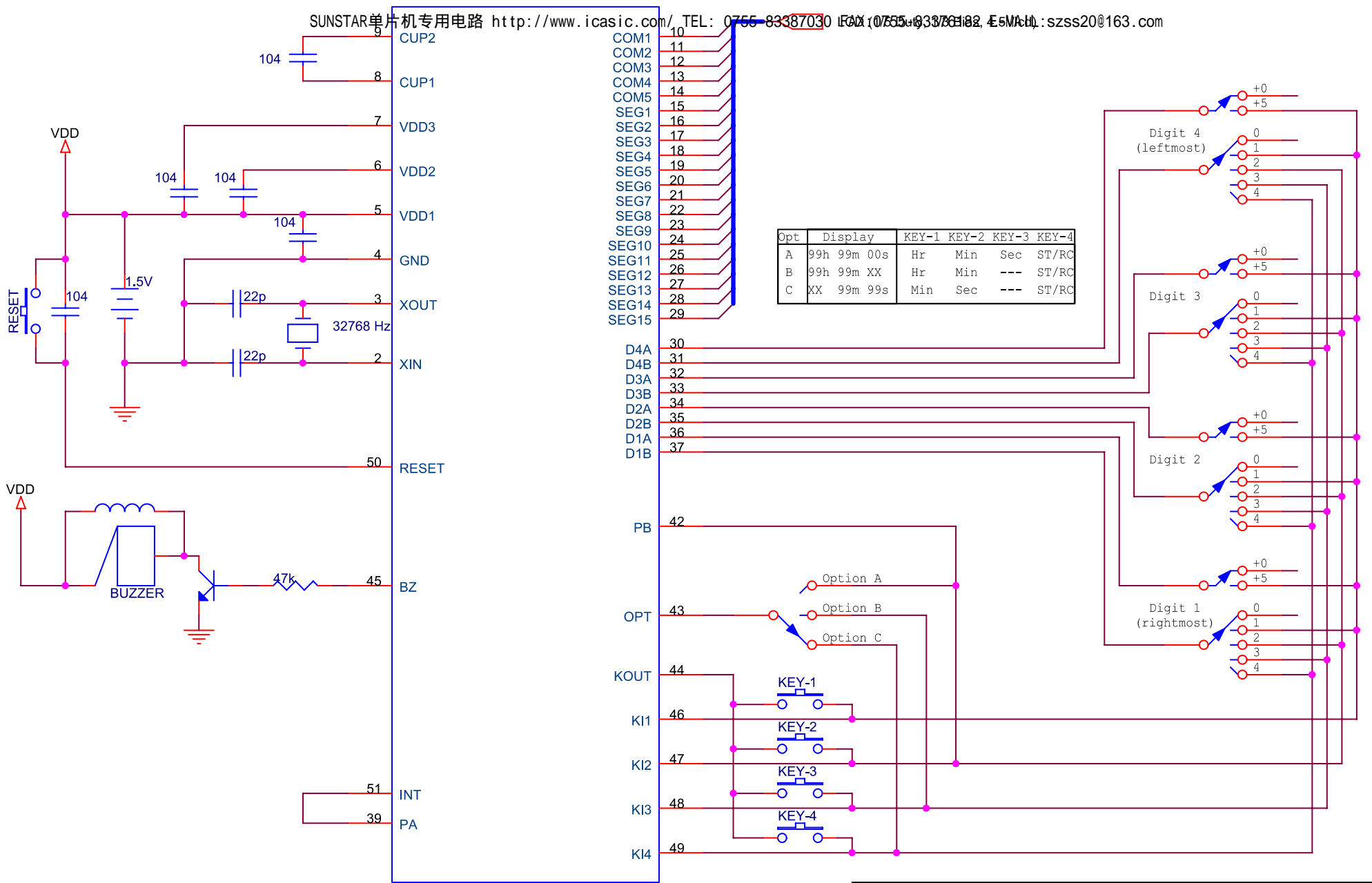
- 5) Press the Hour Key to Setting Hours
Press the Minute Key to Setting Minutes
Press the Second Key to Setting Seconds
Press the Start/Stop Key to Start Down Counting
Press the Key to Pause, Press Again to Continue
Hold the Key to Recall the Default Time
- 6) Corresponding Icons will be Turned On
- 7) Buzzer Sounds for 1 Minutes when Count to Zero



NO	NAME	X	Y	NO	NAME	X	Y
1	N.C.	77.5	1602.5	27	SEG13	1602.5	77.5
2	XIN	77.5	1472.5	28	SEG14	1602.5	207.5
3	XOUT	77.5	1357.5	29	SEG15	1602.5	322.5
4	GND	77.5	1242.5	30	D4A	1602.5	437.5
5	VDD1	77.5	1127.5	31	D4B	1602.5	552.5
6	VDD2	77.5	1012.5	32	D3A	1602.5	667.5
7	VDD3	77.5	897.5	33	D3B	1602.5	782.5
8	CUP1	77.5	782.5	34	D2A	1602.5	897.5
9	CUP2	77.5	667.5	35	D2B	1602.5	1012.5
10	COM1	77.5	552.5	36	D1A	1602.5	1127.5
11	COM2	77.5	437.5	37	D1B	1602.5	1242.5
12	COM3	77.5	322.5	38	N.C.	1602.5	1357.5
13	COM4	77.5	207.5	39	PA	1602.5	1472.5
14	COM5	77.5	77.5	40	N.C.	1602.5	1602.5
15	SEG1	207.5	77.5	41	N.C.	1472.5	1602.5
16	SEG2	322.5	77.5	42	PB	1357.5	1602.5
17	SEG3	437.5	77.5	43	OPT	1242.5	1602.5
18	SEG4	552.5	77.5	44	KOUT	1127.5	1602.5
19	SEG5	667.5	77.5	45	BZ	1012.5	1602.5
20	SEG6	782.5	77.5	46	KI1	897.5	1602.5
21	SEG7	897.5	77.5	47	KI2	782.5	1602.5
22	SEG8	1012.5	77.5	48	KI3	667.5	1602.5
23	SEG9	1127.5	77.5	49	KI4	552.5	1602.5
24	SEG10	1242.5	77.5	50	RESET	437.5	1602.5
25	SEG11	1357.5	77.5	51	INT	322.5	1602.5
26	SEG12	1472.5	77.5	52	N.C.	207.5	1602.5

1/5 Duty, 1/3 Bias, 4.5 Vlcd





Opt	Display	KEY-1	KEY-2	KEY-3	KEY-4
A	99h 99m 00s	Hr	Min	Sec	ST/RC
B	99h 99m XX	Hr	Min	---	ST/RC
C	XX 99m 99s	Min	Sec	---	ST/RC

Title		
Size A	Document Number	Rev 1.4