

Features

The thermopile sensor consists of a series of 116 thermoelements, forming a sensitive region size of 545 μm (diameter). The sensor is hermetically sealed into a TO-5 metal housing, with an optical filter. This standard filter allows measurements to be made in the spectral range above 5 μm wavelength. The thermosensor exhibits an almost white noise, comparable to an ohmic resistance. It has a constant signal versus frequency up to its frequency limit, and is directly proportional to incident radiation. The thermopile sensors are featured with an additional temperature reference resistor on the same chip. The standard version of temperature reference resistor is housing connected to ground.

Applications

- * Ear thermometers; clinic thermometers
- * Infrared thermometers
- * Consumer applications: hair dryer, micro-wave oven, air conditioner, refrigerator
- * Continuous temperature control of manufacturing
- * Security system
- * Radiation monitor switch system
- * Absorbing measurement for gas analysis
- * Thermoelectric converter
- * Heat flux flowmeter



Since 1983

Tel: 086-755-83376549
Fax: 086-755-83338339
<http://www.sunstare.com/>

Electrical Characteristics

Parameter	Condition	Min.	Typ.	Max.	Unit
Thermopile					
Number of thermojunctions		—	116	—	
Chip size		—	1740*1740	—	μm^2
Active region size	Interference layer	—	Diameter 545	—	μm
Thickness of substrate	Silicon-substrate	600	625	650	μm
Resistance of thermopile	25	50	65	80	K
Sensitivity	With 5-14 μm filter	70	85	100	V/W
Detecctivity		$1.0*10^8$	$1.3*10^8$	$1.7*10^8$	$\text{cm}^2/\text{Hz}^{1/2}/\text{W}$
Time constant		—	16	—	ms
Noise voltage		28	32	36	$\text{nV}/\text{Hz}^{1/2}$
NEP		0.28	0.36	0.48	$\text{nW}/\text{Hz}^{1/2}$
Temperature range	Operation	-20	—	100	
Temperature reference resistor					
Resistance (1)	25	29.1	30.0	30.9	K
value (1)	0°C/50	3773	3811	3849	K

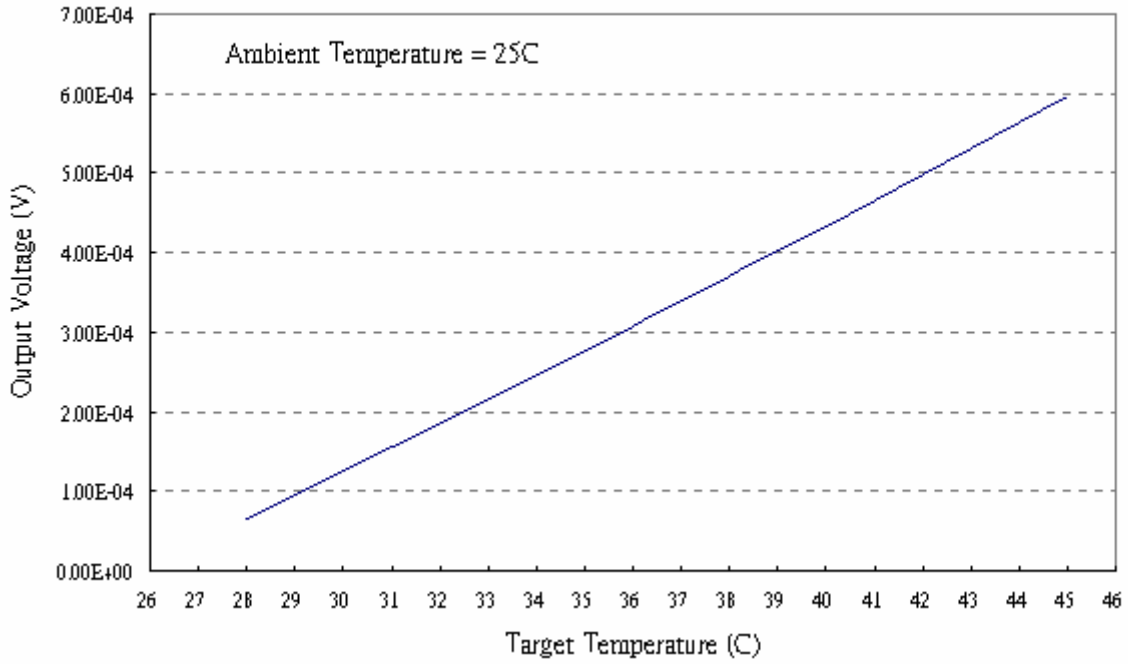
Measured at 1 Hz chopper frequency, within spectral range 5-14 μm , using a blackbody radiator of 500K temperature.

Note : Thermistor should be operated under 1mA.

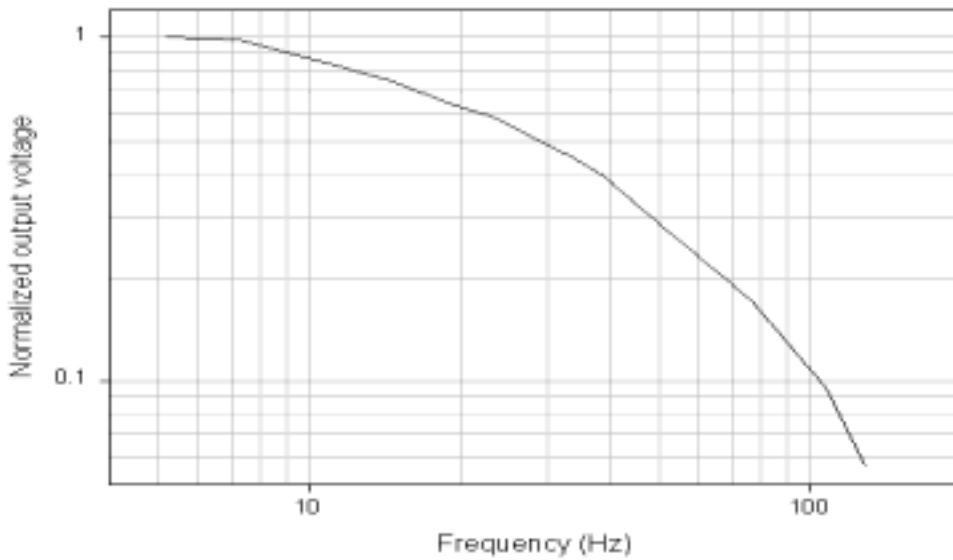


Since 1983

Thermopile voltage vs. blackbody temperature



Frequency response

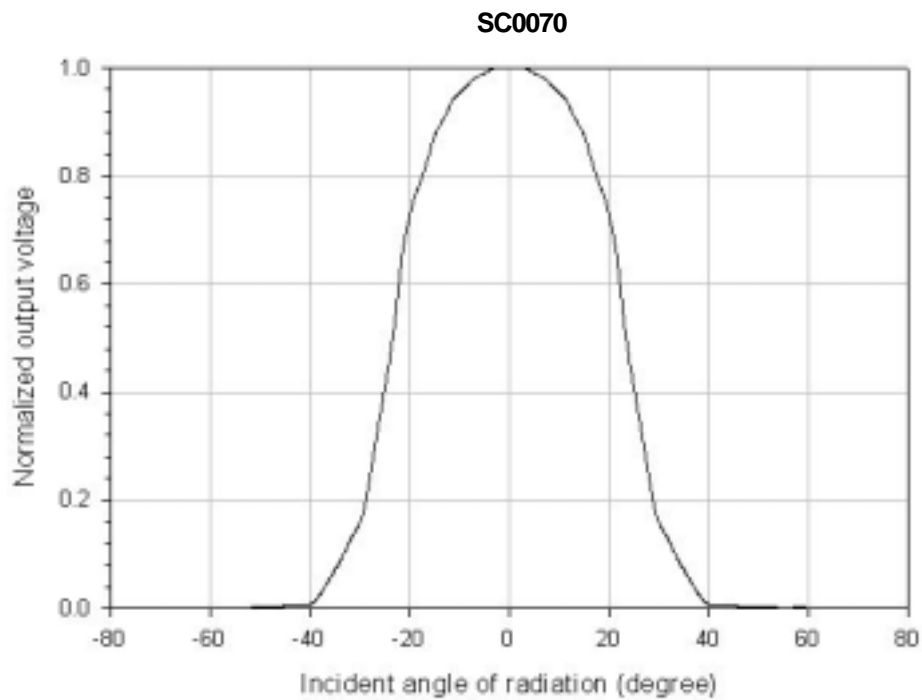


Since 1983

SUNSTAR SC0070

Field of view

1) window size: 2.57mm (diameter)

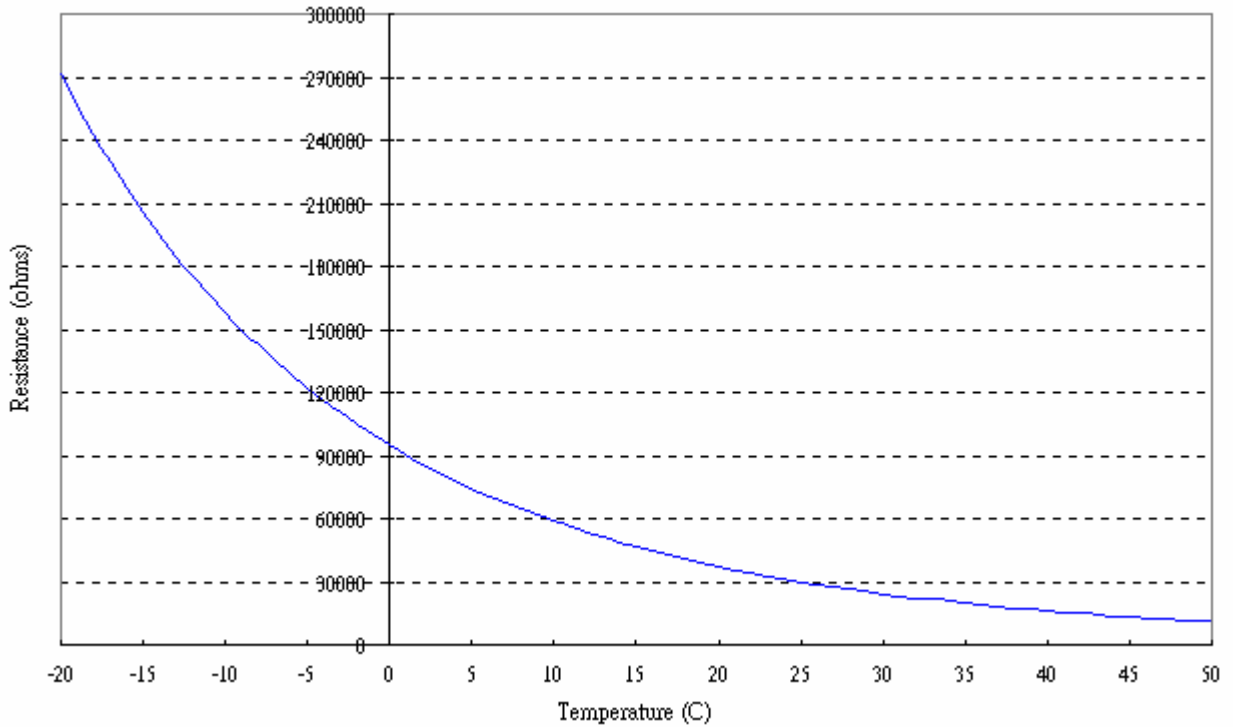
**Thermistor vs. temperature**

The resistance of the temperature reference resistor varies with temperature and the behaviour is illustrated in the following figure.



Since 1983

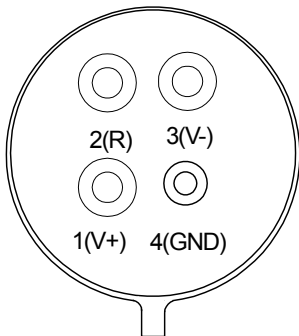
SUNSTAR SC0070



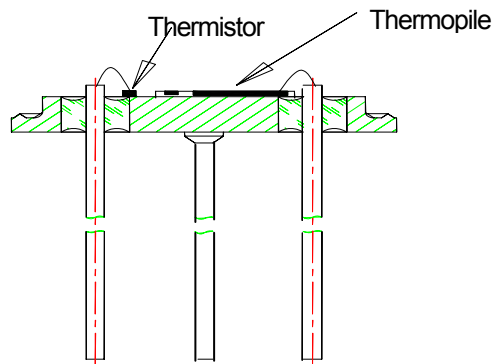
At temperature 25 , $R(T)=R_{25}e^{\left[\frac{1}{T}-\frac{1}{T_{25}}\right]}$ describes the resistance vs. temperature, where R_{25} is the resistance at ambient temperature 25 and T, T_{25} are the ambient temperatures in unit of kelvin degrees.

Pin assignment & description

- 2 thermistor pin
- 4 thermistor pin (GND)
- 1 thermopile output pin (+)
- 3 thermopile output pin (-)



BACKSIDE VIEW



SIDE VIEW

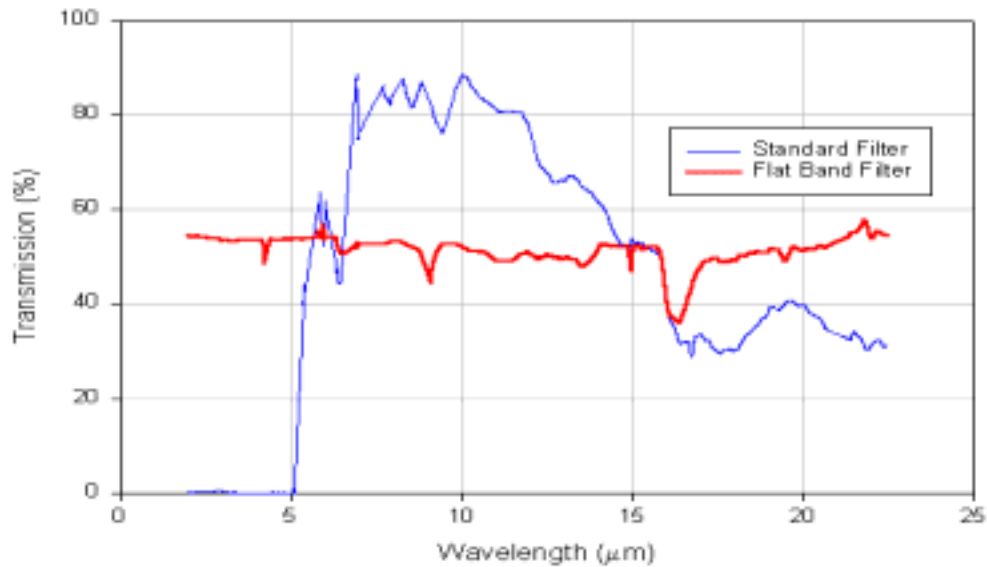


Since 1983

SUNSTAR SC0070

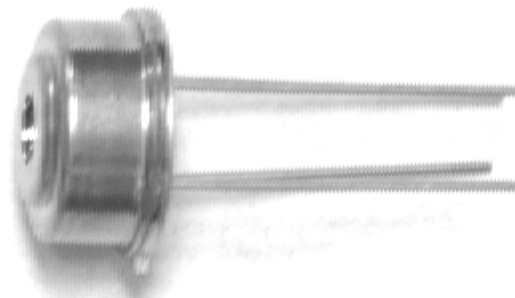
Transmission of filter

Transmission of optical filter is measured by FTIR from 2 μm



Package

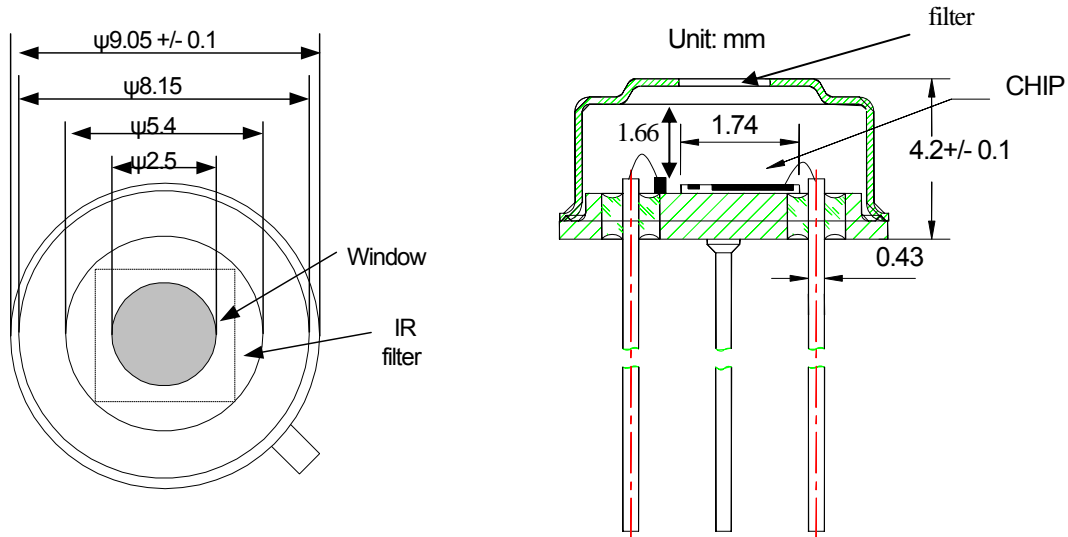
The sensor is hermetically sealed into a TO-5 metal housing, with an optical filter. This standard filter allows measurements to be made in the spectral range above 5 μm wavelength. The dimensions of header and cap are shown below.



Since 1983

SUNSTAR SC0070

SC0070



Since 1983

SUNSTAR SC0070

深圳市商斯达实业有限公司荣誉出品

欢迎索取免费详细资料、设计选型指南和光盘、样品；产品繁多未能尽录，欢迎来电查询。

[中国传感器科技信息网：HTTP://WWW.SENSOR-IC.COM/](http://WWW.SENSOR-IC.COM/)

[工控安防网：HTTP://WWW.PC-PS.NET/](http://WWW.PC-PS.NET/)

[消费电子专用电路网：HTTP://WWW.SUNSTARE.COM/](http://WWW.SUNSTARE.COM/)

E-MAIL：xjr5@163.com szss20@163.com

MSN：suns8888@hotmail.com

QQ：195847376

地址：深圳市福田区福华路福庆街鸿图大厦 1602 室

电话：0755-83376549 83376489 83387030 83387016

传真：0755-83376182 83338339 邮编：518033 手机：(0)13902971329

深圳展销部：深圳华强北路赛格电子市场 2583 号 TEL/FAX：
0755-83665529 25059422

北京分公司：北京海淀区知春路 132 号中发电子大厦 3097 号

TEL：010-81159046 82615020 13501189838 FAX：010-82613476

上海分公司：上海市北京东路 668 号上海赛格电子市场 2B35 号

TEL：021-28311762 56703037 13701955389 FAX：021-56703037

西安分公司：西安高新开发区 20 所(中国电子科技集团导航技术研究所)

西安劳动南路 88 号电子商城二楼 D23 号

TEL：029-81022619 13072977981 FAX:029-88789382

成都：TEL:(0)13717066236

技术支持：0755-83394033 13501568376