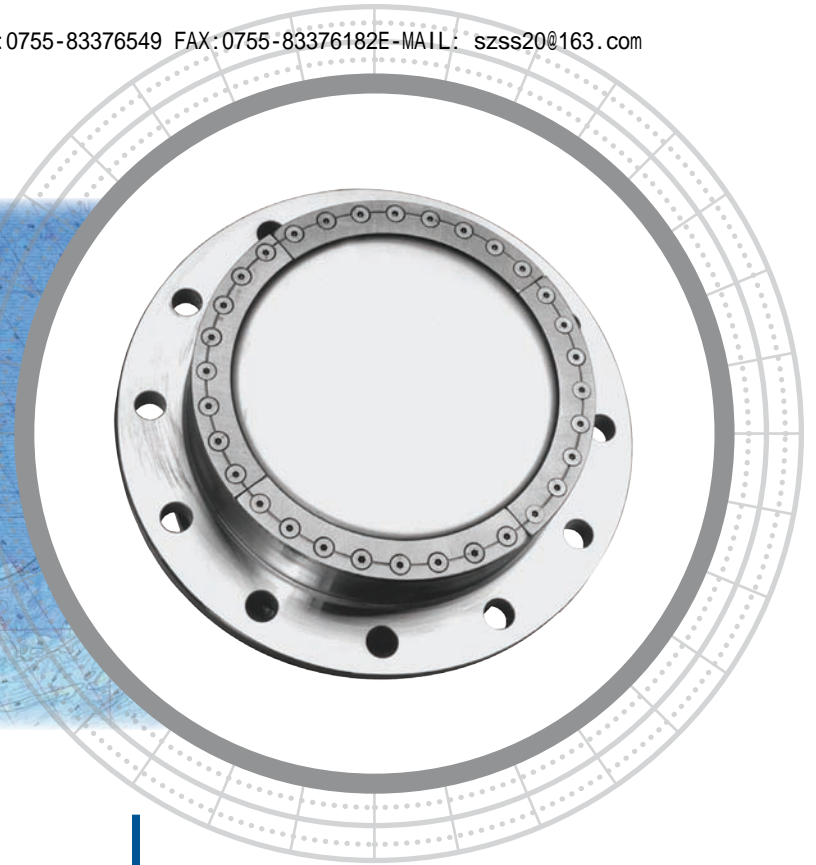


CS229



High-Strength for Harsh Environments

The high-strength, cast-steel CS229 stands up to harsh environments. It has been designed to facilitate service or repair. The transformer can be accessed from the top of the housing for a quick, field repair or impedance change. The transducer is removable from the outer, thru-hull housing and can be replaced while a vessel is underway.

Options

- Impedance to customer's specifications using matching transformer
- Available as special-order unit with 12 kHz, 24 kHz, 28 kHz, 30 kHz, 33 kHz, 38 kHz, or 50 kHz array

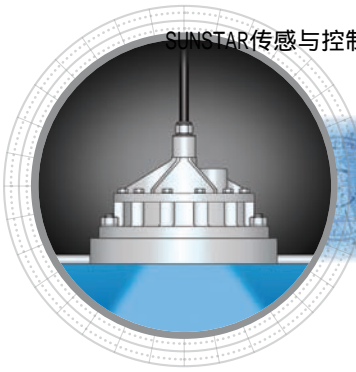
Thru-Hull 1.5 - 2.1 kW

Applications

- Large, steel-hull vessels
- Harsh environments including ice filled water
- Navigation and survey
- Steel hulls only

Features

- Versatile housing accommodates variety of frequencies for most navigation and survey requirements
- Low-ringing arrays provide good bottom detail in deep-water
- Available with stainless steel or "acoustically transparent", urethane window, depending on the frequency
- Features inner, CS234 transducer and outer, CS229, thru-hull housing



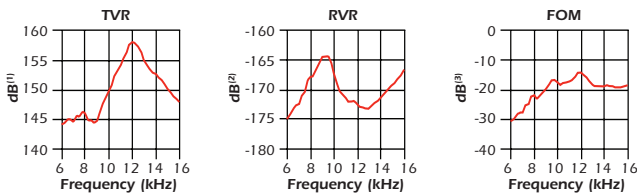
Technical Information

Frequencies	Configuration	Beamwidth (@-3 dB)	RMS Power (W)	FOM (dB)	Q	Series Impedance (R-jX)
12 kHz-B		42°	2.1 kW	-14	7	185-j0(t)
24 kHz-AA		20°	1.5 kW	-14	3	150-j0(t)
28 kHz-R		18°	2 kW	-9	5	120-j0(t)
28/50 kHz-F		17° / 11°	2 kW	Call	Call	Call
50 kHz-N		13°	2 kW	-8	9	60-j0(t)
200 kHz-AF		3°	3 kW	-3	18	60-j0(t)

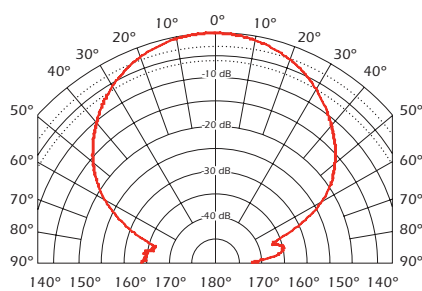
Technical Data—12 kHz-B

TVR in dB re 1μPa/Volt at 1 m

RVR in dB re 1 Volt/μPa



Directivity Pattern—12 kHz-B



SPECIFICATIONS

Weight: Varies depending on configuration (Call for weight)

Acoustic Window:

Urethane—28 kHz to 200 kHz
Stainless steel—12 kHz to 24 kHz

Cable Type: C-43

Shielded twisted pair (2-14 AWG) with braided shield, black neoprene jacket, 10 mm (13/32") diameter

DIMENSIONS

