



Data sheet

# Temperature transmitter

## Type MBT 9110



The MBT 9110 temperature transmitter can be used for converting the Pt 100 / Pt 1000 ohm signal or the thermo couple mV signal to a 4 – 20 mA signal.

The MBT 9110 is a very durable and reliable temperature transmitter with all major marine approvals and can be used together with all our sensors based on Pt or Thermocouple technology.

MBT 9110 transmitters in the standard program are delivered in an enclosure, but are also used as an integrated part of certain temperature sensors. The transmitter is available as standard or galvanic isolated with or without EEx approval.

### Features

- 2-wire universal transmitter for industrial and maritime applications
- Pt 100, Pt 1000 or thermocouple input
- 4 – 20 mA standard output - with or without galvanic isolation
- For mounting in DIN B connection head, heightened lid or in a separate enclosure
- Advanced sensor fault indication
- Temperature linearized

### Approvals

Lloyds Register of Shipping, LR  
 Germanischer Lloyd, GL  
 Det Norske Veritas, DNV

Nippon Kaiji Kyokai, NKK  
 China Classification Society, CCS  
 Bureau Veritas, BV

**Data sheet****Temperature transmitter, type MBT 9110****Technical data***Performance*

Primary accuracy	Pt 100 <math>< \pm 0.3 \text{ }^\circ\text{C}</math> Thermocouple type E, J, K, L, N, T, U <math>< \pm 1.0 \text{ }^\circ\text{C}</math> Thermocouple type B, R, S <math>< \pm 2.0 \text{ }^\circ\text{C}</math>
Linearity error	<math>< 0.1\% \text{ FS}</math>
Temp. coefficient	<math>< \pm 0.01\% \text{ FS} / \text{ }^\circ\text{K}_{\text{amb}}</math>
Response time	Programmable 1 – 60 sec. 1 sec. standard
Cold solder point compensation (CJC)	<math>< \pm 1.0 \text{ }^\circ\text{C}</math>
Warm-up time	5 min.
Update time	440 ms
Effect of sensor cable resistance (3/4 wires)	<math>< 0.002 \text{ } \Omega / \Omega</math>

 $K_{\text{amb}}$  = Ambient temperature change*Electrical specifications*

Supply voltage	8 – 35 V d.c.	
Effect of supply voltage variation	<math>< 0.005\% \text{ FS} / \text{ V d.c.}</math>	
Output	4 – 20 mA current loop	
Sensor fault indication	Namur NE43 upscale 23 mA	
Input	Standard	Pt 100 (EN 60751) 2, 3 - wire -200 – 800 °C Pt 1000 (EN 60751) 2, 3 - wire
	Galvanic isolation	Pt 100 (EN 60751) 2, 3, 4 - wire -200 – 800 °C Pt 1000 (EN 60751) 2, 3 - wire Thermocouple (EN 60584)
Signal/noise ratio	Min. 60 dB	
Max. lead cross-section	1 × 1.5 mm <sup>2</sup>	
Max. cable resistance	5 Ω / core	

*Environmental conditions*

Insulation voltage	1500 V a.c.
EMC	EN 61326-1
Vibration/shock	IEC 60068-2-6 / IEC 60068-2-84
Vibration	4 g / 2 – 100 Hz
Humidity	0 – 98% RH, according to IEC 60068-1, IEC 60068-2-2
Ambient temperature	-40 – 85 °C
Protection (housing/terminals)	IP68 / IP00
In separate enclosure	IP54

*Mechanical characteristics*

Max. offset	50% of max. input value (Pt 100: 400 °C) (Thermocouple, type R: 650 °C)
Net weight	In heightened lid for B-head: 0.080 kg In a separate enclosure: 0.360 kg

**Data sheet**

**Temperature transmitter, type MBT 9110**

**Ordering standard**

Type MBT 9110		Transmitter	
<b>Application</b>	Marine	0	0 0
<b>Size</b>	Standard	0	1 1
<b>Sensor element</b>	Pt 100 resistance element	0	2 2
	Thermocouple, Type K, NiCr-Ni	5	3 3
	Pt 1000 resistance element	D	4 4
	Other	9	5 5
<b>Connections</b>	2 wires	A	6 6
	3 wires <sup>1)</sup>	B	7 7
	4 wires	C	8 8
			9 9
			0
			1
			0
			9
			G
			H
			A
			B
			D
			E
			M
			O

<b>Transmitter setting, end of range</b>	0 °C (or none)
	1. digit defines 100's
	2. digit defines 10's
Examples :	Temperature range 220 °C = 22
	Temperature range 150 °C = 15
	Other
<b>Transmitter setting, start of range</b>	None
	0 °C
	-50 °C
	Other
<b>Transmitter type: As terminal block</b>	Standard
	Galvanically isolated
<b>In hightened lid</b>	Standard
	Galvanically isolated
<b>In separate enclosure</b>	Standard
	Galvanically isolated
<b>In separate enclosure with metal cover</b>	Standard
	Galvanically isolated

<sup>1)</sup> Type standard is always 3 wire

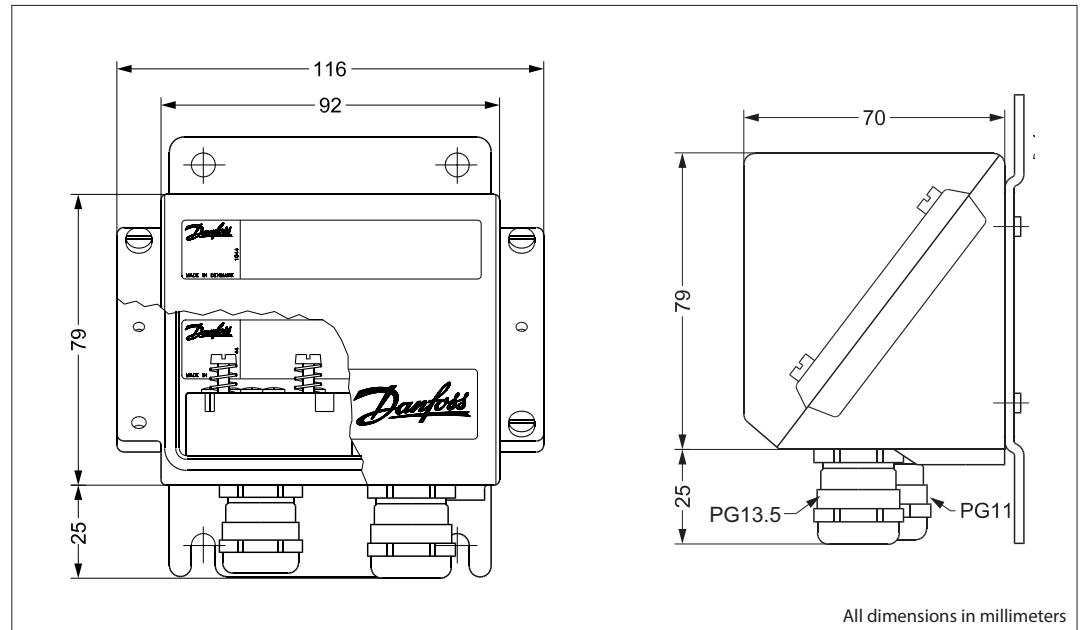
Preferred versions

**Data sheet**

**Temperature transmitter, type MBT 9110**

**Dimensions**

*In separate enclosure*



*In separate enclosure*

