

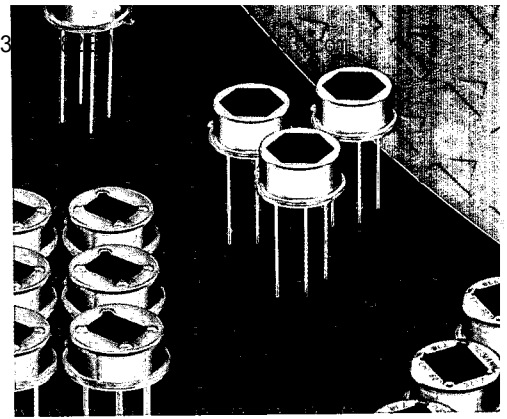
# Pyroelectric IR Detectors

## LHi 954, LHi 958

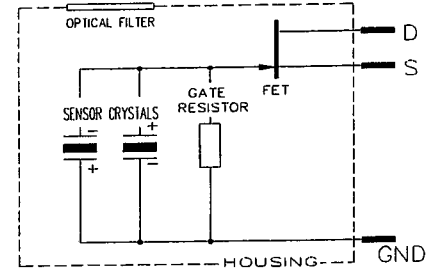
Dual Element Detector

High Reliability

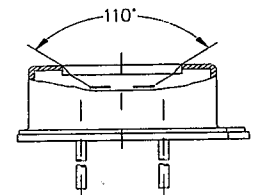
Well Proven Design



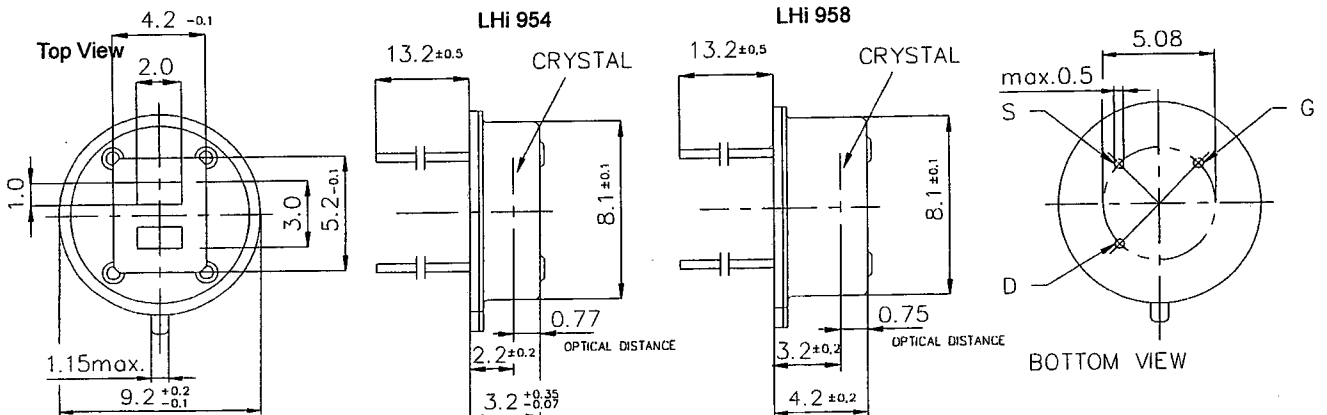
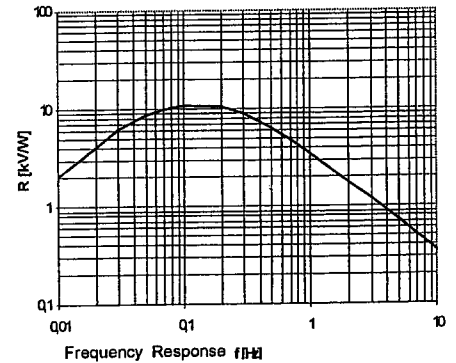
The LHi 954 and LHi 958 pyroelectric infrared-detectors have been a world standard for more than 10 years. They both are dual element types with Fet in source follower connection. The LHi 954 detector is available in TO-39 housing with standard infrared filter whereas the LHi 958 is the same detector in a TO-5 hous with standard infrared filter. It offers a highly stable responsivity with excellent common mode performance (match) and low noise .



Dual Element Detector	LHI 954/ LHI 958				
	min	typical	max	units	condition
Element size		2x1		mm	2 elements
Responsivity	3 000	3 700		V/W	1Hz Bw, 100°C, 1 Hz
Match		5	10	%	
Noise		20	50	µVpp	25°C, 0.3...10Hz
Offset Voltage	0,2		1,5	V	25°C, 47k
NEP		$8,1 \times 10^{-10}$	$25 \times 10^{-10}$	W/√Hz	1Hz Bw, 100°C, 1 Hz
D*	$5,6 \times 10^7$	$17,5 \times 10^7$		cm √Hz/W	1Hz Bw, 1 Hz
Output Impedance		5	10	kΩ	47kΩ Load Res
Operating Voltage	2		15	V	R = 47kΩ, 25°C
Field of View, horizontal		110°			unobstructed
vertical		110°			unobstructed
Operating Temperature	-40		75	°C	non permanent
Storage Temperature	-40		80	°C	non permanent



Field of View



Right for Modification reserved / WSI/ 12.5.2000