

M. Katsuki November 28, 1995

SHARP

ISSUE November 28, 1995

APPROVED BY: DATE:

J. Yoshikawa Nov 28 1995

ELECTRONIC COMPONENTS
GROUP SHARP CORPORATION

PAGE 10 Pages

REPRESENTATIVE DIVISION

SPECIFICATION

OPTO-ELECTRONIC
DEVICES DIV.

DEVICE SPECIFICATION FOR

Business dealing name

PHOTOCOUPLER

MODEL No.

PC817

O	PC817XI	PC817XI6
	PC817XI1	PC817XI7
	PC817XI2	PC817XI8
	PC817XI3	PC817XI9
	PC817XI4	PC817XI0
	PC817XI5	

1. These specification sheets include the contents under the copyright of Sharp Corporation ("Sharp"). Please keep them with reasonable care as important information. Please don't reproduce or cause anyone reproduce them without Sharp's consent.

2. Please obey the instructions mentioned below for actual use of this device.
SHARP takes no responsibility for damage caused by improper use of the devices.

(1) This device is designed for general electronic equipment.
Main uses of this device are as follows;

[• Computer • OA equipment • Telecommunication equipment (Terminal)
• Measuring equipment • Tooling machine • AV equipment • Home appliance, etc.]

(2) Please take proper steps in order to maintain reliability and safety, in case this device is used for the uses mentioned below which require high reliability.

[• Unit concerning control and safety of a vehicle (air plane, train, automobile etc.)
• Traffic signal • Gas leak detection breaker • Fire box and burglar alarm box
• Other safety equipment, etc.]

(3) Please do not use for the uses mentioned below which require extremely high reliability.

[• Space equipment • Telecommunication equipment (Trunk)
• Nuclear control equipment • Medical equipment etc.]

Contact a SHARP representative of sales office in advance when you intend to use SHARP devices for any applications other than those applications for general electronic equipment recommend by SHARP at (1).

CUSTOMER'S APPROVAL

DATE
PRESENTED
BY

J. M.

DATE

BY

T. Matsumura,
Department General Manager of
Engineering Dept.,II
Opto-Electronic Devices Div.
ELECOM Group

REFERENCE

1. Application

This specification applies to the outline and characteristics of photocoupler Model No. PC817series.

2. Outline

Refer to the attached drawing No. CY7073K02.

3. Ratings and characteristics

Refer to the attached sheet, page 3 to 6.

4. Reliability

Refer to the attached sheet, page 7.

5. Incoming inspection

Refer to the attached sheet, page 8.

6. Supplement

6.1 Isolation voltage shall be measured in the following method.

- (1) Short between anode to cathode on the primary side and between collector to emitter on the secondary side.
- (2) The dielectric withstand tester with zero-cross circuit shall be used.
- (3) The wave form of applied voltage shall be a sine wave.
(It is recommended that the isolation voltage be measured in insulation oil.)

REFERENCE

6.2 Business dealing name

("O" mark indicates business dealing name of ordered product)

Ordered product	Business dealing name	Rank mark	Ic (mA)
O	PC817XI	A, B, C, D or no mark	2.5 to 30
	PC817XI1	A	4.0 to 8.0
	PC817XI2	B	6.5 to 13
	PC817XI3	C	10 to 20
	PC817XI4	D	15 to 30
	PC817XI5	A or B	4.0 to 13
	PC817XI6	B or C	6.5 to 20
	PC817XI7	C or D	10 to 30
	PC817XI8	A, B or C	4.0 to 20
	PC817XI9	B, C or D	6.5 to 30
	PC817XI0	A, B, C or D	4.0 to 30

Test conditions
$I_F=5mA$
$V_{CE}=5V$
$T_a=25^{\circ}C$

6.3 This Model is approved by UL.

Approved Model No. : PC817

UL file No. : E64380

6.4 This product is not designed against irradiation.

This product is assembled with electrical input and output.

This product incorporates non-coherent light emitting diode.

7. Notes

Refer to the attached sheet-1-1, 2.

REFERENCE

3. Ratings and characteristics

3.1 Absolute maximum ratings

Ta=25°C

Parameter		Symbol	Rating	Unit
Input	*1 Forward current	I_F	50	mA
	*2 Peak forward current	I_{FM}	1	A
	Reverse voltage	V_R	6	V
	*1 Power dissipation	P	70	mW
Output	Collector-emitter voltage	V_{CEO}	35	V
	Emitter-collector voltage	V_{ECO}	6	V
	Collector current	I_c	50	mA
	*1 Collector power dissipation	P_c	150	mW
*1 Total power dissipation		P_{tot}	200	mW
*3 Isolation voltage		V_{iso}	5	kVrms
Operating temperature		T_{opr}	-30 to +100	°C
Storage temperature		T_{stg}	-55 to +125	°C
*4 Soldering temperature		T_{sol}	260	°C

*1 The derating factors of absolute maximum ratings due to ambient temperature are shown in Fig. 1 to 4.

*2 Pulse width $\leq 100 \mu s$, Duty ratio : 0.001 (Refer to Fig. 5)

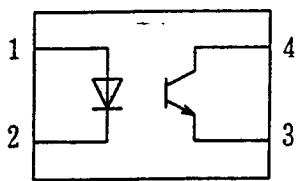
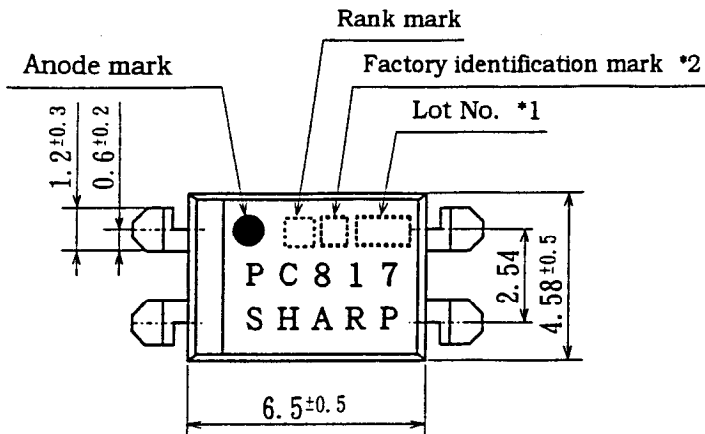
*3 AC for 1 min, 40 to 60%RH

*4 For 10 s

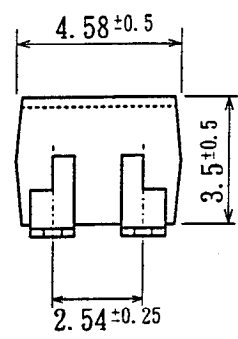
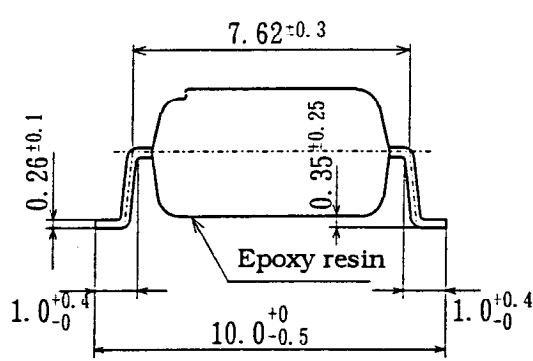
3.2 Electro-optical characteristics

Parameter		Symbol	Condition	MIN.	TYP.	MAX.	Unit
Input	Forward voltage	V_F	$I_F=20\text{mA}$	-	1.2	1.4	V
	Peak forward voltage	V_{FM}	$I_{FM}=0.5\text{A}$	-	-	3.0	V
	Reverse current	I_R	$V_R=4\text{V}$	-	-	10	μA
	Terminal capacitance	C_t	$V=0, f=1\text{kHz}$	-	30	250	pF
Output	Dark current	I_{CEO}	$V_{CE}=20\text{V}, I_F=0$	-	-	100	nA
	Collector-emitter breakdown voltage	BV_{CEO}	$I_C=0.1\text{mA}$ $I_F=0$	35	-	-	V
	Emitter-collector breakdown voltage	BV_{ECO}	$I_E=10\mu\text{A}, I_F=0$	6	-	-	V
Transfer characteristics	Collector current	I_C	$I_F=5\text{mA}, V_{CE}=5\text{V}$	2.5	-	30	mA
	Collector-emitter saturation voltage	$V_{CE(sat)}$	$I_F=20\text{mA}$ $I_C=1\text{mA}$	-	0.1	0.2	V
	Isolation resistance	R_{ISO}	DC500V 40 to 60%RH	5×10^{10}	10^{11}	-	Ω
	Floating capacitance	C_f	$V=0, f=1\text{MHz}$	-	0.6	1.0	pF
	Cut-off frequency	f_c	$V_{CE}=5\text{V}, I_C=2\text{mA}$ $R_L=100\Omega, -3\text{dB}$	-	80	-	kHz
	Rise time	t_r	$V_{CE}=2\text{V}$ $I_C=2\text{mA}$ $R_L=100\Omega$	-	4	18	μs
	Fall time	t_f		-	3	18	μs

REF ID: A51751 November 28, 1995
 MODEL No. PC817XI
 PAGE 5/8



Pin Nos. and internal connection diagram

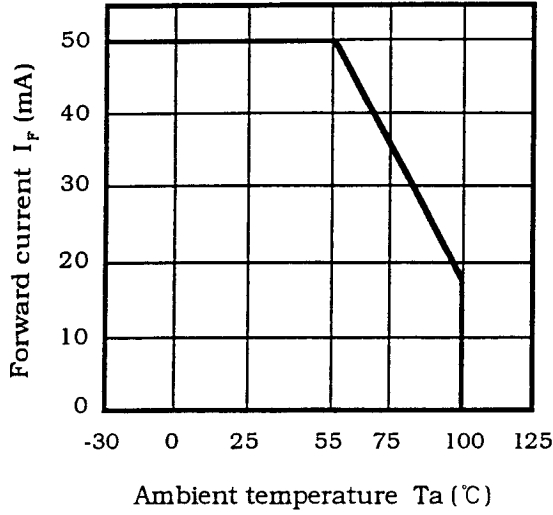


- *1) 2-digit number shall be marked according to DIN standard.
- *2) Factory identification mark shall be or shall not be marked.
- *3) Marking is laser marking

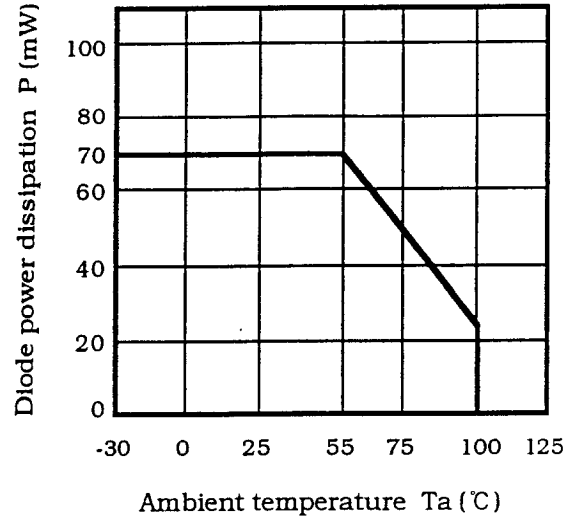
UNIT: 1/1 mm	
Name	PC817 Outline Dimensions (Business dealing name: PC817XI)
Drawing No.	szss2001/03/02 0167033K02

REFERENCE

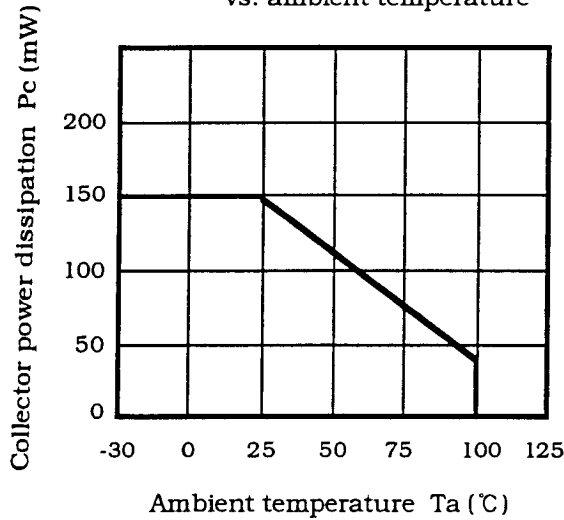
(Fig. 1) Forward current vs. ambient temperature



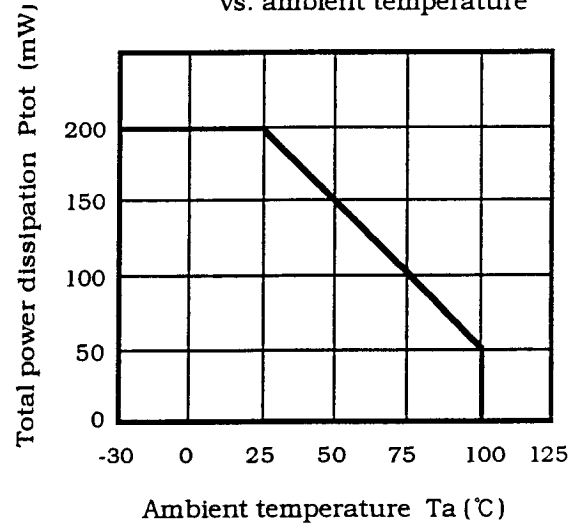
(Fig. 2) Diode power dissipation vs. ambient temperature



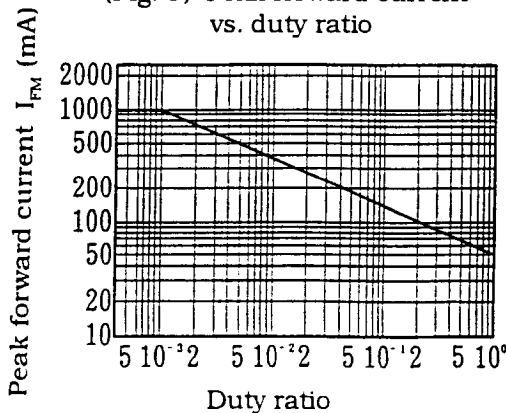
(Fig. 3) Collector power dissipation vs. ambient temperature



(Fig. 4) Total power dissipation vs. ambient temperature



(Fig. 5) Peak forward current vs. duty ratio



Pulse width $\leq 100 \mu s$
 $T_a = 25^\circ C$

REFERENCE

4. Reliability

The reliability of products shall be satisfied with items listed below.

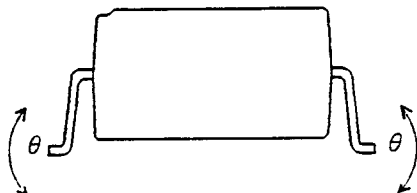
Confidence level : 90%
 LTPD : 10%/20%

Test Items	Test Conditions *1	Failure Judgement Criteria	Samples (n)	
			Defective(C)	
Solderability *2	230°C, 5 s	—	n=11, C=0	
Soldering heat	260°C, 10 s	U : Upper specification limit L : Lower specification limit	n=11, C=0	
Terminal strength (Tension)	Weight : 5N 5 s/each terminal		$V_F > U \times 1.2$	n=11, C=0
Terminal strength (Bending) *3	Weight : 2.5N 2 times/each terminal		$I_R > U \times 2$	n=11, C=0
Mechanical shock	15000m/s ² , 0.5ms 3 times/ ±X, ±Y, ±Z direction		$I_{CEO} > U \times 2$ $I_C < L \times 0.7$	n=11, C=0
Variable frequency vibration	100 to 2000 to 100Hz/4min 200m/s ² 4 times/ X, Y, Z direction		$V_{CE(sat)} > U \times 1.2$	n=11, C=0
Temperature cycling	1 cycle -55°C to +125°C (30min) (30min) 20 cycles test			n=22, C=0
High temp. and high humidity storage	+60°C, 90%RH, 1000h			n=22, C=0
High temp. storage	+125°C, 1000h			n=22, C=0
Low temp. storage	-55°C, 1000h			n=22, C=0
Operation life	$I_F=50mA$, $P_{tot}=200mW$ $T_a=25°C$, 1000h			n=22, C=0

*1 Test method, conforms to JIS C 7021.

*2 Solder shall adhere at the area of 95% or more of immersed portion of lead and pin hole or other holes shall not be concentrated on one portion.

*3 Terminal bending direction is shown below.



SHARP CORPORATION

ED-95151	November 28, 1995
MODEL No. PC817XI	PAGE 8/8

REFERENCE

5. Incoming inspection

5.1 Inspection items

(1) Electrical characteristics

$V_F, I_R, I_{CEO}, V_{CE(sat)}, I_C, R_{ISO}, V_{iso}$

(2) Appearance

5.2 Sampling method and Inspection level

A single sampling plan, normal inspection level II based on ISO 2859 is applied. The AQL according to the inspection items are shown below.

Defect	Inspection item	AQL (%)
Major defect	Electrical characteristics Unreadable marking	0.1
Minor defect	Appearance defect except the above mentioned.	0.4

ED:95151	November 28, 1995
MODEL No. PC817XI	PAGE Attach sheet-1-1

NET-ENGINE

Precautions for Photocouplers

1 For cleaning

- (1) Solvent cleaning : Solvent temperature 45°C or less
Immersion for 3 min or less
- (2) Ultrasonic cleaning : The affect to device by ultrasonic cleaning is different by cleaning bath size, ultrasonic power output, cleaning time, PWB size or device mounting condition etc. Please test it in actual using condition and confirm that doesn't occur any defect before starting the ultrasonic cleaning.

Applicable solvent : Ethyl alcohol, Methyl alcohol
Freon TE · TF, Diflon-solvent S3-E

Please refrain form using Chloro Fluoro Carbon type solvent to clean device as much as possible since it is internationally restricted to protect the ozonosphere. Before you use alternative solvent you are requested to confirm that it does not attack package resin.

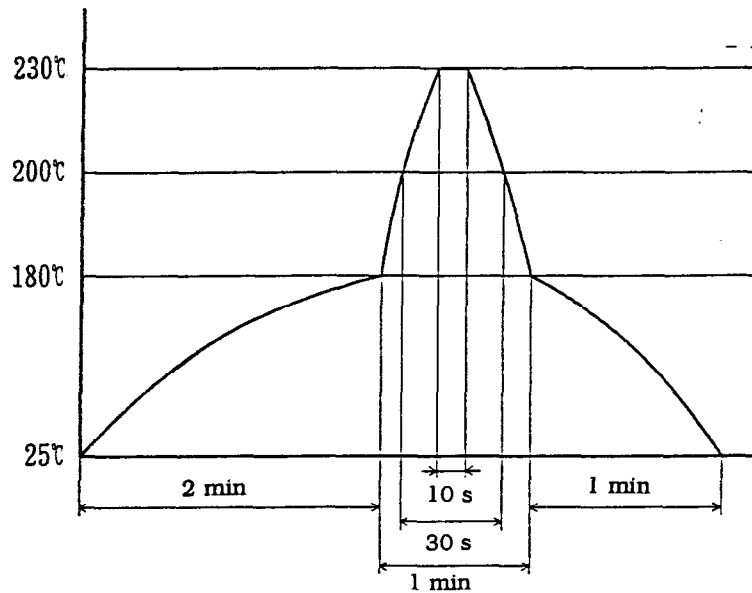
- 2. The LED used in the Photocoupler generally decreases the light emission power by operation. In case of long operation time, please design the circuit with considering the degradation of the light emission power of the LED. (50%/5years)

REFERENCE

3. Precaution for Soldering Photocoupler

(1) If solder reflow :

It is recommended that only one soldering be done at the temperature and the time within the temperature profile as shown in the figure.



(2) Other precautions

An infrared lamp used to heat up for soldering may cause a localized temperature rise in the resin. So keep the package temperature within that specified in Item (1). Also avoid immersing the resin part in the solder.