

TOSHIBA PHOTO TRANSISTOR SILICON NPN EPITAXIAL PLANAR

TPS618

PHOTO TRANSISTOR FOR PHOTO INTERRUPTER

Unit in mm

PHOTOELECTRIC COUNTER

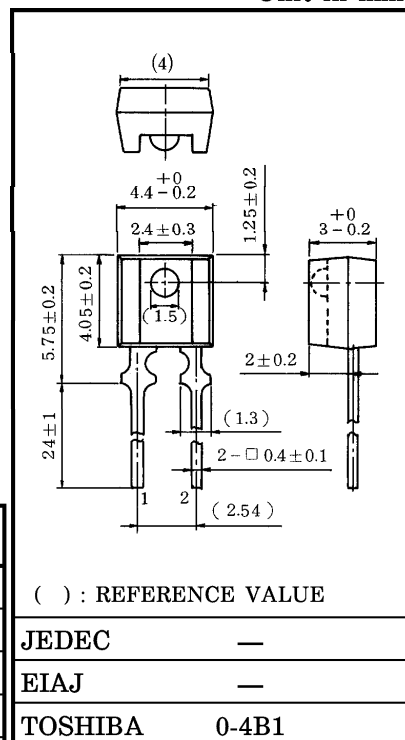
POSITION AND ROTATIONAL SPEED SENSOR

AUTOMATIC CONTROL UNIT

- Fast response speed
- The same external shape as the infrared LED TLN107A, and is best suited for combination with TLN107A as a photo interrupter.
- Visible light cut type (black package)

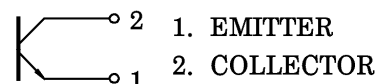
MAXIMUM RATINGS (Ta = 25°C)

CHARACTERISTIC	SYMBOL	RATING	UNIT
Collector-Emitter Voltage	V _{CEO}	30	V
Emitter-Collector Voltage	V _{ECO}	5	V
Collector Current	I _C	50	mA
Collector Power Dissipation	P _C	75	mW
Collector Power Dissipation Derating (Ta > 25°C)	ΔP _C / °C	-1	mW / °C
Operating Temperature Range	T _{opr}	-25~85	°C
Storage Temperature Range	T _{stg}	-40~100	°C



Weight : 0.16g (TYP.)

PIN CONNECTION



OPTO-ELECTRICAL CHARACTERISTICS (Ta = 25°C)

CHARACTERISTIC	SYMBOL	TEST CONDITION	MIN.	TYP.	MAX.	UNIT
Dark Current	I _D (I _{CEO})	V _{CE} = 24V, E = 0	—	0.005	0.1	μA
Light Current (Note 1)	I _L	V _{CE} = 3V, E = 0.1mW / cm ² (Note 2)	27	70	—	μA
Collector-Emitter Saturation Voltage	V _{CE} (sat)	I _C = 10μA, E = 0.1mW / cm ² (Note 2)	—	0.15	0.4	V
Switching Time	Rise Time	V _{CC} = 5V, I _C = 2mA, R _L = 100Ω	—	6	—	μs
	Fall Time		—	6	—	
Peak Sensitivity Wavelength	λ _P	—	—	870	—	nm
Half Value Angle	θ _{1/2}	—	—	±15	—	°

- Note 1. I_L Classification A : 27~80μA, B : 55~165μA
 2. Color temperature = 2870°K, Standard Tungsten Lamp

961001EAA2

● TOSHIBA is continually working to improve the quality and the reliability of its products. Nevertheless, semiconductor devices in general can malfunction or fail due to their inherent electrical sensitivity and vulnerability to physical stress. It is the responsibility of the buyer, when utilizing TOSHIBA products, to observe standards of safety, and to avoid situations in which a malfunction or failure of a TOSHIBA product could cause loss of human life, bodily injury or damage to property. In developing your designs, please ensure that TOSHIBA products are used within specified operating ranges as set forth in the most recent products specifications. Also, please keep in mind the precautions and conditions set forth in the TOSHIBA Semiconductor Reliability Handbook.

PRECAUTION

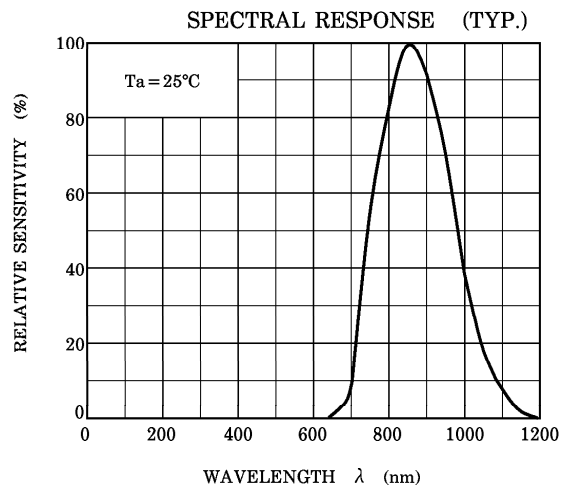
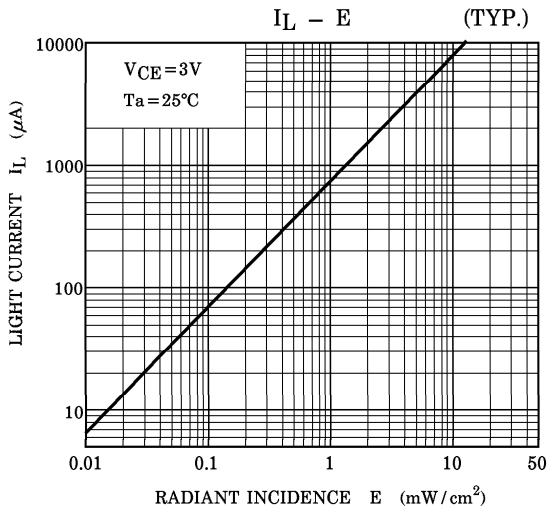
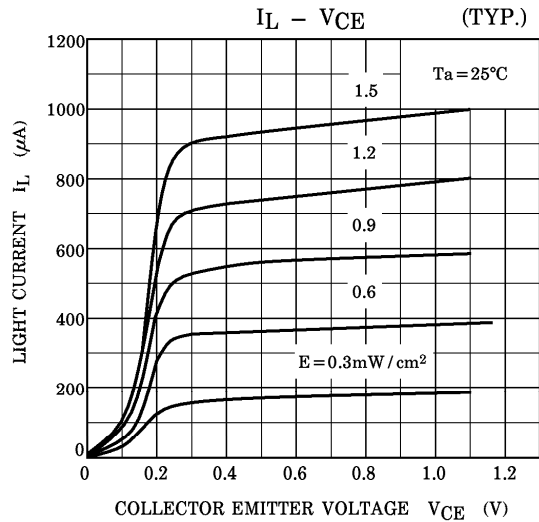
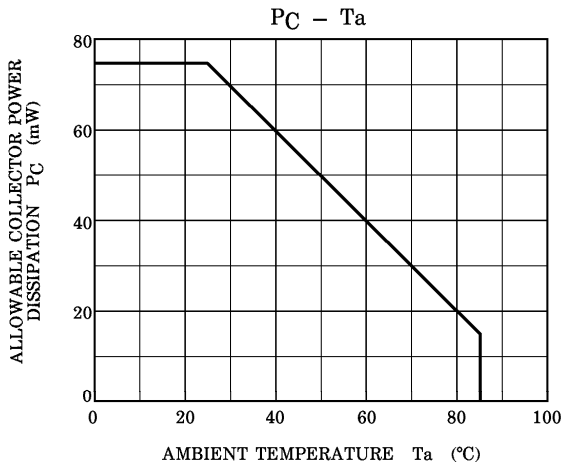
Please be careful of the followings.

1. Soldering temperature : 260°C MAX. Soldering time : 5s MAX.
(Soldering portion of lead : above 2mm from the body of the device)
2. If the lead is formed, the lead should be formed at a distance of 2mm from the body of the device.
Soldering shall be performed after lead forming.

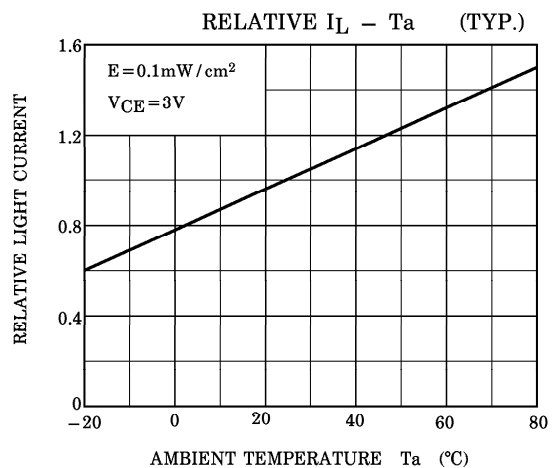
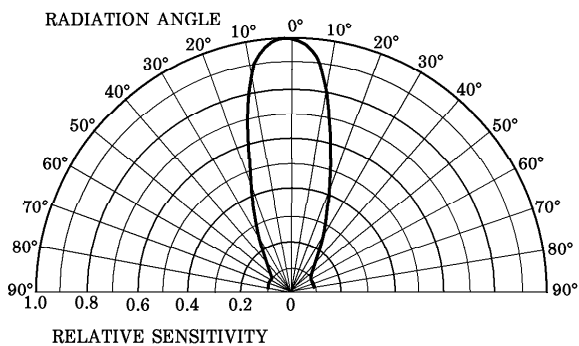
961001EAA2'

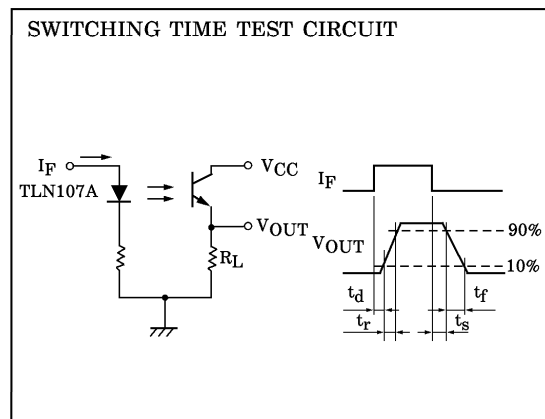
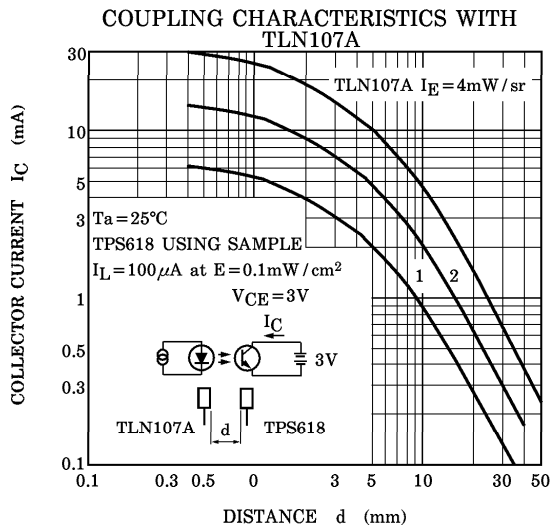
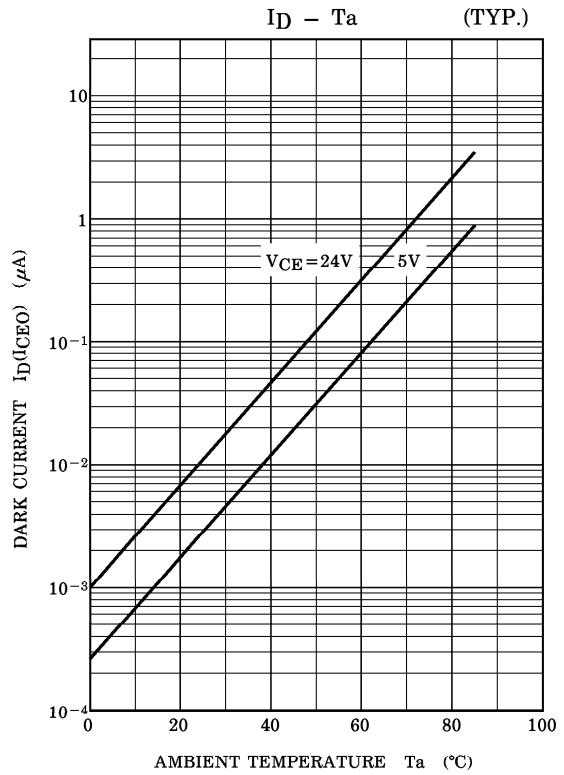
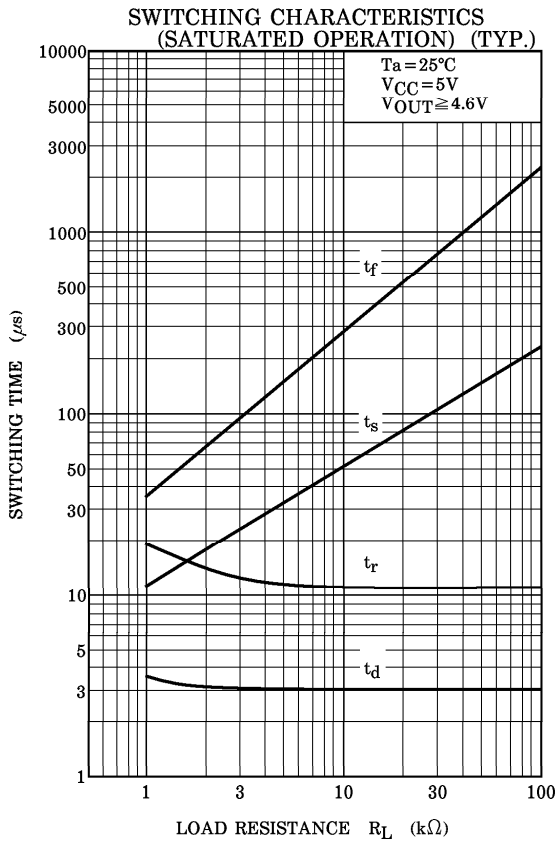
- The information contained herein is presented only as a guide for the applications of our products. No responsibility is assumed by TOSHIBA CORPORATION for any infringements of intellectual property or other rights of the third parties which may result from its use. No license is granted by implication or otherwise under any intellectual property or other rights of TOSHIBA CORPORATION or others.
- The information contained herein is subject to change without notice.

1997-09-08 2/4



DIRECTIONAL SENSITIVITY CHARACTERISTIC (TYP.)
(Ta = 25°C)





This datasheet has been download from:

www.datasheetcatalog.com

Datasheets for electronics components.