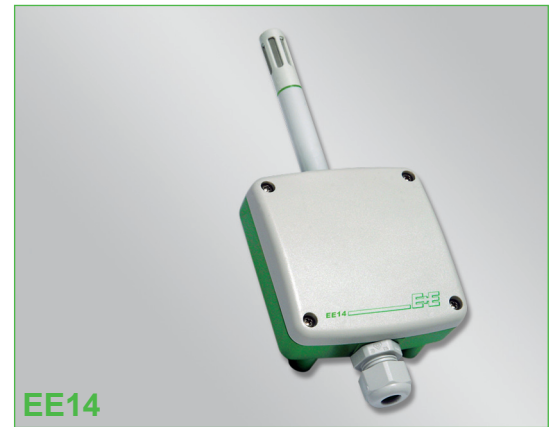


# EE14 Series

## Hygrostats for Wall and Duct Mounting Applications

The EE14 hygrostat is based on the well proved E+E humidity sensors of the HC series, which guarantee excellent long term stability, low hysteresis and high resistance to pollutants. The switching threshold is freely adjustable in the range of 10...95% RH with a hysteresis which can be set independently between 3% and 15% RH.

EE14 hygrostat is available for wall or duct mounting, the right choice of protection filter cap enables maintenance free function in heavily polluted environment.



### Typical Applications

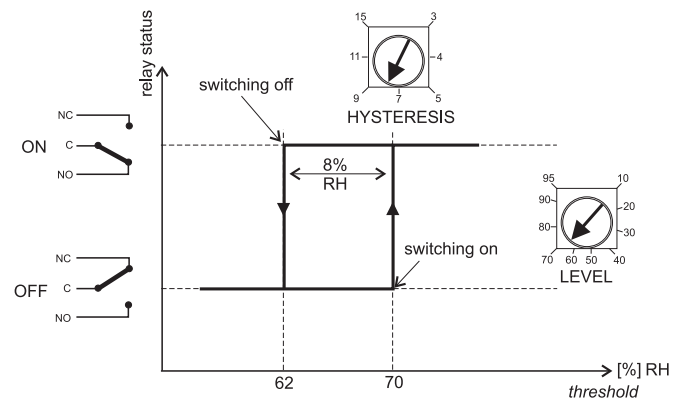
- refrigeration
- swimming halls
- climate- and ventilation controls

### Features

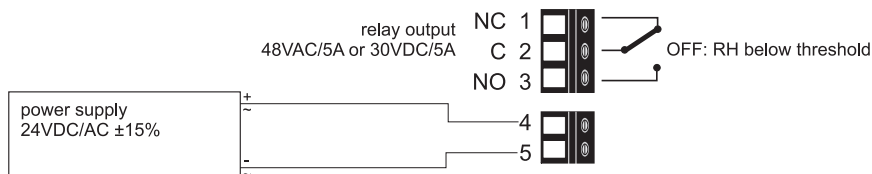
- maintenance free operation
- easy adjustment via poti
- working range 10...95% RH
- wettable

### Working Principle

With a potentiometer it is possible to adjust the threshold between 10 and 95% RH. A second potentiometer is setting the switching-hysteresis between 3 and 15% RH.



### Connection Diagram



## Technical Data

### Measuring value

Humidity sensor	HC101	
Output	centre-zero relay up to 30V DC / 5A or 48V AC / 5A	
	threshold	hysteresis
Setting range	10...95% RH	3...15% RH
Setting accuracy	± 3% RH	

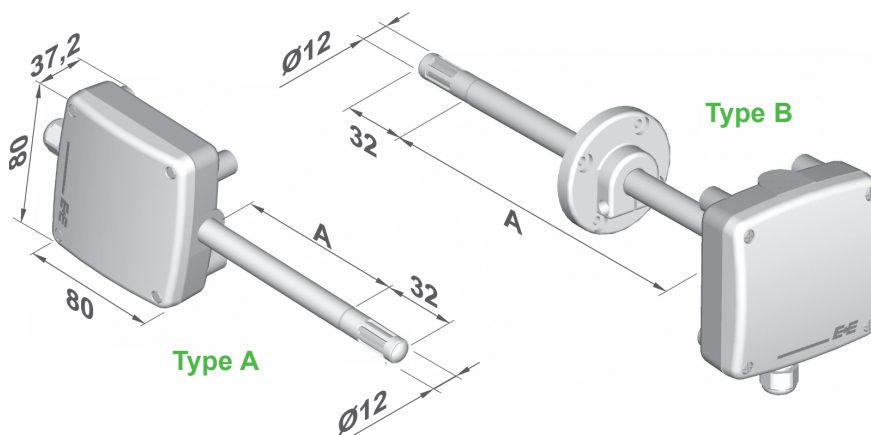
### General

Supply voltage	24V DC / V AC ± 15 %	
Current consumption for DC supply	typ. 12 mA	
for AC supply	typ. 20 mA <sub>eff</sub>	
Electrical connection	screw terminals max. 1.5 mm <sup>2</sup> (AWG 16)	
Housing/ protection class	Polycarbonat / IP65, Nema 4	
Cable gland	M16x1.5; cable Ø 4.5 - 10 mm (0.18 - 0.39")	
Sensor protection	membrane filter, metal grid filter	
Electromagnetic compatibility	EN 50081-2	EN 50081-1
	EN 50082-2	
Temperature range	working temperature:	-5...50°C (23...122°F)
	storage temperature:	-30...60°C (-22...140°F)



## Housing Dimensions (mm)

1 mm = 0.03937"/ 1" = 25.4 mm



## Ordering Guide

HOUSING	PROBE LENGTH (according to "A")	FILTER
wall mounting (A)	20 mm (0.7") (1)	membrane filter (1)
duct mounting (B)	200 mm (7.9") (5)	metal grid filter (6)
<b>EE14-</b>		

## Order Example

### EE14-A1

housing: wall mounting  
probe length: 20 mm (0.7")  
filter: membrane filter