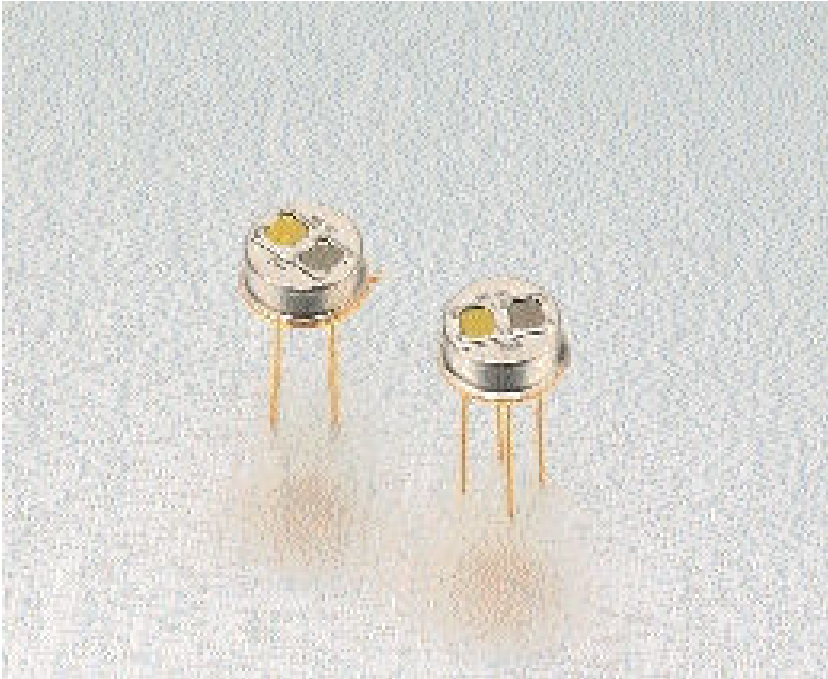


# TPS 2534 - Dual Channel Thermopile

## Two Thermopiles with Individual Infrared Filters



### Description

The dual thermopile sensor **TPS 2534** employs two single thermopile chips mounted in a TO-5 housing with a 40 k $\Omega$  thermistor as temperature reference. The cap has two windows of size 2.3 x 2.6 mm<sup>2</sup> each which can be equipped with different infrared bandpass filters. The sensor is perfectly suited to gas detection by IR absorption.

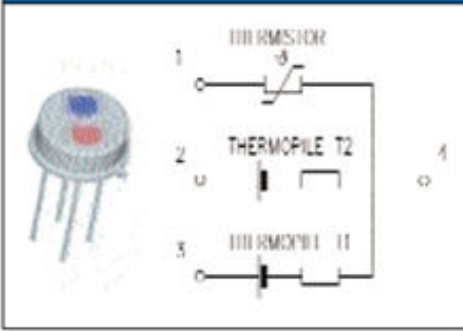
For further information please refer to the TPS 2534 product note.

### Features

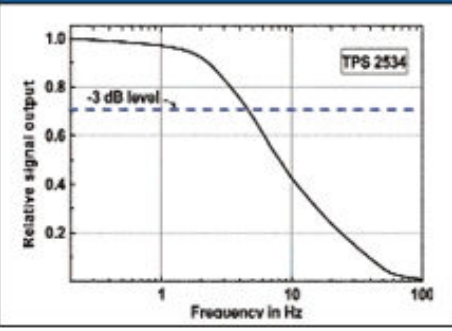
- Thermistor Temperature Reference Included
- Applications: Infrared Absorption (NDIR) Gas Sensing with Reference Channel

**TPS 2534 - Dual Channel Thermopile Two Thermopiles with Individual Infrared Filters**

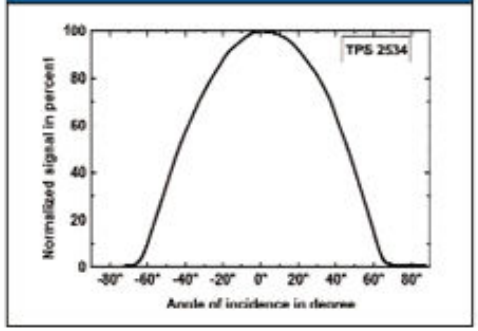
**Figure 1. Package Drawing**



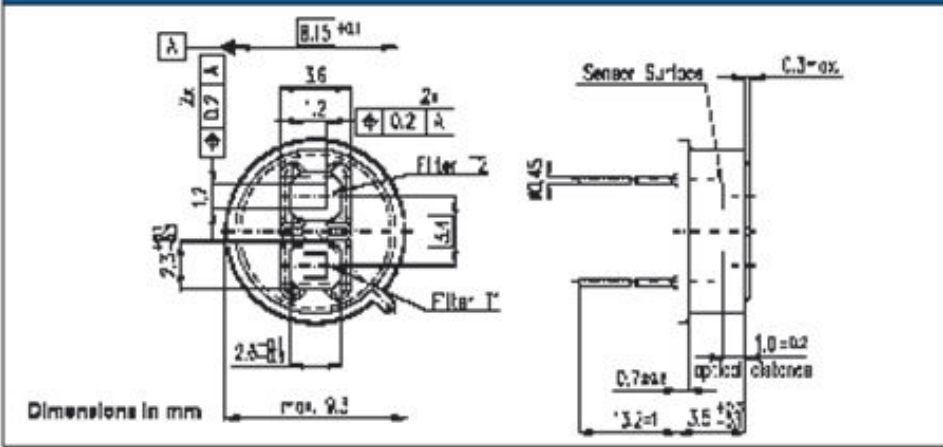
**Figure 2.**



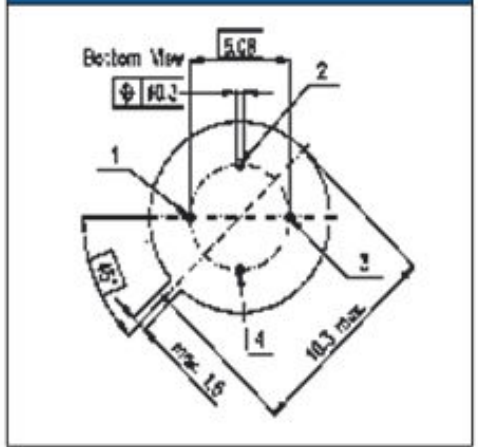
**Figure 3.**



**Figure 4. Top View Package Dimension**



**Figure 5. Bottom View**



**Table 1. TPS 2534**

Parameter	Typical	Units	Condition
Sensitive area	2x 1.2 x 1.2	mm <sup>2</sup>	absorbing area
Window size	2.3 x 2.6	mm <sup>2</sup>	each channel
DC sensitivity	42	V/W	500K BB w/o filter
Resistance	30	kΩ	
Noise	30	nV/√Hz	r.m.s. 300K
NEP	10.7	nW/√Hz	500K BB w/o filter
D*	2.3 x 10 <sup>8</sup>	cm√Hz/W	500K BB w/o filter
TC of sensitivity	-0.01	%/K	
TC of resistance	0.02	%/K	
Time constant	35	ms	
Operating temperature	-40 to 100	°C	non permanent
Storage temperature	-40 to 100	°C	non permanent
Thermistor resistance	30	kΩ	25°C
beta	3964	K	25°C/100°C
Field of view	2x 90	°	at 50% points

For more information email us at [generalinquiries@excelitas.com](mailto:generalinquiries@excelitas.com) or visit our website at [excelitas.com](http://www.excelitas.com)

All values are nominal; specifications subject to change without notice.

North America:  
 Excelitas Technologies  
 16800 Trans-Canada Highway  
 Kirkland, Quebec J7V 8P7 Canada  
 Toll Free: (877) 734-OPTO (6786)  
 Phone: +1-450-424-3300  
 Fax: +1-450-424-3411

Europe:  
 Excelitas Technologies  
 Wenzel-Jaksch-Str. 31  
 D-65199 Wiesbaden, Germany  
 Phone: +49-611-492-430  
 Fax: +49-611-492-165

Asia:  
 Excelitas Technologies  
 47 Ayer Rajah Crescent #06-12  
 Singapore 139947  
 Phone: +65-6770-4366  
 Fax: +65-6775-1008

