

Safety multibeam system for access detection

FF-SYA234 Series

Compact, Universal, Smart and Full-featured

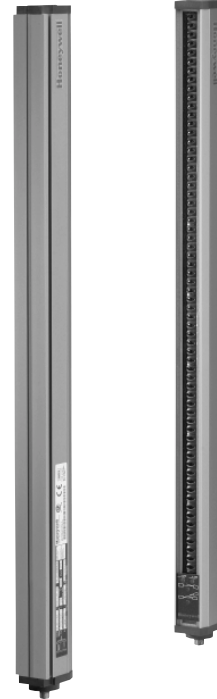
FF-SYA

FEATURES

- Active Optoelectronic Protective Device compliant with the requirements of the IEC/EN 61496 - parts 1 and 2 European norms for Type 4 electrosensitive protective equipment
- Meets applicable parts of North American standards and regulations OSHA 1910.212 and 217; ANSI B11.1.2 and .19; ANSI RIA 15.06 for Control Reliability; CSA standards
- Self-contained with optical synchronisation
- 2 static safety outputs with short-circuit and cross-fault detection
- Selection of the infrared emission power allows cross-talk reduction
- Enhanced diagnostic information includes: a signal strength indicator, a cross-talk indicator and a failure diagnostic indicator
- Test input with selectable test input type
- Two, three and four beam versions for access and beam detection
- Scanning range up to 80 m / 262.4 ft
- Electrical connection:
 - Hirschmann N6RFF type connectors,
 - Brad Harrison Mini-Change® connectors
 - terminal strips
- Mounting brackets included allowing multiple mounting positions
- Safety relay modules for more switching capability or additional features (to be ordered separately).

TYPICAL APPLICATIONS

- Access detection to robot areas
- Stacking machines, transporting and conveyor technology
- Handling equipment and assembly lines



The Honeywell FF-SYA234 multibeam system is in compliance with IEC/EN 61496 - parts 1 and 2 standard and meets the requirements for a Type 4 Active Optoelectronic Protective Device, the highest level for safety products.

The product received an EC type test certificate from the French INRS notified body, required for safety equipment as per the 98/37/EC Machinery Directive. It meets the applicable parts of North American standards and regulations (OSHA 1910.212, OSHA 1910.217, ANSI standards including ANSI RIA 15.06 for Control Reliability and CSA Z434). Its UL and CSA mark makes it a product usable in most parts of the world.

As soon as a person is detected inside the protection field, the FF-SYA de-energizes its two static safety outputs to signal the dangerous motion to stop. The FF-SYA is a self-contained light curtain that does not require a separate control unit for operation. Safety relay modules are available to provide higher current capability and additional functionality. This light curtain has been designed to satisfy the requirements of worldwide machine manufacturers and users: its compact size combined with its universal and smart features makes it full-featured and easy to use.

The long scanning distance ensures that most perimeter guarding applications are covered. The optional FF-SYZPF floor mounting posts with individual mirrors can be used to protect several sides of a machine with only one system.

The FF-SYA main features are:

- COMPACT SIZE

The cross section of 42 mm² x 55 mm² / 1.65 in² x 2.16 in² makes installation possible in tight spaces, especially with the help of the small brackets supplied with the light curtains. The available safety relay modules easily fit inside the machine control panel with its small width DIN rail mount housing.

- UNIVERSAL

The housing dimensions are the same for the whole FF-SYA series. The scanning range makes it possible to use mirrors in order to protect several sides of a machine with only one system.

- SMART

The FF-SYA is equipped with 2 static safety outputs. Compatible safety relay modules are available for a greater output current capability and manual restart functionality. An integrated cross talk reduction system allows the scanning range to be selected for the application distance. A cross talk indicator flickers when emission from other systems is detected, indicat-

ing that a different selection of the scanning range is needed. The light curtain also has a signal strength indicator which flickers if there is a slight misalignment of the beams or front window contamination. Additional indicators provide information on the outputs status, on the selected scanning range and on failure diagnostic. Standard brackets are delivered with the light curtain to ease the order process. The housing has a T-slot mounting system to adapt brackets anywhere along the lateral sides, the rear sides or at the top and the bottom of the light curtain. Hirschmann connectors are delivered with the FF-SYA□□□□□C2 light curtains.

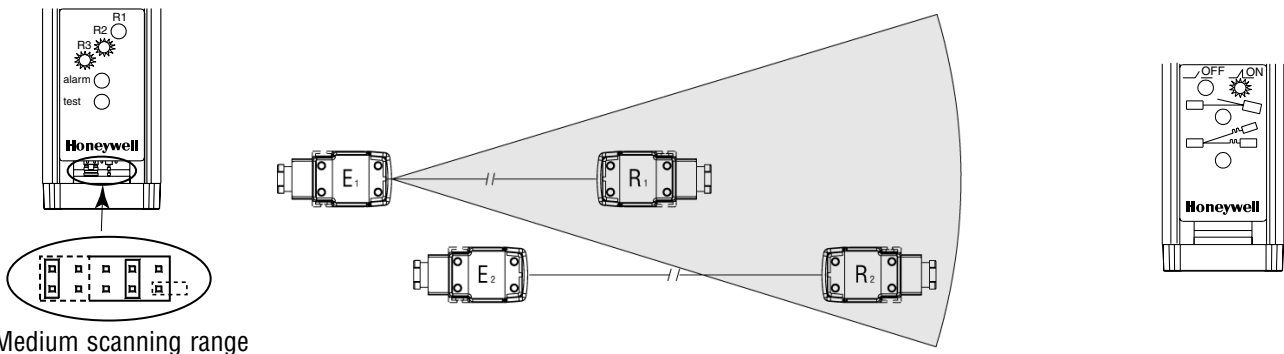
- FULL FEATURED

The integrated test input can be used to test the entire safety chain. The test contact type (NO or NC characteristics) can be selected by internal jumpers. When connected to the compatible safety relay modules, the FF-SYA provides a wide variety of advanced functions: cross-monitored relays, final switching devices monitoring for the control of external contactors or relays, choice between automatic restart or start and restart interlock as well as relay status indicators.

FF-SYA

Cross-talk reduction system

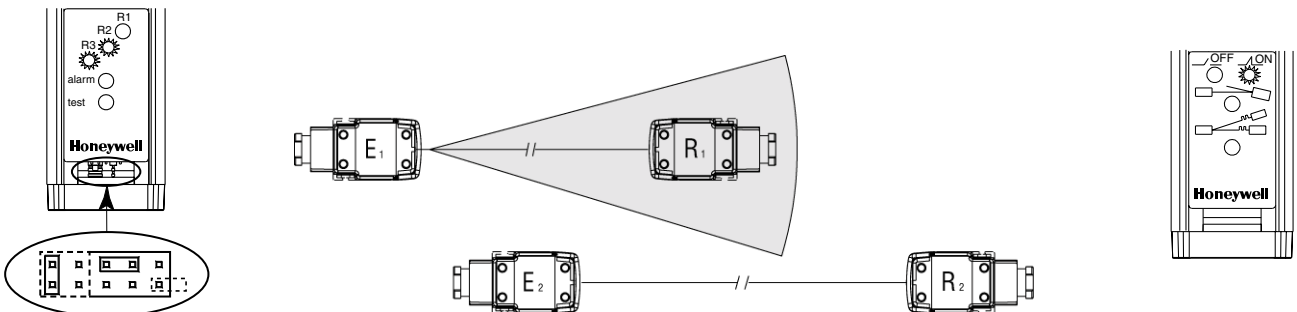
The FF-SYA light curtain is based upon an infrared transmission between an emitter unit and a receiver unit. It is a requirement of the IEC/pr EN 61496-2 standard that if a receiver R2 receives two signals transmitted by two different emitters E1 and E2, the receiver R2 must turn to the alarm state. This happens if the receiver R2 is within the beam aperture angle and within the nominal scanning range of the second emitter E1. The cross-talk detection indicator flickers on the receiver R2 to warn the installer.



Medium scanning range

An internal jumper is available on the emitter units for the selection of the adequate emission power. This jumper can be used to eliminate this cross-talk phenomenon by decreasing the maximum scanning range down to minimum. The end cap can be easily removed, and there is no need to remove the unit from the machinery to select a different scanning range. Products are delivered with a minimum scanning range to minimize cross-talk upon installation.

LED status indicators

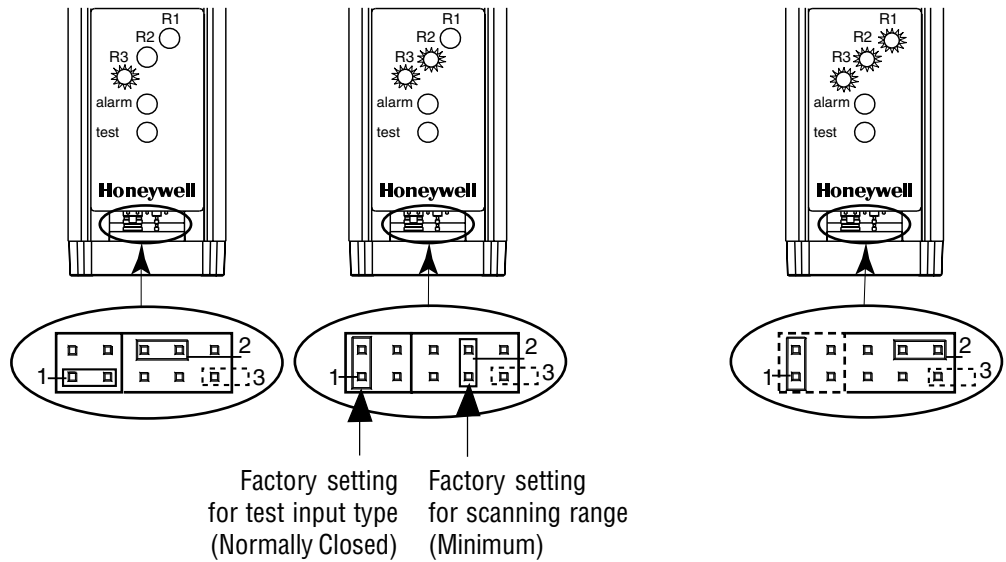
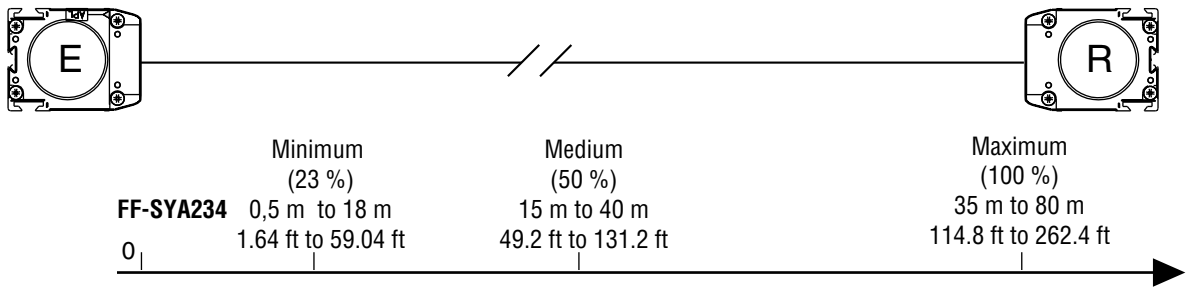


Minimum scanning range (factory setting)

Scanning range selection

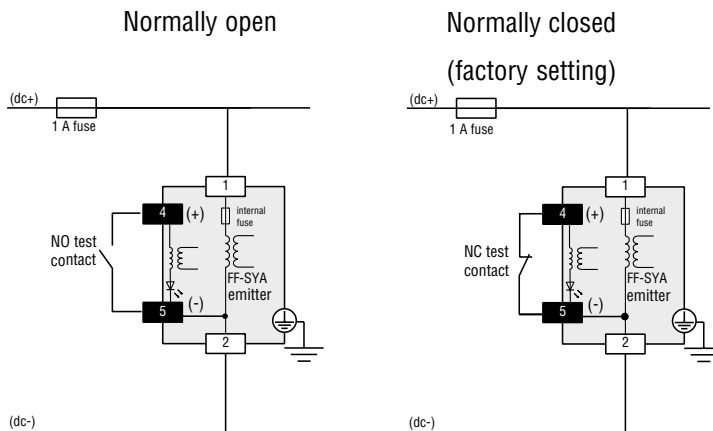
Test input type selection

FF-SYA



1: Jumper for test input type setting - 2: Jumper for scanning range setting - 3: Spare jumper without function
Remove the end cap, in order to access to the internal jumpers.

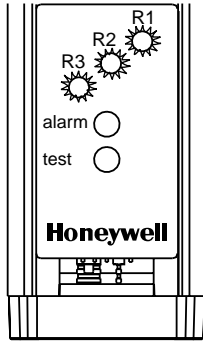
Test input type



LED status indicators

Emitter

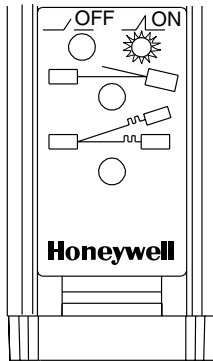
FF-SYA



3 scanning range indicators (yellow)
 Alarm indicator (red)
 Test indicator (red)

- | | | | |
|-------|------------------|-------|--|
| R3 | R2 | R1 | |
| | | | Maximum scanning range (yellow) |
| | | | Medium scanning range (yellow) |
| | | | Minimum scanning range (yellow)
(factory setting) |
| Alarm | | Alarm | |
| | Normal operation | | Device failure |
| Test | | Test | |
| | Normal operation | | Device in test mode |

Receiver

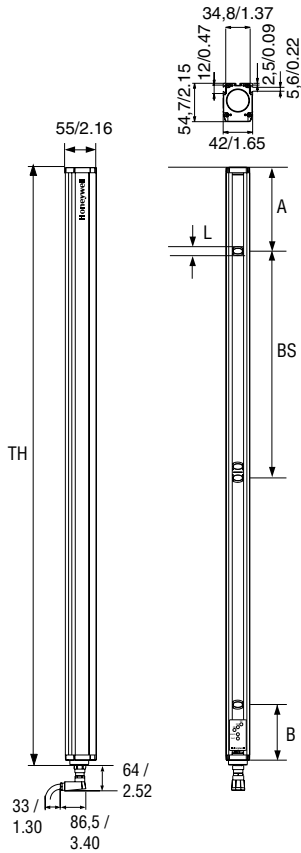


2 operation indicators (red and green)
 Signal strength indicator (yellow)
 Cross-talk indicator (red)

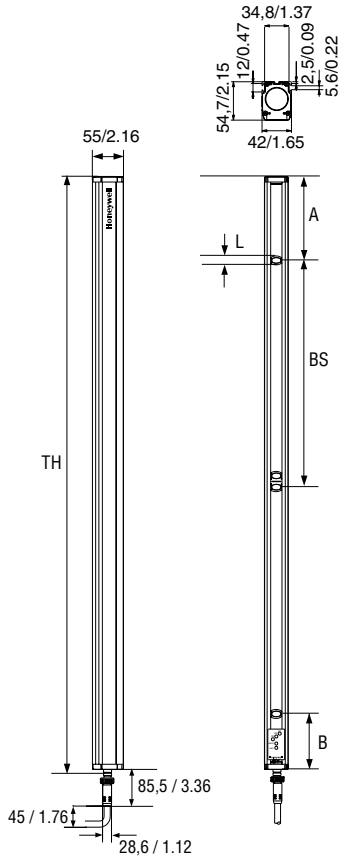
- | | | | |
|------------------------|--------------------------|-------------------------|----|
| OFF | ON | OFF | ON |
| | | | |
| | | | |
| Outputs are open | | Outputs are closed | |
| | | | |
| | | | |
| Perfect beam alignment | Slight beam misalignment | Total beam misalignment | |
| | | | |
| | | | |
| No cross-talk detected | Cross-talk detected | | |
| | | | |
| Light OFF | Light ON | Flickering light | |

Dimensions (mm / in)

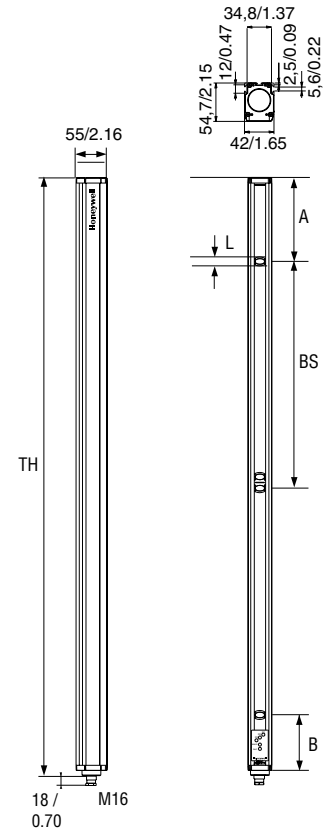
**FF-SYA with Hirschmann N6RFF connectors
(FF-SYA□□□□□C2)**



**FF-SYA with Brad Harrison Mini-Change® connectors
(FF-SYA□□□□□Q2)**



**FF-SYA with terminal strips
(FF-SYA□□□□□T2)**



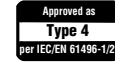
FF-SYA

Reference	Number of beams (N)	Beam Spacing (BS) mm / in	Total height TH (1) mm / in	A (mm / in)	B (mm / in)	Weight per device kg / lbs
FF-SYA02500C2	2	500 / 19.70	803 / 31.63	117 / 4.61	122 / 4.81	1,76 / 3.52
FF-SYA02500Q2	2	500 / 19.70	763 / 30.06	117 / 4.61	122 / 4.81	1,76 / 3.52
FF-SYA02500T2	2	500 / 19.70	758 / 29.80	117 / 4.61	122 / 4.81	1,76 / 3.52
FF-SYA03400C2	3	400 / 15.76	1123 / 44.24	147 / 5.79	112 / 4.41	2,52 / 5.54
FF-SYA03400Q2	3	400 / 15.76	1083 / 42.67	147 / 5.79	112 / 4.41	2,52 / 5.54
FF-SYA03400T2	3	400 / 15.76	1078 / 42.40	147 / 5.79	112 / 4.41	2,52 / 5.54
FF-SYA04300C2	4	300 / 11.82	1123 / 44.24	67 / 2.63	92 / 3.62	2,52 / 5.54
FF-SYA04300Q2	4	300 / 11.82	1083 / 42.67	67 / 2.63	92 / 3.62	2,52 / 5.54
FF-SYA04300T2	4	300 / 11.82	1078 / 42.40	67 / 2.63	92 / 3.62	2,52 / 5.54

TH: Total Height (including plugs for the FF-SYA□□□□□C2, male receptacles only for the FF-SYA□□□□□Q2 and cable glands for the FF-SYA□□□□□T2 versions)

Safety multibeam system for access detection

- Type 4 according to the IEC/EN 61496 - parts 1 and 2 standards
- Two, three and four beam systems for access and body detection
- Beam spacing per EN 999 and ANSI/RIA/R15.06-1999 (see notice below)
- Enhanced diagnostic information



FF-SYA

Dimensions in millimeters / inches, meters / feet, weights in kg / lbs

Features	Type	FF-SYA02500	FF-SYA03400	FF-SYA04300
Number of beams		2	3	4
Beam spacing		500 mm / 19.7 in	400 mm / 15.76 in	300 mm / 11.82 in
Nominal scanning ranges		0,5 m to 80 m / 1.64 ft to 262.4 ft		
Supply voltage		24 Vdc (± 15 %)		
Power consumption		Emitter: 3,6 W max. • Receiver: 3,3 W max.		
Outputs		2 PNP safety static outputs (switching capacity: 0,5 A / 24 Vdc)		
Test input		Normally open or Normally closed (Factory setting)		
Response time		11,5 ms		
LED status indicators		Emitter: test mode, failure alarm, selected scanning range Receiver: outputs status, optical signal margin, cross-talk detection		
Cross sectional area		W 42 mm ² x D 55 mm ² / W 1.65 in ² x D 2.16 in ²		
Emission		Infrared modulated light source (880 nm)		
Effective aperture angle		± 2° , ± 25 % (in compliance with the IEC/EN 61496 - Part 2)		
Light immunity		Sun: 20 000 lux • Lamp: 15 000 lux		
Electrical noise immunity		IEC 61000-4-4: level III / IEC 61000-4-3: level III		
Ambient temperature		Operating temperature: 0 °C to 55 °C / 32 °F to 131 °F Storage temperature: -20 °C to 75 °C / -4 °F to 167 °F		
Vibrations		IEC/EN 61496-1: 10 to 55 Hz frequency range, 1 octave/min.sweep rate, 0,35 mm ± 0,05 amplitude, 20 sweeps per axis, for 3 axes		
Sealing		IP 65, NEMA 4, 13		
Material		Housing: aluminium alloy • Front plate: polymethyl metacrylate (PMMA) • End caps: polycarbonate		
Electrical connection		FF-SYA□□□□□C2: EN 60423 plastic 7-pin right-angle plugs with crimping contacts (Hirschmann N6RFF type) FF-SYA□□□□□Q2: 5 and 7 pole straight male receptacles compatible with Brad Harrison Mini-Change® plugs (not included) FF-SYA□□□□□T2: terminal strip version with M16 cable glands		

Ordering information

Each listing consists of an emitter, a receiver, 2 pairs of right-angle brackets, a test rod and a pair of Hirschmann N6RFF connector (FF-SYA□□□□□C2 version only)

FF-SYA□□□□□□2

- C: EN 60423 Hirschmann N6RFF plastic plugs (included)
- Q: male receptacles compatible with Brad Harrison Mini-Change® plugs (not included)
- T: terminal strips (cable glands included)

Model	Number of beams	Beam spacing mm / in
02500	2	500 / 19.70
03400	3	400 / 15.76
04300	4	300 / 11.82

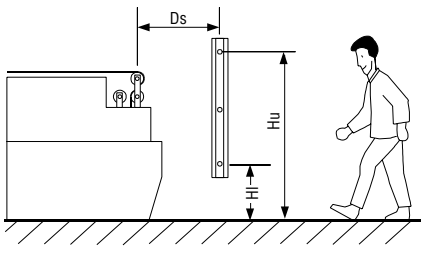
NOTICE

NON COMPLIANCE TO ANSI/RIA 15.6-1999 WITH FF-SYA02500

Only the three beam (FF-SYA03400 Series) and the four beam versions (FF-SYA04300 series) are in compliance with the beam heights, specified in the US Standard ANSI/RIA R15.06-1999 (Industrial Robots and Robot Systems - Safety Requirements). The two beam version (FF-SYA02500 Series) does NOT comply with ANSI/RIA R15.06 and may require additional protection.

Refer to applicable standards. In the absence of an applicable standard, ANSI B11.19 and ANSI R15.06 may be used as reference for the USA, as well as EN 999 (or the relevant Type C machine standard) for Europe.

■ Safety distances

European EN 999 standard (in mm, 100 mm = 3.9 in)					
Normal approach		FF-SYA234			
		$S \geq 1600 (t1 + t2) + 850$			
		Reference	Number of beams (N)	Beam heights above the reference floor mm	in
		FF-SYA02500□2	2	400 / 900	15.7 / 35.4
		FF-SYA03400□2	3	300 / 700 / 1100	11.8 / 27.6 / 43.3
FF-SYA04300□2	4	300 / 600 / 900 / 1200	11.8 / 23.6 / 35.4 / 47.2		

Where

S: Minimum safety distance (in mm, 100 mm = 3.9 in)

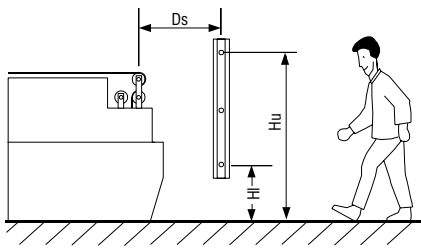
t1: Light curtain response time (s)

t2: Machine stopping time (s)

Hu: Height of the uppermost beam above the reference floor (mm)

Hl: Height of the lowest beam above the reference floor (mm)

For more information, refer to the EN 999 European standard or comply with the requirements on safety distances given by the type C European standard if existing for the considered machine.

USA ANSI/RIA 15.06 requirements (in inches, 1 in = 25,4 mm)					
Normal approach		FF-SYA234			
		$Ds = 63 (Ts + Tc + Tr) + Dpf$			
		Reference	Number of beams (N)	Beam heights above the reference floor	Dpf
		FF-SYA02500□2	2	1st beam at 300 mm / 12 in max.(Hl) (1) Top beam at 900 mm / 36 in min. (Hu)(1)	1,2 m / 48 in (Reach over)
		FF-SYA03400□2	3	1st beam at 300 mm / 12 in max. (Hl) Top beam at 900 / 36 in min. (Hu)	1,2 m / 48 in (Reach over)
FF-SYA04300□2	4	1st beam at 300 mm / 12 in (Hl) Top beam at 1200 mm / 48 in (Hu)	0,9 m / 36 in (Reach thru)		

(1) Additional safeguard(s) is (are) required, when using the FF-SYA02500□2 two beam systems, as beam heights do not fully comply to ANSI/RIA 15.06 requirements.

$Ds = K (Ts + Tc + Tr) + Dpf$

Where

Ds: Minimum safety distance (in inches, 1 in = 25,4 mm)

K: Approach speed

Ts: Worst case stopping time of the machine (s)

Tc: Worst case response of the machine's control (s)

Tr: Response time of the safety devices (light curtain plus its interface – meaning the response time including the mechanical relay outputs in s)

Dpf: Depth penetration factor (in)

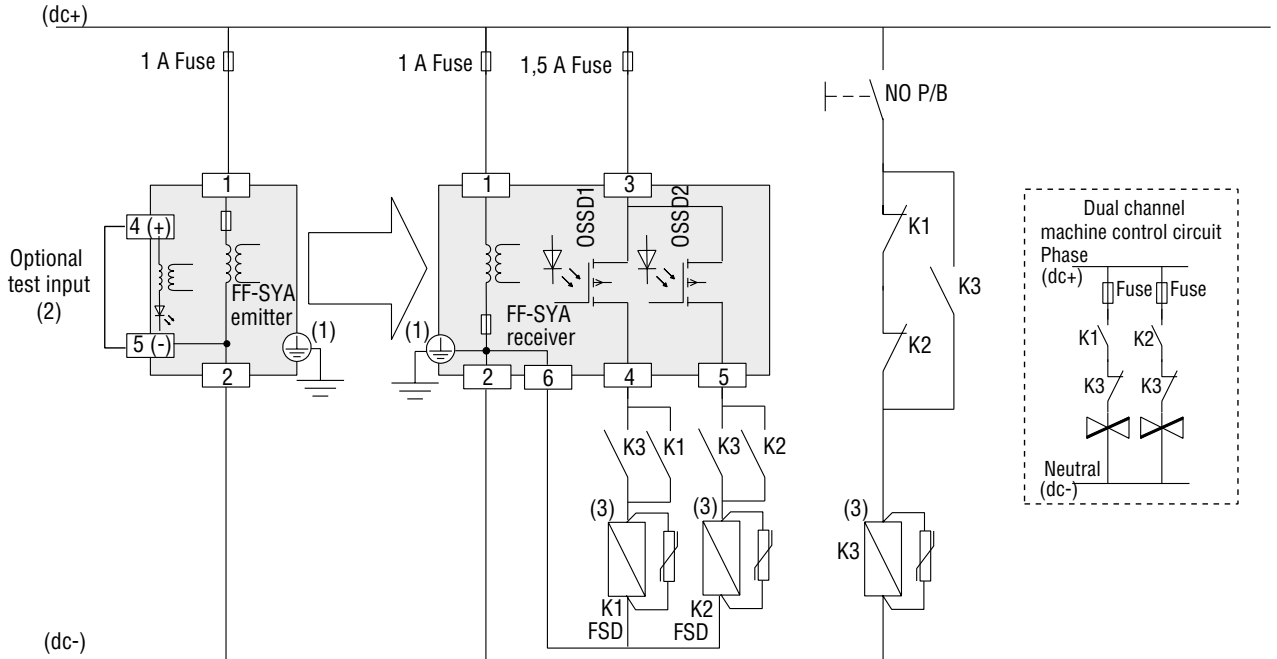
Hu: Height of the uppermost beam above the reference floor (in)

Hl: Height of the lowest beam above the reference floor (in). For Normal approach, assumption is that Hl is not greater than 12 in unless the application prevents access even with Hl at a distance greater than 12 in.

For more information, refer to the US regulations and standards (OSHA 29 CFR 1919.212 and 1910.217, ANSI B11.1, B11.2, B11.19 and ANSI RIA R15.06).

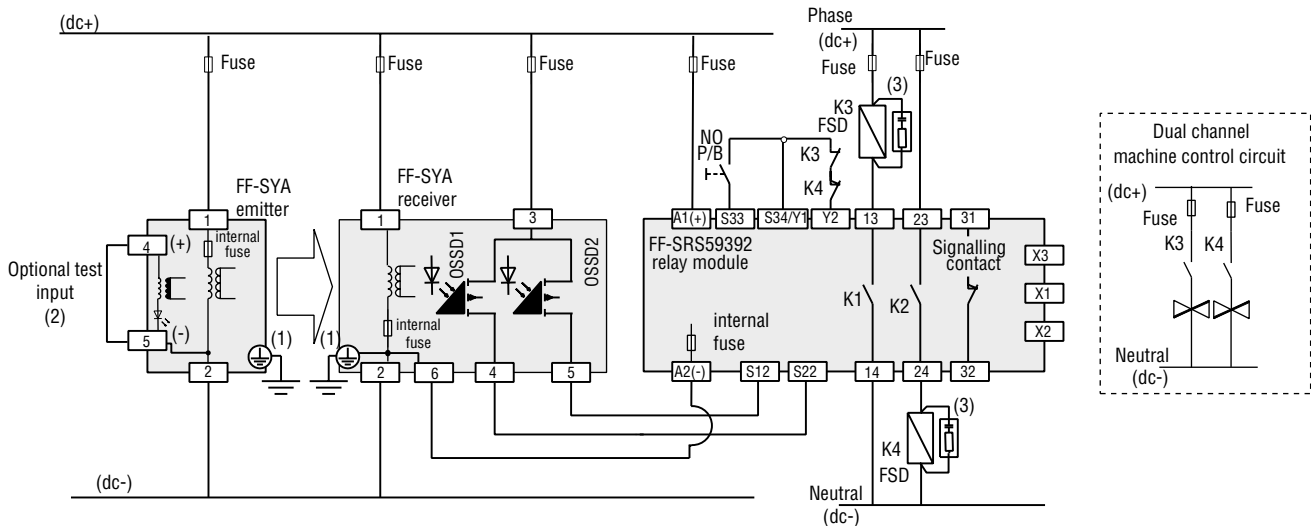
Wiring diagram using external safety relays with guided contacts

FF-SYA



Wiring diagram using the FF-SRS59392 Dual Channel Relay Module for ESPE with static safety outputs

The FF-SRS59392 safety control module is set in the manual restart mode with FSD monitoring.



NOTICE

IMPROPER USE OF FF-SYA CURTAIN

The cross-monitoring of the FF-SYA static outputs is based upon a self-checking principle which guarantees the detection of an output short-circuit and the detection of a short-circuit between the outputs (cross-fault detection). The FF-SRL5925 and the FF-SRS59392 interface control modules are primarily designed to be interfaced with Honeywell static safety outputs devices.

Compatibility of the FF-SYA with any other emergency stop safety control module is not guaranteed.

(1) Use pin 3 for the FF-SYA□□□□Q2E emitter and pin 7 for the FF-SYA□□□□Q2R receiver

(2) Optional test input jumpered when unused (see chapter "Test input Selection" for details).

(3) Install arc suppressors (31 Vdc varistors, customer supplied)

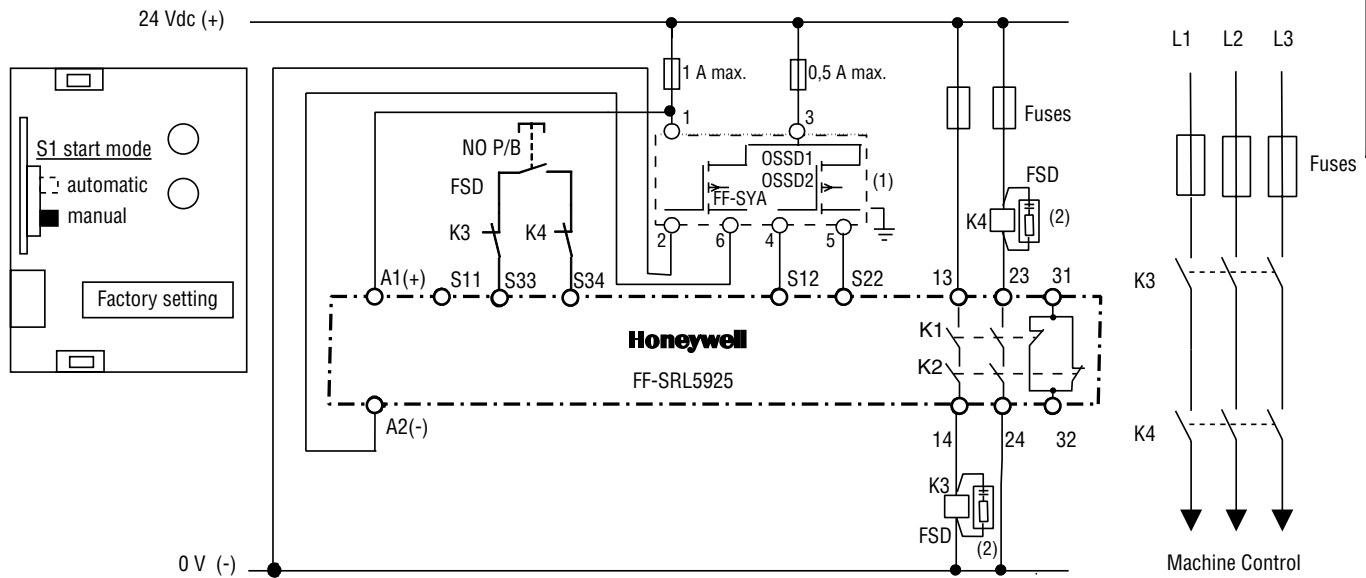
OSSD1 and OSSD2: Output Signal Switching Devices (static safety outputs)

FSD: Final Switching Devices (external safety relays with guided contacts)

NO P/B: normally open contact of a start push-button

Wiring diagram using the FF-SRL59252 Dual Channel Relay Module for ESPE with static safety outputs

Example: the FF-SRL59252 safety control module is set in the manual start mode with FSD monitoring.



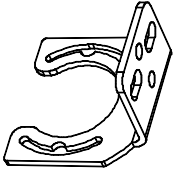
FF-SYA

NOTICE
IMPROPER USE OF FF-SYA CURTAIN
 The cross-monitoring of the FF-SYA static outputs is based upon a self-checking principle which guarantees the detection of an output short-circuit and the detection of a short-circuit between the outputs (cross-fault detection). The FF-SRL59252 and the FF-SRS59392 interface control modules are primarily designed to be interfaced with Honeywell static safety outputs devices.
Compatibility of the FF-SYA with any other emergency stop safety control module is not guaranteed.

- (1) Use pin 3 for the FF-SYA□□□□Q2E emitter and pin 7 for the FF-SYA□□□□Q2R receiver
 - (2) Install arc suppressors (31 Vdc varistors, customer supplied)
- OSSD1 and OSSD2: Output Signal Switching Devices (static safety outputs)
 FSD: Final Switching Devices (external safety relays with guided contacts)
 NO P/B: normally open contact of a start push-button

Accessories

FF-SYA



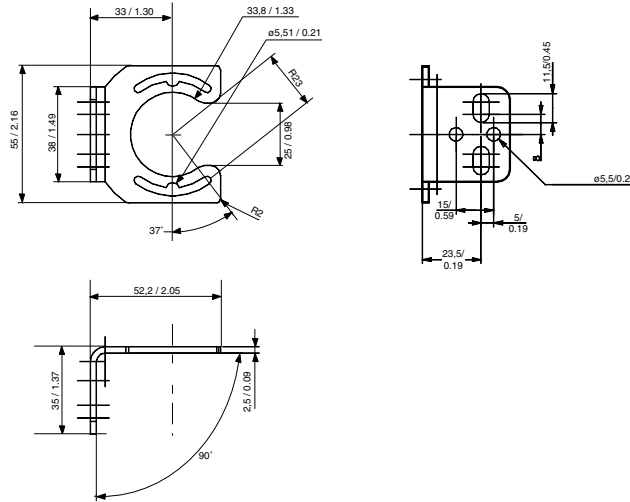
FF-SYZ634178

Kit of 2 right angle mounting brackets with screws, bolts, nuts and washers to mount one emitter or one receiver unit. Possible mounting positions:

1. At the top and the bottom of the FF-SYA (allowing adjustments in azimuth directions of $\pm 10^\circ$).
2. At one of the two lateral dovetail slots (allowing adjustments in vertical directions along the slot)
3. At the rear dovetail slot (allowing adjustments in vertical directions along the slot)

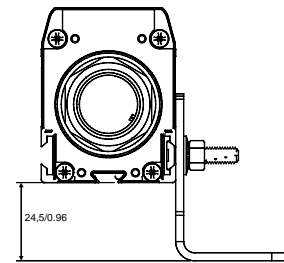
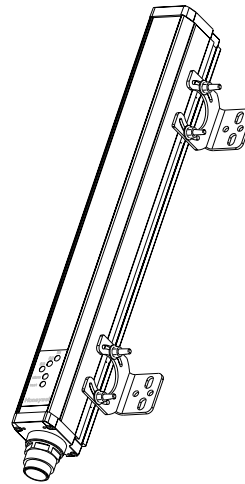
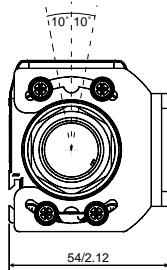
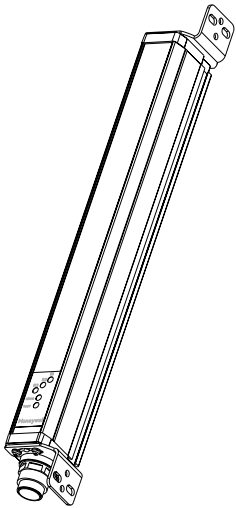
Order 2 kits for a complete set of emitter and receiver

(already included in the FF-SYA package).



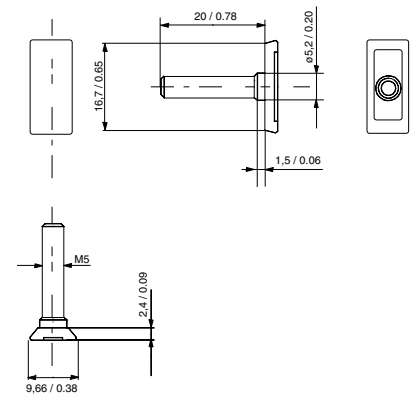
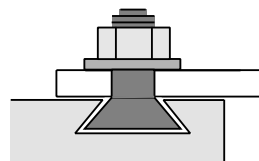
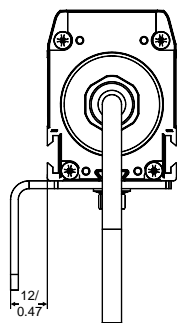
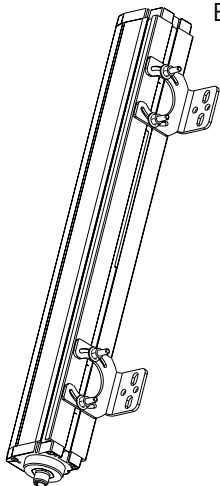
Bracket mounting at the top and the bottom

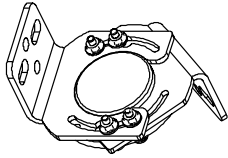
Bracket mounting at the lateral dovetail slots



Bracket mounting at the rear dovetail slots

M5 dovetail shape bolt





FF-SYZ634179

Kit of 2 adjustable mounting brackets (FF-SYZ634178 type) with rotating plate, screws, bolts, nuts, and washers to mount one emitter or one receiver unit. To be mounted together with the FF-SYZ634178 brackets delivered with the FF-SYA package.

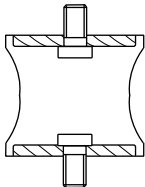
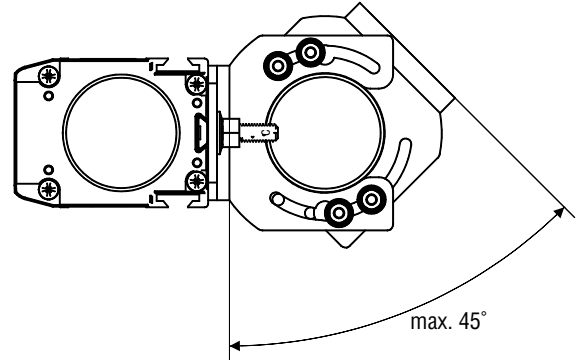
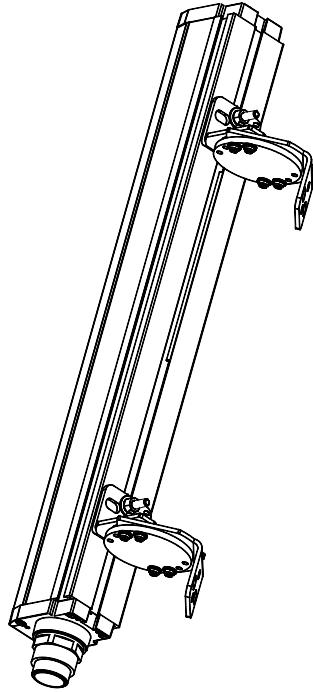
Possible mounting position is:

- at the rear dovetail slot
(allowing adjustments in vertical directions along the slot and in azimuth directions of max. $\pm 45^\circ$)

Order 2 kits for a complete set of emitter and receiver.

Refer to the section FF-SYZ634178 for the detailed dimensions of the brackets.

(to be ordered separately as an option)



FF-SYZAD

Kit of 4 antivibration dampers. To be mounted together with the existing mounting brackets. Order 2 kits for a complete set of emitter and receiver.

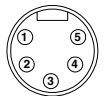
NOTICE
PROTECTION AGAINST HIGH VIBRATIONS

In case of high vibrations, 3 pairs of brackets must be used for light curtain systems with protection heights, greater or equal to 1000 mm / 39.4 in. You may also use our antivibration damper kit FF-SYZAD.

(The additional bracket kit and the antivibration damper kit must be ordered separately).

Plugs kits

FF-SYA



Face view

Colour code leadwires

- 1-White
- 2-Red
- 3-Green
- 4-Orange
- 5-Black



Face view

Colour code leadwires

- 1-White/Black
- 2-Black
- 3-White
- 4-Red
- 5-Orange
- 6-Blue
- 7-Green



FF-SYZ172113 (for FF-SYA□□□□□C2 light curtains)
 Kit of 2 EN 60423 plastic 7-pin right-angle plugs with crimping contacts (Hirschmann, N6RFF type). Order 1 kit for a complete set emitter and receiver.
Already included in the FF-SYA package.

FF-SYZ172159 (for FF-SYA□□□□□C2 light curtains)
 Kit of 2 EN 60423 plastic 7-pin straight plugs with crimping contacts (Hirschmann, N6REF type). Order 1 kit for a complete set emitter and receiver.
To be ordered separately as an option.

FF-SBZ1721136 (for FF-SYA□□□□□C2 light curtains)
 Kit of 1 EN 60423 plastic 7-pin right-angle connector with screw contact terminals (Hirschmann, N6RFFS11 type). Order 2 kits for a complete set of emitter and receiver.
To be ordered separately as an option.

FF-41308 (for FF-SYA□□□□□Q2E emitters)
 One 5-pole female straight Brad Harrison Mini-Change® plug, 3,66 m / 12 ft cable length. Order one plug for the emitter.
To be ordered separately when using the FF-SYA□□□□□Q2 light curtains.

FF-41322 (for FF-SYA□□□□□Q2E emitters)
 One 5-pole female straight Brad Harrison Mini-Change® plug, 6,10 m / 20 ft cable length. Order one plug for the emitter.
To be ordered separately when using the FF-SYA□□□□□Q2 light curtains.

FF-42803 (for FF-SYA□□□□□Q2R receivers)
 One 7-pole female straight Brad Harrison Mini-Change® plug, 3,66 m / 12 ft cable length. Order one plug for the receiver.
To be ordered separately when using the FF-SYA□□□□□Q2 light curtains.

FF-42821 (for FF-SYA□□□□□Q2R receivers)
 One 7-pole female straight Brad Harrison Mini-Change® plug, 6,10 m / 20 ft cable length. Order one plug for the receiver.
To be ordered separately when using the FF-SYA□□□□□Q2 light curtains.

FF-SYZROD14
 Test rod for ø14 mm / 0.6 in resolution safety light curtains
(already included in the FF-SYA package).

FF-SBZROD30
 Test rod for ø30 mm / 1.2 in resolution safety light curtains
(already included in the FF-SYA package).

Safety control modules

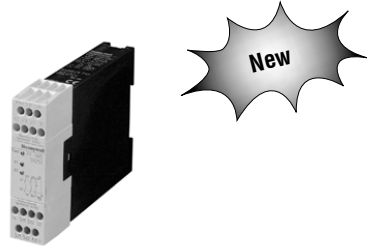
FF-SYA



FF-SRS59392

Dual channel relay module for safety light curtains with static safety outputs **(to be ordered separately as an option).**

- Compatible with safety light curtains with static outputs only
- 24 Vdc
- Category 4 per EN 954-1
- Selectable start mode and FSD monitoring
- 2 NO/ 1 NC safety relay outputs
- 45 mm / 1.77 in width



FF-SRL59252

Dual channel relay module for safety light curtains with static safety outputs **(to be ordered separately as an option)**

- Compatible with safety light curtains with static outputs only
- 24 Vdc
- Category 4 per EN 9541
- Selectable start mode and FSD monitoring
- 2 NO, 1 NC internally redundant safety relay outputs
- 22.5 mm / 0.89 in width

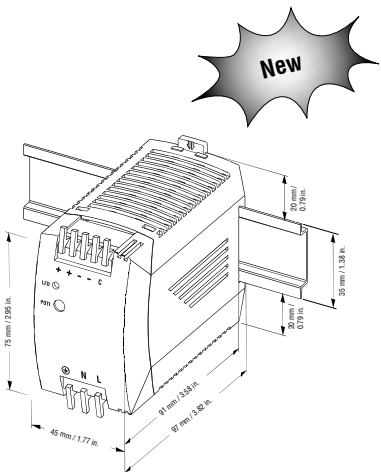


FF-SRM100P2

Muting module

(to be ordered separately as an option)

- Compatible with safety light curtains (also with static safety outputs) and other safety devices
- Conveyor mode and press mode
- Unidirectional or bidirectional muting
- Connection of 2 or 4 auxiliary muting sensors and 1 safety device
- 24 Vdc
- Category 4 per EN 954-1
- Manual start mode, FSD monitoring and programmable test function
- Programmable max. muting time
- Crossfault monitoring of inputs
- Integrated override facility
- Self monitored muting lamp output
- 2 PNP static safety outputs
- Static outputs for restart status, output status and alarm status
- 152 mm / 5.98 in width



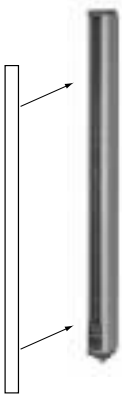
FF-SXZPWR050

Ac to dc power supply

(to be ordered separately as an option)

- Approvals: UL508 listed, UL1950, cUL/CSA-C22.2 No.950-M90, EN/IEC 60950, EN 50178 (Class 2 Rated for low power installations)
- Input voltage: 85-264 Vac (43-67 Hz)
- Output voltage: 24-28 Vdc adjustable
- Rated continuous load (at 60 °C/140 °F max.): 2,1 A @ 24 Vdc / 1,8A @ 28 Vdc
- Power: 50 W
- Dimensions 75 mm x 45 mm x 97 mm / 2.95 in x 1.77 in x 3.82 in
- DIN rail mounting
- Weight: 240 g / 0.52 lbs

FF-SYA



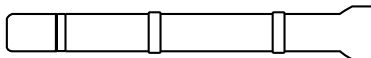
FF-SYZFT□□□

Kit including two self-adhesive tapes to be glued on the front windows of the FF-SYA light curtain. (Order 1 kit per light curtain).

CAUTION

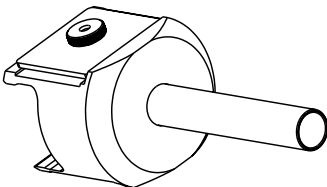
Make sure the transparent protection tape is placed on the emitter and the filtered protection is placed on the receiver. Protections cannot be removed once in place.
Failure to comply with these instructions may result in product damage.

Features:	
Storage and operating temperatures	-20 °C to 55 °C / -4 °F to 131 °F, high resistance to the ejection of melting particles
Material	Organic glass
Prohibited liquids	Sulfuric acid, hydrofluoric acid, ammonia solution
Scanning range attenuation	36%
Optical immunity improvement factor	2,5
Ordering guide:	FF-SYA234 versions
FF-SYZFT064	FF-SYA02500□2
FF-SYZFT096	FF-SYA03400□2, FF-SYA04300□2



FF-SPZLASER

The laser pen FF-SPZLASER is a self-contained and compact laser device designed to ease infrared beam alignments. Its class II conforms to the EN 60825 European standard and the US 21 CFR 1040 American standard.



FF-SYZ604795

Mechanical adapter for the FF-SPZLASER laser pen to be used with the FF-SYA Series light curtain.



FF-SYZPF

Fixed post for FF-SYA light curtain

Floorstanding post for the installation of the following FF-SYA light curtains:

Light curtain models: FF-SYA□□032, FF-SYA□□048, FF-SYA□□080, FF-SYA□□096

Multibeam models: FF-SYA02500, FF-SYA03400, FF-SYA04300

(To be ordered separately as an option).

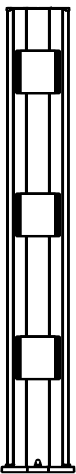
Front covers are available for additional protection of the FF-SYA234 beam access detection systems:

FF-SYZ630184-2: Front cover for 2 beams

FF-SYZ630184-3: Front cover for 3 beams

FF-SYZ630184-4: Front cover for 4 beams

(To be ordered separately as an option).



FF-SYZPF□□

**Fixed post with 2, 3 or 4 individual mirrors (10 % or 25 % reduction of scanning range)
(to be ordered separately as an option)**

FF-SYZPF02 Floorstanding post with 2 individual mirrors with 10 % of loss
 FF-SYZPF12 Floorstanding post with 2 individual mirrors with 25 % of loss
 Suitable for FF-SYA02500 multibeam system

FF-SYZPF03 Floorstanding post with 3 individual mirrors with 10 % of loss
 FF-SYZPF13 Floorstanding post with 3 individual mirrors with 25 % of loss
 Suitable for FF-SYA03400 multibeam system

FF-SYZPF04 Floorstanding post with 4 individual mirrors with 10 % of loss
 FF-SYZPF14 Floorstanding post with 4 individual mirrors with 25 % of loss
 Suitable for FF-SYA04300 multibeam system

Note: The FF-SYZPF□□ fixed posts with individual mirrors are already delivered with the FF-SYZ630184-□ front covers.

Warranty and remedy

Honeywell warrants goods of its manufacture as being free of defective materials and faulty workmanship. Contact your local sales office for warranty information. If warranted goods are returned to Honeywell during the period of coverage, Honeywell will repair or replace without charge those items it finds defective. The foregoing is Buyer's sole remedy and is **in lieu of all other warranties, expressed or implied, including those of merchantability and fitness for a particular purpose.**

While we provide application assistance, personally, through our literature and the Honeywell web site, it is up to the customer to determine the suitability of the product in the application.

Specifications may change at any time without notice. The information we supply is believed to be accurate and reliable as of this printing. However, we assume no responsibility for its use.

Sales and Service

Honeywell serves its customers through a worldwide network of sales offices and distributors. For application assistance, current specifications, pricing or name of the nearest Authorised Distributor, contact a nearby sales office or:

INTERNET: www.honeywell.com/sensing

E-mail: info.sc@honeywell.com

ASIA PACIFIC

Control Products Asia Pacific Headquarters

Phone: +(65) 6355-2828
Fax: +(65) 6445-3033

Australia

Honeywell Limited
Phone: +(61) 2-9370-4500
FAX: +(61) 2-9370-4525
Toll Free 1300-36-39-36
Toll Free Fax 1300-36-04-70

China - PRC - Beijing

Honeywell (Tianjin) Ltd.
Phone: +(86-10) 8458-3280
FAX: +(86-10) 8458-3102

China - PRC - Shanghai

Honeywell China Inc.
Phone: +(86-21) 6237-0237
FAX: +(86-21) 6237-1237

China - Hong Kong SAR

Honeywell Ltd.
Phone: +(852) 2953-6412
FAX: +(852) 2953-6767

India

Tata Honeywell Ltd
Phone: +(91) 20 687 0445/0446
FAX: +(91) 20 681 2243/687 5992

Indonesia

Honeywell Indonesia Pte Ltd
Phone: +(62-21) 535-8833
FAX: +(62-21) 5367-1008

Japan

Honeywell Inc
Phone: +(81) 3 5440 1425
FAX: +(81) 3 5440 1368

South Korea

Honeywell Korea Co. Ltd
Phone: +(822) 799-6167
FAX: +(822) 792-9013

Malaysia

Honeywell Engineering Sdn Bhd
Phone: +(60-3) 7958-4988
FAX: +(60-3) 7958-8922

New Zealand

Honeywell Limited
Phone: +(64-9) 623-5050
FAX: +(64-9) 623-5060
Toll Free (0800) 202-088

Philippines

Honeywell Systems (Philippines) Inc.
Phone: +(63-2) 636-1661/1662
FAX: +(63-2) 638-4013

Singapore

Honeywell South East Asia
Phone: +(65) 6355-2828
FAX: +(65) 6445-3033

Taiwan R.O.C.

Honeywell Taiwan Ltd.
Phone: +(886-2) 2245-1000
FAX: +(886-2) 2245 3242

Thailand

Honeywell Systems Ltd.
Phone: +(662) 693 3099
FAX: +(662) 693 3085

NORTH AMERICA

Canada

Honeywell LTD
Phone: 1-800-737-3360
FAX: 1-800-565-4130

USA

Control Products,
International Headquarters
Phone: 1-800-537-6945
1-815-235-6847
FAX: 1-815-235-6545
E-mail: info.sc@honeywell.com

EUROPE

Austria

Honeywell Austria GmbH
Phone: +(43) 1 727 80 366/246
FAX: +(43) 1 727 80 337

Belgium

Honeywell SA/NV
Phone: +(32) 2 728 2522
FAX: +(32) 2 728 2502

Bulgaria

Honeywell EOOD
Phone: +(359) 2 79 40 27
FAX: +(359) 2 79 40 90

Czech Republic

Honeywell spol. s.r.o.
Phone: +(420) 2 6112 3469/3424
FAX: +(420) 2 6112 3461

Denmark

Honeywell A/S
Phone: +(45) 39 55 55 55
FAX: +(45) 39 55 55 58

Finland

Honeywell OY
Phone: +(358) 9 3480101
FAX: +(358) 9 34801375

France

Honeywell SA
Phone: +(33) 1 60 19 80 40
FAX: +(33) 1 60 19 81 73

Germany

Honeywell AG
Phone: +(49) 69 8064 444
FAX: +(49) 69 8064 442

Hungary

Honeywell Kft.
Phone: +(36 1) 451 4300
FAX: +(36 1) 451 4343

Italy

Honeywell S.p.A.
Phone: +(39) 02 92146 450/
456
FAX: +(39) 02 92146 490

The Netherlands

Honeywell B.V.
Phone: +(31) 20 565 69 11
FAX: +(31) 20 565 66 00

Norway

Honeywell A/S
Phone: +(47) 66 76 20 00
FAX: +(47) 66 76 20 90

Poland

Honeywell Sp. zo.o
Phone: +(48) 22 606 0900
FAX: +(48) 22 606 0901

Portugal

Honeywell Portugal Lda
Phone: +(351 21) 424 50 00
FAX: +(351 21) 424 50 99

Romania

Honeywell Bucharest
Phone: +(40) 1 2110076
FAX: +(40) 1 2103375

Commonwealth of Independent States (CIS)

ZAO Honeywell
Phone: +(7 095) 796 98 36
FAX: +(7 095) 796 98 93

Slovak Republic

Honeywell s.r.o.
Phone: +(421 7) 58247403/400
FAX: +(421 7) 58247 415

South Africa (Republic of)

Honeywell Southern Africa
Honeywell S.A. Pty. Ltd
Phone: +(27) (0) 11 695 8000
FAX: +(27) (0) 11 805 1504

Spain

Honeywell S.A.
Phone: +(34) 91 313 6100
FAX: +(34) 91 313 6129

Sweden

Honeywell AB
Phone: +(46) 8 775 55 00
FAX: +(46) 8 775 56 00

Switzerland

Honeywell AG
Phone: +(41) 1 855 24 40
FAX: +(41) 1 855 24 45

Turkey

Honeywell Turkey A.S.
Phone: +(90) 216 5756620
FAX: +(90) 216 5756637

United Kingdom

Honeywell Control Systems Ltd
Phone: +(44) 1698 481 481
FAX: +(44) 1698 481 276

Mediterranean & African Distributors

Honeywell SpA
Phone: +(39) 2 921 46 232
FAX: +(39) 2 921 46 233

Middle East Headquarters

Honeywell Middle East Ltd.
Phone: +(9712) 443 2119
FAX: +(9712) 443 2536

LATIN AMERICA

Argentina

Honeywell S.A.I.C.
Phone: +(54-11) 4383-3637
FAX: +(54-11) 4325-6470

Brazil

Honeywell do Brasil & Cia
Phone: +(55-11) 7266 1900
FAX: +(55-11) 7266 1905

Chile

Honeywell Chile, S.A.
Phone: +(56-2) 233-0688
FAX: +(56-2) 231-6679

Columbia

Honeywell Columbia, S.A.
Phone: +(57-1) 623-3239/3051
FAX: +(57-1) 623-3395

Ecuador

Honeywell S.A.
Phone: +(593-2) 981-560/1
FAX: +(593-2) 981-562

Mexico

Honeywell S.A. de C.V.
Phone: +(52) 55 5259-1966
FAX: +(52) 55 5570-2985

Peru

Honeywell Peru
Phone: +(511) 445-2136-1891
FAX: +(511) 348-3552

Puerto Rico

Honeywell Inc.
Phone: +(809) 792-7075
FAX: +(809) 792-0053

Trinidad

Honeywell Inc.
Phone: +(868) 624-3964
FAX: +(868) 624-3969

Venezuela

Honeywell CA
Phone: +(58-2) 238-0211
FAX: +(58-2) 238-3391

This publication does not constitute a contract between Honeywell and its customers. The contents may be changed at any time without notice. It is the customer's responsibility to ensure safe installation and operation of the products. Detailed mounting drawings of all products illustrated are available on request. © 2001-2003 Honeywell International Inc. All rights reserved.

Honeywell

Honeywell
21 Chemin du Vieux Chêne
38240 Meylan Cedex
France

Honeywell
11 West Spring Street
Freeport, Illinois 61032
USA