

Interactive Catalog Replaces Catalog Pages

Honeywell Sensing and Control has replaced the PDF product catalog with the new **Interactive Catalog**. The **Interactive Catalog** is a power search tool that makes it easier to find product information. It includes more installation, application, and technical information than ever before.



**Click this icon to try the new
Interactive Catalog.**

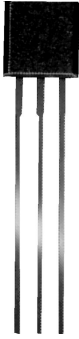
Sensing and Control

Honeywell Inc.

11 West Spring Street
Freeport, Illinois 61032



SUNSTAR自动化 <http://www.sensor-ic.com/> TEL: 0755-83376489 FAX:0755-83376182 E-MAIL:szss20@163.com



OPERATION

2SSP Series position sensors have magnetoresistive material integrated on silicon and encapsulated in a plastic package. The integrated circuit provides a digital output in response to very low magnetic fields. Though this signal is identical to our digital Hall effect sensors, it can be achieved by magnetoresistive sensors at much greater sensor-to-magnet distances. For example, the 2SSP sensing distance is approximately one inch, when operated by a MICRO SWITCH 101MG3 magnet.

OPERATING MODE

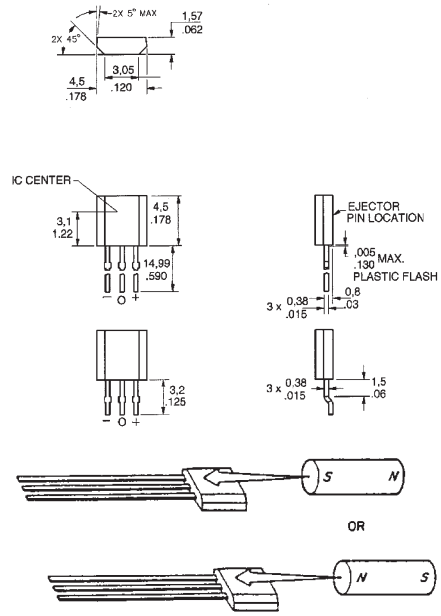
(Arrows indicate direction of magnetic flux.)

2SSP sensors are operated by magnetic fields (North **or** South pole) **parallel** to the magnetoresistive element.

NOTE: Due to the inherent high sensitivity of 2SSP sensors, stray magnetic fields which are parallel to the IC may affect operation.

MOUNTING DIMENSIONS

(For reference only)



FEATURES

- Low gauss operation can extend sensing distance to one inch or more, depending on magnet size
- Digital current sinking output
- Omnipolar – can be operated with either North or South magnetic pole
- Operating speed: 0 to over 100 kHz
- Small size: .18 x .18 inch
- 3-pin, in-line PC board terminals on .100-inch mounting centers
- Operating temperature range: -20° to 85°C (-4° to 185°F)
- Surface mount style available – 2SSP-S

2SSP ORDER GUIDE

Catalog Listing		2SSP/2SSP-S	
Supply Voltage (VDC)		6 to 24	
Supply Current (mA max.)		13.5	
Output Type		Sink	
Output Voltage (V) @ 20mA		.40 max.	
Output Current (mA max.)		20	
Leakage Current (µA max.)		10	
Magnetics Type		Omnipolar	
Magnetic Char. & Temp.			
-20 to 85°C	Max. Op.	Gauss 25	mT 2.5
	Min. Rel.	5	0.5
	Max. Dif.	7	0.7
25°C Typ.	Typ. Op.	15	1.5
	Typ. Rel.	11	1.1
	Typ. Dif.	4	0.4

Magnets page 25.
 mT = milliTesla

Digital