

# OEM Relative and absolute pressure transmitter type 515

Pressure range  
-1 ... 0 – 600 bar

Type 515 pressure transmitter with cable connection meets the highest demands for industry and vehicle manufacturing applications.

The compact and robust mechanical design incorporating protection standard IP69K allows the use in stringent conditions.

- Compact, rugged construction for highest operational reliability
- Negligible temperature influence on accuracy
- Excellent EMC capacity



**Technical overview****Pressure range**

Relative	-1 ... 0 – 600 bar
Absolute	0 ... 25 bar

**Operating conditions**

Medium		Liquids
Temperature	FPM	-15 ... +125 °C
	EPDM	-25 ... +125 °C
	NBR	-25 ... +85 °C
	FPM spec.	-40 ... +150 °C
	Ambient	max. +85 °C
Tolerable overload / repute pressure <sup>1)</sup>	-1 ... 4 bar	3.0 x fs
	6 ... 600 bar	2.5 x fs (max. 900 bar)

**Materials**

Case		Stainless steel 1.4305 / AISI 303
Materials in contact with the medium	Pressure connection	Stainless steel 1.4305 / AISI 303
	Sensor	Ceramic Al <sub>2</sub> O <sub>3</sub> (96%)
	Media stop system	PPS
	Sealing material	FPM, EPDM, NBR, FPM spec.

**Media stop system**

Patented media stop system to prevent media egress when exceeding rupture pressure range (> 40 bar nominal value).

**Electrical overview**

	Output	Power supply	Load	Current consumption <sup>2)</sup>
2 wire	4 ... 20 mA	8.0 ... 33 VDC	< $\frac{\text{supply voltage} - 8 \text{ V}}{0.02 \text{ A}}$ [Ohm]	< 20 mA
	0 ... 5 V	8.0 ... 33 VDC	>10 kOhm / < 100 nF	< 4 mA
	1 ... 6 V	8.0 ... 33 VDC	>10 kOhm / < 100 nF	< 4 mA
3 wire	0 ... 10 V	11.4 ... 33 VDC	>10 kOhm / < 100 nF	< 4 mA
	0 ... 10 V	24 VAC ±15%	>10 kOhm / < 100 nF	< 4 mA
	ration. 10 ... 90%	5 VDC ±5%	>10 kOhm / < 100 nF	< 4 mA
Polarity reversal protection	Short circuit proof and protected against polarity reversal. Each connection is protected against crossover up to max. supply voltage.			
Insulation voltage			standard	500 VDC
			optional	1000 VDC

**Dynamic response**

Response time	< 2 ms, typ. 1 ms
Load cycle	< 100 Hz

**Protection standard**

IP 69K

**Electrical connection**

Cable PUR 1.5 m

**Pressure connection**

Inside thread	G ¼ with O-Ring seal
	G ¼ sealed at back, DIN 3852 form E
Outside thread	G ½ sealed at front
	G ½ sealed at back and manometer (combi)
	¼ -18 NPT
	R ¼, DIN 2999
	M12x1.5, sealed at back, DIN 3852 form E
	M14x1.5, sealed at back, DIN 3852 form E

**Installation arrangement**

Unrestricted

**Tests / Admissions**

Electromagnetic compatibility	CE conformity acc. EN 61326-2-3
Shock acc. IEC 60068-2-27	40 g, 6 ms half sine wave, all 3 directions. Free fall from 2 m on concrete (6x)
Constant shock acc. IEC 60068-2-29	40 g for 6 ms, 1000 x all 3 directions
Vibration acc. IEC 60068-2-6	25 g, 2 ... 2000 Hz with amplitude ± 15 mm, 1 Octave/min. all 3 directions, 50 constant load

**Weight**

With thread G ½	~ 225 g
All other versions	~ 180 g

**Packaging (Please state on order)**

Single packaging in cardboard  
Multiple packaging in cardboard per 25 pcs.

Parameter		Unit	
Tolerance zero point	max.	% fs	± 0.3
Tolerance full scale	max.	% fs	± 0.3
Resolution		% fs	0.1
Total of linearity, hysteresis and repeatability	max.	% fs	± 0.3
Long term stability acc. DIN EN 60770		% fs	± 0.5
TC zero point <sup>1)</sup>	max.	% fs/10K	± 0.15
TC sensitivity <sup>1)</sup>	max.	% fs/10K	0/-0.3

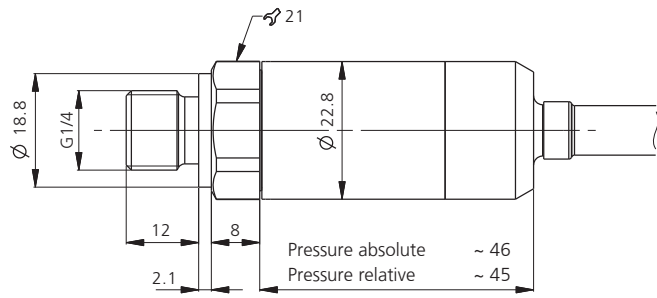
Test conditions: 25 °C, 45% RH, power supply 24 VDC  
TC z.p. / TC s. -25 ... +85 °C

Order code selection table in bar			515. X X X X X X X X X X																		
Pressure mode	Relative		9																		
	Absolute		8																		
Pressure range <sup>2)</sup>	-1 ... + 0 bar		9	0	0																
	0 ... + 1 bar			1	1																
	0 ... + 1.6 bar			1	2																
	0 ... + 2.5 bar			1	4																
	0 ... + 4 bar			1	5																
	0 ... + 6 bar			1	7																
	0 ... + 10 bar			3	0																
	0 ... + 16 bar			3	1																
	0 ... + 25 bar			3	2																
	0 ... + 40 bar		9	3	3																2
	0 ... + 60 bar		9	4	0																2
	0 ... + 100 bar		9	4	1																2,5
	0 ... + 160 bar		9	4	2																2,5
	0 ... + 250 bar		9	4	3																2,5
0 ... + 400 bar	FPM spec. seal only		9	5	4	6														2,5	
0 ... + 600 bar	FPM spec. seal only		9	5	5	6														2,5	
▲ Full scale signale at these pressures																					
Sealing material <sup>3)</sup>	FPM	Fluoro elastomer																			0
	EPDM	Ethylene propylene																			1
	NBR	Butadiene Acrylonitrile																			2
	FPM spec.	Fluoro elastomer spec.																			6
Adjustment	Factory																				0
Output / power supply	0 ... 5 V	8.0 ... 33 VDC																			1
	1 ... 6 V	8.0 ... 33 VDC																			6
	0 ... 10 V	11.4 ... 33 VDC																			2
	4 ... 20 mA	8.0 ... 33 VDC																			3
	ration. 10 ... 90%	5 VDC ±5%																			4
Electrical connection	Cable 1.5 m PUR																				0
Pressure connection <sup>4)</sup>	Inside thread	G ¼ mit O-Ring seal																			1
	Outside thread	G ¼ sealed at back, DIN 3852 form E																			4
	Outside thread	G ½ sealed at front																			9
	Outside thread	G ½ sealed at back and manometer (combi)																			8
	Outside thread	¼ -18 NPT																			3
	Outside thread	R ¼, DIN 2999																			7
	Outside thread	M12x1.5, sealed at back, DIN 3852 form E																			5
	Outside thread	M14x1.5, sealed at back, DIN 3852 form E																			6
Version	Stainless steel without media stopper																				1
	Stainless steel with media stopper (standard from 40 bar)																				2
	Stainless steel with pressure tip orifice (from 100 bar on)																				5
Pressure range variation	Indicate W and state range on order (e.g.: W0... + 8bar/OUT1...9V)																				W

Order code selection table in psi		515.	X	X	X	X	X	X	X	X	X	X	X	X
Pressure mode	Relative	9												
	Absolute	8												
Pressure range <sup>1)</sup>	-30 ... + 0" hg	9	A	0										
	0 ... + 15 psi		B	1										
	0 ... + 30 psi		B	4										
	0 ... + 60 psi		B	5										
	0 ... + 100 psi		B	7										
	0 ... + 200 psi		C	1										
	0 ... + 300 psi		C	2										
	0 ... + 500 psi	9	C	3										
	0 ... + 750 psi	9	D	0									2	
	0 ... + 1000 psi	9	D	1									2	
	0 ... + 2000 psi	9	D	2									2,5	
	0 ... + 3000 psi	9	D	3									2,5	
	0 ... + 5000 psi FPM spec. seal only	9	E	4	6								2,5	
	0 ... + 7500 psi FPM spec. seal only	9	E	5	6								2,5	
▲ Full scale signale at these pressures														
Sealing material <sup>2)</sup>	FPM Fluoro elastomer												0	
	EPDM Ethylene propylene												1	
	NBR Butadiene Acylonitrile												2	
	FPM spec. Fluoro elastomer spec.												6	
Adjustment	Factory												0	
Output / power supply	0 ... 5 V 8.0 ... 33 VDC												1	
	1 ... 6 V 8.0 ... 33 VDC												6	
	0 ... 10 V 11.4 ... 33 VDC												2	
	4 ... 20 mA 8.0 ... 33 VDC												3	
	ration. 10 ... 90% 5 VDC ±5%												4	
Electrical connection	Cable 1.5 m PUR												0	
Pressure connection <sup>3)</sup>	Inside thread G ¼ mit O-Ring seal													1
	Outside thread G ¼ sealed at back, DIN 3852 form E													4
	Outside thread G ½ sealed at front													9
	Outside thread G ½ sealed at back and manometer (combi)													8
	Outside thread ¼ -18 NPT													3
	Outside thread R ¼, DIN 2999													7
	Outside thread M12x1.5, sealed at back, DIN 3852 form E													5
	Outside thread M14x1.5, sealed at back, DIN 3852 form E													6
Version	Stainless steel without media stopper													1
	Stainless steel with media stopper (standard from 750 psi)													2
	Stainless steel with pressure tip orifice (from 2000 psi bar on)													5
Pressure range variation	Indicate W and state range on order (e.g.: W0 ... + 120psi/OUT1...9V)													W

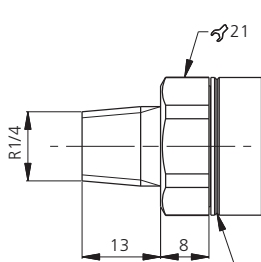
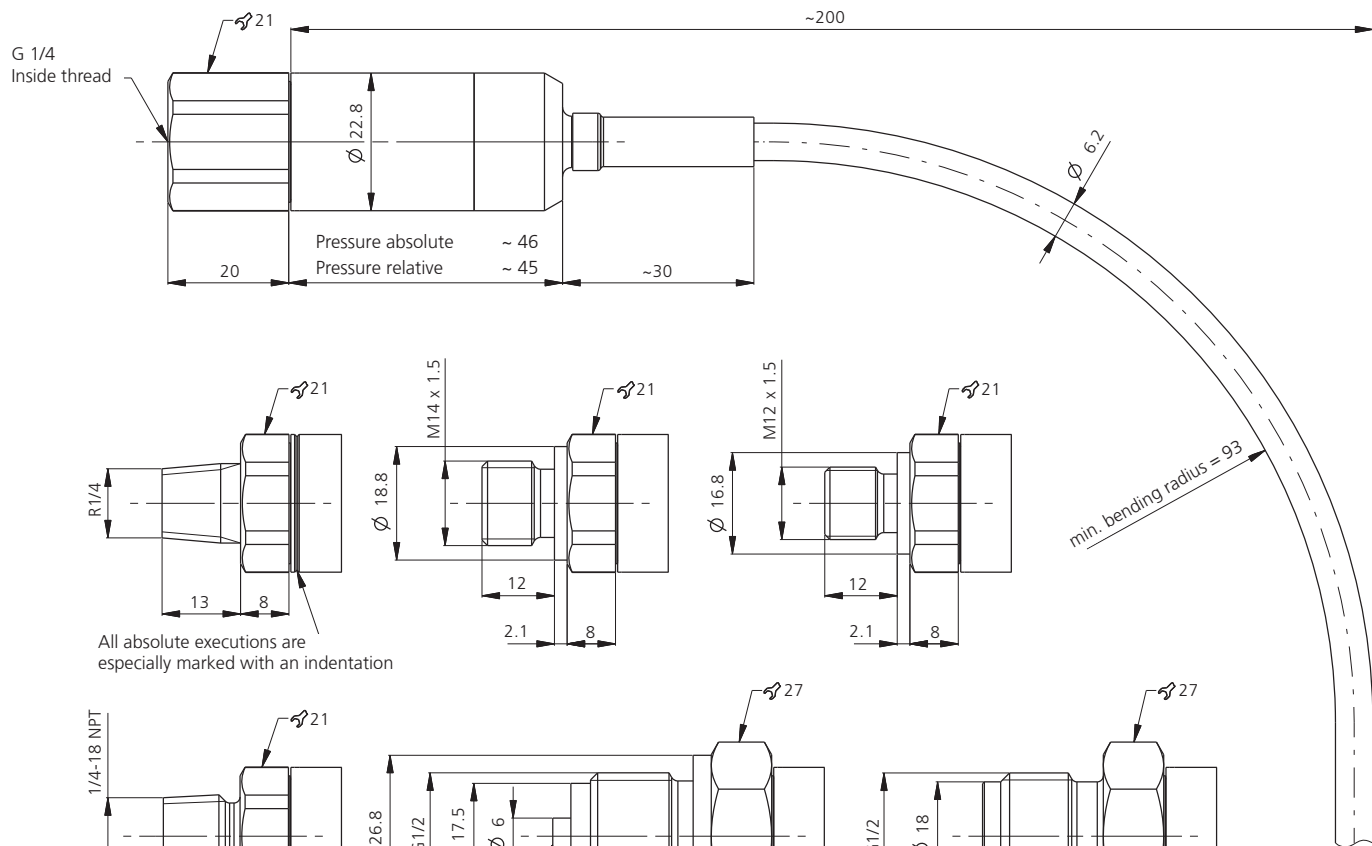
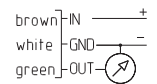
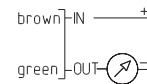
Order code selection table in MPa		515.	X	X	X	X	X	X	X	X	X	X	X	X
Pressure mode	Relative	9												
	Absolute	8												
Pressure range <sup>1)</sup>	-0.1 ... + 0 MPa	9	F	0										
	0 ... + 0.1 MPa		G	1										
	0 ... + 0.16 MPa		G	2										
	0 ... + 0.25 MPa		G	4										
	0 ... + 0.4 MPa		G	5										
	0 ... + 0.6 MPa		G	7										
	0 ... + 1 MPa		H	0										
	0 ... + 1.6 MPa		H	1										
	0 ... + 2.5 MPa		H	2										
	0 ... + 4 MPa	9	H	3										2
	0 ... + 6 MPa	9	K	0										2
	0 ... + 10 MPa	9	K	1										2,5
	0 ... + 16 MPa	9	K	2										2,5
	0 ... + 25 MPa	9	K	3										2,5
	0 ... + 40 MPa FPM spec. seal only	9	L	4	6									2,5
	0 ... + 60 MPa FPM spec. seal only	9	L	5	6									2,5
▲ Full scale signale at these pressures														
Sealing material <sup>2)</sup>	FPM Fluoro elastomer													0
	EPDM Ethylene propylene													1
	NBR Butadiene Acylonitrile													2
	FPM spec. Fluoro elastomer spec.													6
Adjustment	Factory												0	
Output / power supply	0 ... 5 V 8.0 ... 33 VDC													1
	1 ... 6 V 8.0 ... 33 VDC													6
	0 ... 10 V 11.4 ... 33 VDC													2
	4 ... 20 mA 8.0 ... 33 VDC													3
	ration. 10 ... 90% 5 VDC ±5%													4
Electrical connection	Cable 1.5 m PUR													0
Pressure connection <sup>3)</sup>	Inside thread G ¼ mit O-Ring seal													1
	Outside thread G ¼ sealed at back, DIN 3852 form E													4
	Outside thread G ½ sealed at front													9
	Outside thread G ½ sealed at back and manometer (combi)													8
	Outside thread ¼ -18 NPT													3
	Outside thread R ¼, DIN 2999													7
	Outside thread M12x1.5, sealed at back, DIN 3852 form E													5
	Outside thread M14x1.5, sealed at back, DIN 3852 form E													6
Version	Stainless steel without media stopper													1
	Stainless steel with media stopper (standard from 4 MPa)													2
	Stainless steel with pressure tip orifice (from 10 MPa on)													5
Pressure range variation	Indicate W and state range on order (e.g.: W0... + 8MPa/OUT1...9V)													W

<sup>1)</sup> Other pressure ranges on request. <http://www.sensor-ic.com/> SUNSTAR 自动化 <http://www.sensor-ic.com/> TEL: 0755-83376489 FAX: 0755-83376182 E-MAIL: szss20@163.com <sup>2)</sup> Other sealing materials on request. <sup>3)</sup> Other pressure connections on request.

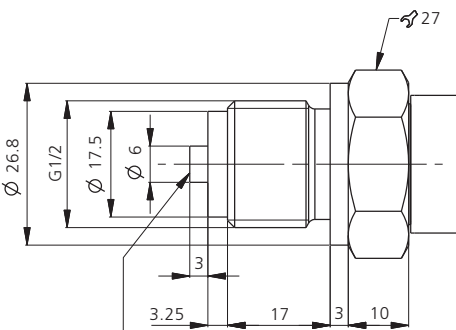
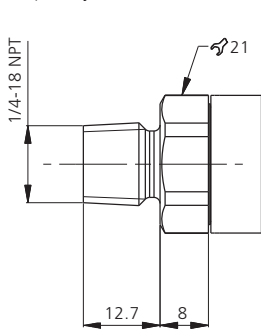
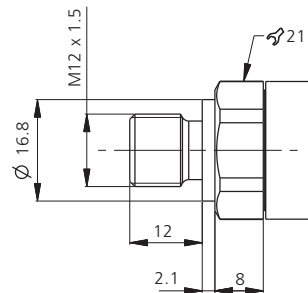
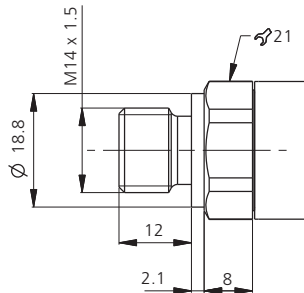


2-wire  
(4 ... 20 mA)

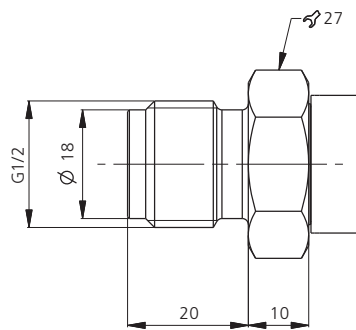
3-wire



All absolute executions are especially marked with an indentation



manometer connector



# Huba Control

FOR FINE PRESSURE AND FLOW MEASUREMENT

**Huba Control AG**  
**Headquarters**

Industriestrasse 17  
5436 Würenlos  
Telefon +41 (0) 56 436 82 00  
Telefax +41 (0) 56 436 82 82  
[info.ch@hubacontrol.com](mailto:info.ch@hubacontrol.com)

**Huba Control AG**  
**Niederlassung Deutschland**

Schlattgrabenstrasse 24  
72141 Walddorfhäslach  
Telefon +49 (0) 7127 23 93 00  
Telefax +49 (0) 7127 23 93 20  
[info.de@hubacontrol.com](mailto:info.de@hubacontrol.com)

**Huba Control SA**  
**Succursale France**

Rue Lavoisier  
Technopôle Forbach-Sud  
57602 Forbach Cedex  
Téléphone +33 (0) 387 847 300  
Télécopieur +33 (0) 387 847 301  
[info.fr@hubacontrol.com](mailto:info.fr@hubacontrol.com)

**Huba Control AG**  
**Vestiging Nederland**

Hamseweg 20A  
3828 AD Hoogland  
Telefoon +31 (0) 33 433 03 66  
Telefax +31 (0) 33 433 03 77  
[info.nl@hubacontrol.com](mailto:info.nl@hubacontrol.com)

**Huba Control AG**  
**Branch Office United Kingdom**

Unit 13 Berkshire House  
County Park Business Centre  
Shrivenham Road  
Swindon - Wiltshire SN1 2NR  
Phone +44 (0) 1993 776667  
Fax +44 (0) 1993 776671  
[info.uk@hubacontrol.com](mailto:info.uk@hubacontrol.com)

[www.hubacontrol.com](http://www.hubacontrol.com)