

Torque Sensor

Mini-Smart Torque Sensor

Type 4502A...

Type 4502A... torque sensors operate on the strain gage principle and supply an analog output signal of 0 ... ± 5 VDC which is contactless transferred. Available also with integrated rotational angle/speed measurement.

- Smart (integral measuring electronics)
- Interference resistance due to active torque output (± 5 VDC), electrically isolated from supply and measuring signal
- Non-contact signal transfer
- Unipolar supply
- Highly responsive to dynamic peaks
- Maintenance-free
- Standardized mechanical connections:
 - 1/4" hex socket DIN3126
 - Square socket (size depending on measuring range)
 - Cylindrical shaft ends
- Extremely compact
- Suitable for pulse tool operation
- Optional rotational angle measurement

Description

The Mini-Smart torque sensor uses strain gage technology. The torque signal is transmitted from the rotating shaft via frequency modulation and is processed as an analog signal.

The rotational angle signal with two tracks of each 360 pulses per revolution and track is available as TTL-signal. An external electrical control input is standard.

Application

The Mini-Smart torque sensor with rotating measuring shaft is suitable both for dynamical detection of starting torque and breakway torque for bolting and assembly techniques and for quality assurance in production and laboratory.

Due to its standardized connections the device can be quickly adapted to air, electronic and pulse tools.



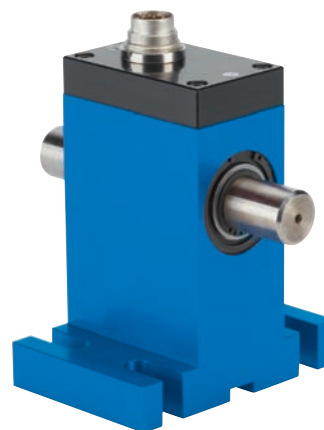
Version Q/QA



Version H/HA



Version R/RA



Version RAU

4502A_000-597e-04.08

Technical Data

Mechanical Basic Data

Measuring range	N·m	±0,5 ... 1 000
Rated torque M_{nom}	N·m	0,5 ... 1 000
Overload capacity		
Service torque		1,5 x M_{nom}
Limiting torque		1,5 x M_{nom}
Rotational angle/- speed measur. (Version QA, HA, RA, RAU)	pulses/ revolut.	2x360, 90° displaced, TTL
Nominal speed		
≤18 N·m	1/min	12 000
20 ... 160 N·m	1/min	9 000
250 ... 1 000 N·m	1/min	7 000
Version QA, HA, RA, RAU (rotational angle measurement)	1/min	7 000
Housing material		Anodized aluminum
Protection class		IP40

General Electrical Specifications

Cut-off frequency -3 dB	kHz	3
Accuracy class		0,2

Linearity error including hysteresis	% FSO	<±0,2
Output signal	VDC	±0 ... 5
at rated torque (rated value)	VDC	5
Load resistance	kΩ	>10
Temp. influence on the zero point	% FSO/°C	<±0,015
Temp. influence on the nominal value	% FSO/°C	<±0,015
Control signal	%	100 ±0,2
100 % control input	VDC	"On" 5 ... 30 "Off" 0 ... 2
Operating temperature range (Rated temperature range)	°C	10 ... 60
Service temperature range	°C	0 ... 70
Storage temperaure range	°C	-25 ... 80
Electrical connection		12 pin built-in connector
Supply voltage	VDC	11 ... 26
Power consumption	W	<1

Dimensions



Torque sensor with standard square socket connection

Version Q

- With rotating shaft
- Drive - square socket
- Output - square drive

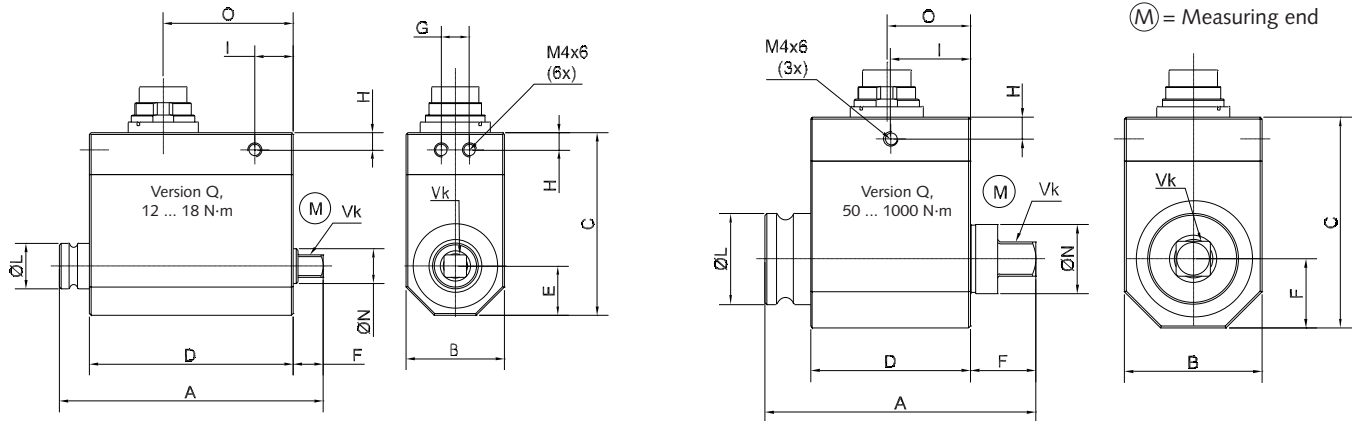


Table Version Q

Threads for mounting: M4, 6 mm depth

Type	Measuring range N·m	Square size	A	B	C	D	E	F	G	H	I	øL	øN	O	Axial force N max.	Radial force N max.
4502A12Q	12	1/4"	75	28	52	58	14	8,5	8	5	11	13	10	37	150	30
4502A18Q	18	1/4"	75	28	52	58	14	8,5	8	5	11	13	10	37	150	30
4502A50Q	50	3/8"	74,5	38	58	44	19	18	*	6	22	25	19	23	500	60
4502A63Q	63	3/8"	74,5	38	58	44	19	18	*	6	22	25	19	23	500	60
4502A100Q	100	1/2"	79	38	58	44	19	22,5	*	6	22	25	19	23	700	100
4502A150Q	150	1/2"	79	38	58	44	19	22,5	*	6	22	25	19	23	1 000	100
4502A160Q	160	1/2"	79	38	58	44	19	22,5	*	6	22	25	19	23	1 000	100
4502A250Q	250	3/4"	97	58	76	50	29	30	*	5	25	40	30	27	2 000	150
4502A300Q	300	3/4"	97	58	76	50	29	30	*	5	25	40	30	27	2 000	150
4502A500Q	500	3/4"	97	58	76	50	29	30	*	5	25	40	30	27	2 000	150
4502A1KQ	1 000	1"	112	73	90	57	36,5	34,5	*	5	28,5	50	40	28	4 000	250

Axial and radial force values apply for unsecured housing

4502A_000-597e-04.08

Dimensions



Torque sensor with standard square socket connection

Version QA

- With rotating shaft
- Drive - inside square socket
- Output - external square drive
- Rotational angle measurement

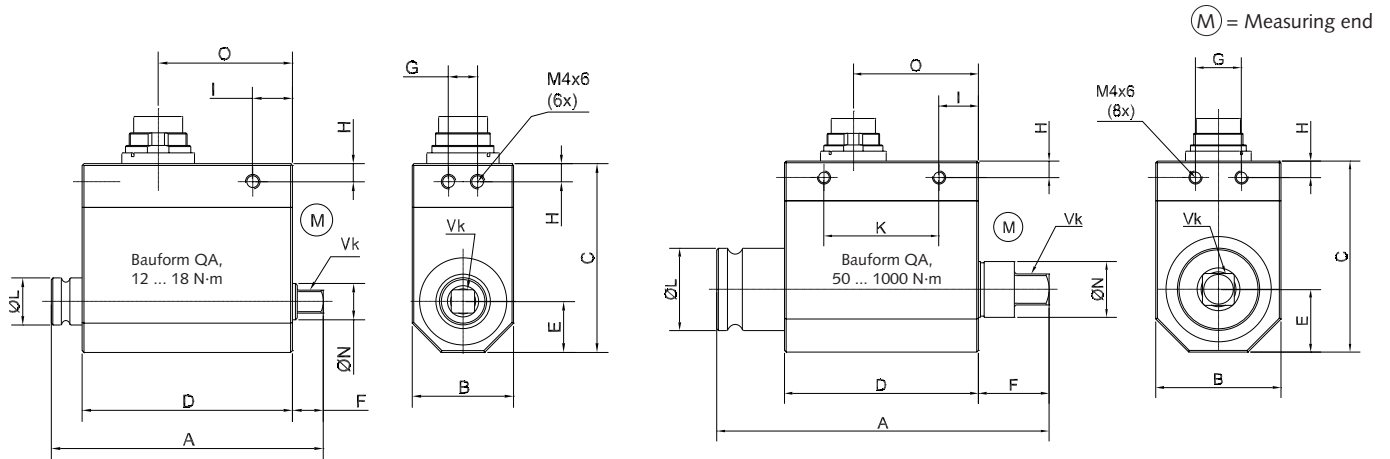


Table Version QA (with rotational angle measurement)

Threads for mounting: M4, 6 mm depth

Type	Measuring range N·m	Square size	A	B	C	D	E	F	G	H	I	K	øL	øN	O	Axial force N max.	Radial force N max.
4502A12QA	12	1/4"	75	28	52	58	14	8,5	8	5	11	–	13	10	37	150	30
4502A18QA	18	1/4"	75	28	52	58	14	8,5	8	5	11	–	13	10	37	150	30
4502A50QA	50	3/8"	101	38	58	59	19	21,5	14	5	12	35	25	17	38	500	60
4502A63QA	63	3/8"	101	38	58	59	19	21,5	14	5	12	35	25	17	38	500	60
4502A100QA	100	1/2"	106	38	58	59	19	26	14	5	12	35	25	17	38	700	100
4502A150QA	150	1/2"	106	38	58	59	19	26	14	5	12	35	25	17	38	1 000	100
4502A160QA	160	1/2"	106	38	58	59	19	26	14	5	12	35	25	17	38	1 000	100
4502A250QA	250	3/4"	135	58	76	64	29	40	30	5	14	36	40	30	40	2 000	150
4502A300QA	300	3/4"	135	58	76	64	29	40	30	5	14	36	40	30	40	2 000	150
4502A500QA	500	3/4"	135	58	76	64	29	40	30	5	14	36	40	30	40	2 000	150
4502A1KQA	1 000	1"	177	73	90	73	36,5	57,5	45	5	14	45	50	40	44	4 000	250

Axial and radial force values apply for unsecured housing

4502A_000-597e-04.08

Dimensions



Torque sensor with standard 1/4" hex
DIN3126 form E/F, Version H or HA

- With rotating shaft
- Drive - hex shaft
- Output - hex socket
- Rotational angle measurement (Version HA)
- Quick action chuck

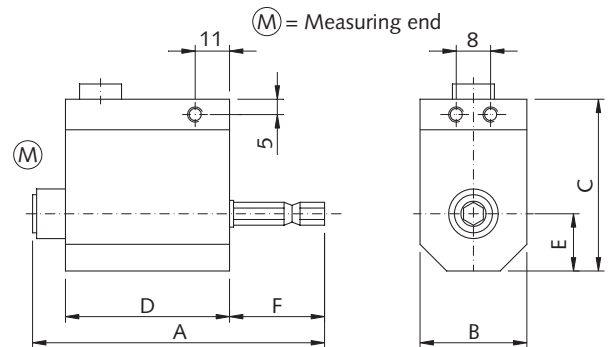


Table Version H or HA (with rotational angle measurement)

Threads for mounting: 6x M4, 6 mm depth

Type	Measuring range N·m	A	B	C	D	E	F	Axial force N max.	Radial force N max.
4502A0.5H, ...HA	0,5	101	28	52	58	14	28	20	5
4502A1H, ...HA	1	101	28	52	58	14	28	50	10
4502A2H, ...HA	2	101	28	52	58	14	28	50	20
4502A6H, ...HA	6	101	28	52	58	14	28	150	40
4502A12H, ...HA	12	101	28	52	58	14	28	150	40
4502A18H, ...HA	18	101	28	52	58	14	28	200	40

Axial and radial force values apply for unsecured housing

Dimensions



Torque sensor 1 ... 50 N·m with shaft end,
Version R or RA

- With rotating shaft
- Rotational angle measurement (Version RA)

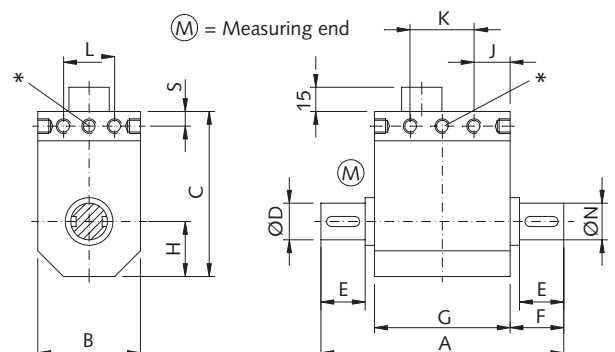


Table Version R or RA (with rotational angle measurement)

Threads for mounting: M4, 6 mm depth

Type	Measuring range N·m	A	B	C	øD g6	E	F	G	H	S	J	K	L	N	Axial force N max.	Radial force N max.
4502A1R, ...RA	1	92	28	52	10	16	17	58	14	5	11	-	8	shaft	20	5
4502A2R, ...RA	2	92	28	52	10	16	17	58	14	5	11	-	8	shaft	50	5
4502A5R, ...RA	5	92	28	52	10	16	17	58	14	5	11	-	8	shaft	50	10
4502A10R, ...RA	10	92	28	52	10	16	17	58	14	5	11	-	8	shaft	150	20
4502A20R	20	108	38	58	19	30	32	44	19	6	22	-	14	s/k**	150	30
4502A50R	50	108	38	58	19	30	32	44	19	6	22	-	14	s/k**	200	50
4502A20RA	20	104	38	58	16	20	23	59	19	5	12	35	14	s/k**	150	50
4502A50RA	50	104	38	58	16	20	23	59	19	5	12	35	14	s/k**	200	50

Axial and radial force values apply for unsecured housing

**With feather keyways (2x180°) according to DIN6885

* For versions ...20R and ...50R side and frontal (measuring side) only one thread each (3xM4, 6 mm deep)

Dimensions



Torque sensor 100 ... 1 000 N·m with shaft end and separate mounting base, Version RA

- With rotating shaft
- Rotational angle measurement

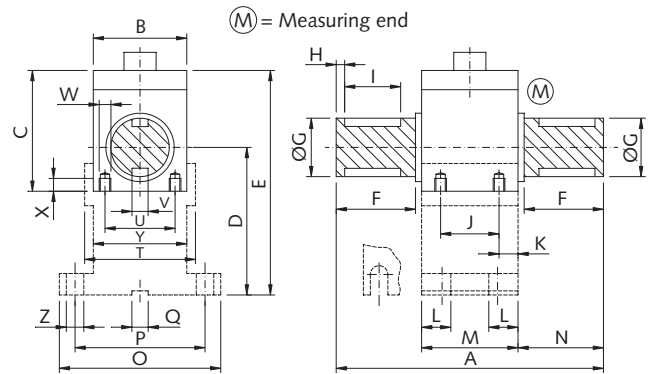


Table Version RA (with rotational angle measurement)

Type	Measuring range N·m	A	B	C	D	E	F	øG g6	H	I	J	K	L	M	N	O	P
4502A100RA	100	125	58	76	112	159	27	28	2	22	39	12,5	20	64	30,5	120	100
4502A200RA	200	125	58	76	112	159	27	28	2	22	39	12,5	20	64	30,5	120	100
4502A500RA	500	197	73	90	112	165,5	58	42	3	50	37	18	25	73	62	120	100
4502A1KRA	1 000	197	73	90	112	165,5	58	42	3	50	37	18	25	73	62	120	100

Type	Measuring range N·m	Q P9	T	U	V P9	W	X	Y	Z	Axial force N max.	Radial force N max.
04502A100RA	100	10	68	43	8	M5 4x	8	–	10	400	250
4502A200RA	200	10	68	43	8	M5 4x	8	–	10	400	300
4502A500RA	500	10	83	52	14	M6 4x	10	73	10	800	400
4502A1KRA	1 000	10	83	52	14	M6 4x	10	73	10	1 000	400

Axial and radial force values apply for unsecured housing

4502A_000-597e-04.08

Dimensions

Torque sensor with shaft end and integral mounting base,
Version RAU

- This version can be used as functional check on tilt procedure or rotation monitoring
- Variable mounting positions, applications for left and right hand torque readings as well as the static and dynamic conditions are possible
- All RAU type sensors have an integrated rotational angle measurement

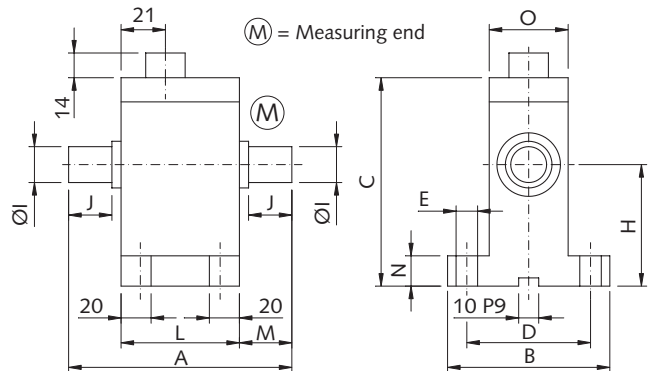


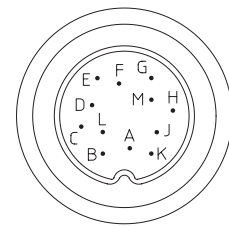
Table Version RAU (with rotational angle measurement)

Type	Measuring range N·m	A	B	C	D	E	H	øI g6	J	L	M	N	O	Size	Axial force N max.	Radial force N max.
04502A1RAU	1	90	58	83	45	7	45	10	15	58	16	12	28	1	20	15
4502A2RAU	2	90	58	83	45	7	45	10	15	58	16	12	28	1	50	25
4502A5RAU	5	90	58	83	45	7	45	10	15	58	16	12	28	1	100	50
4502A10RAU	10	90	58	83	45	7	45	10	15	58	16	12	28	1	150	50
4502A20RAU	20	106	85	102	60	9	63	17	22	59	23	15	38	2	150	150
4502A50RAU	50	106	85	102	60	9	63	17	22	59	23	15	38	2	200	150

Electrical Connections

Pin Allocation of the 12 Pin Built-in Connector

Function	PIN	Description
Supply	F E	+U _B GND 11 ... 26 VDC, power consumption <1 W Ground relating to U _B and angle of rotation pulses
Shield	M	In sensor connected to housing
Torque output	C	U _A ±5 VDC at M _{nom} at >2 kΩ 5 VDC at control signal activation R _{i,c} = 10 Ω, output short circuit proof relating to AGND
	D	AGND Ground relating to U _A
Angle of rotation sensor Supply Angle of rotation pulses	H	+U _B 5 VDC
	B	Track A Open collector output Internal 1 kΩ resistance to 5 VDC (pull up), TTL-level
	G	Track B As Track A, 90° displaced
100 % control input	K	Control Off: 0 ... 2 VDC On: 5 ... 30 VDC
	A	KGND Ground relating to control input
	J	Not connected



4502A_000-597e-04.08

Included Accessories

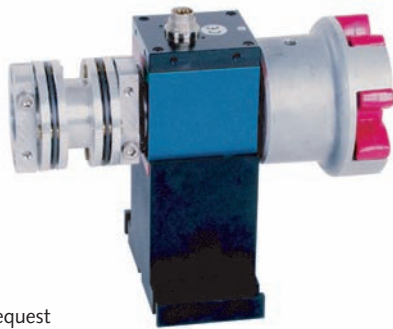
- None

Optional Accessories

- Mounting base, for Version RA ranges 100 ... 200 N·m **Type/Art. No.** KMS020014
- Mounting base, for Version RA ranges 500 ... 1 000 N·m **Type/Art. No.** KMS020015
- Female connector with solder eye 12 pin **Type/Art. No.** KSM000703
- Connection cable, 5 m, 12 pin – open ends **Type/Art. No.** KSM124970-5
- Connection cable, 2,5 m, 12 pin – CoMo Torque **Type/Art. No.** KSM185380-2,5
- Amplifier for strain gage sensors **Type/Art. No.** 4701A...

Individual Application

The diverse model range guarantees user-friendly application such as tool calibration or in test stands – with or without mounting base.



Couplings on request

Application Example

Power tool control



Ordering Key

Type 4502A

Measuring Ranges in N·m/

Possible Versions

0,5	-	-	H	HA	-	-	-	-	0,5
1	-	-	H	HA	R	RA	RAU	-	1
2	-	-	H	HA	R	RA	RAU	-	2
5	-	-	-	-	R	RA	RAU	-	5
6	-	-	H	HA	-	-	-	-	6
10	-	-	-	-	R	RA	RAU	-	10
12	Q	QA	H	HA	-	-	-	-	12
18	Q	QA	H	HA	-	-	-	-	18
20	-	-	-	-	R	RA	RAU	-	20
50	Q	QA	-	-	R	RA	RAU	-	50
63	Q	QA	-	-	-	-	-	-	63
100	Q	QA	-	-	-	RA	-	-	100
150	Q	QA	-	-	-	-	-	-	150
160	Q	QA	-	-	-	-	-	-	160
200	-	-	-	-	-	RA	-	-	200
250	Q	QA	-	-	-	-	-	-	250
300	Q	QA	-	-	-	-	-	-	300
500	Q	QA	-	-	-	RA	-	-	500
1 000	Q	QA	-	-	-	RA	-	-	1K

Versions

(Note Dependence with Measuring Range)

Square socket	Q
Square socket with rotational angle meas.	QA
1/4" hex socket	H
1/4" hex socket with rotational angle meas.	HA
Rotating shaft	R
Rotating shaft with rotational angle meas.	RA
Rotating shaft with rotational angle meas. and integral mounting base	RAU

Order example:

Type 4502A18HA

Torque sensor: rated torque **18 N·m**, Version **HA**: 1/4" hex socket with angle measurement