

# Signal Processing Module

Type M635A...

## High-voltage

The high-voltage signal processing module Type M635A... is used in crash measuring technique for potentialfree measuring of voltages up to 1 000 V with an accuracy better than 0,1 %FS.

- Input voltage  $\pm 1\,000\text{ V}$
- Galvanic isolation up to 1 500 V
- Shock resistant up to 200 g
- Band width (3 dB) up to 10 kHz
- Linearity error better  $\pm 0,025\%$
- ID module integrable

### Description

The high-voltage signal processing module is made of two galvanically separated assemblies: a) the high-voltage part of galvanically separated supply and b) the low-voltage part with clock generator and supply. A clock signal with defined frequency is generated out of the voltage supply. It is amplified by the power converter and transformed to the needed ac voltage. The supply voltage is transmitted to the supply part "isolated power supply unit" via the downstream transformer. It is therefore galvanically separated. The input voltage is modulated to the AC voltage (modulator frequency) of the high-voltage supply and – also galvanically separated – transmitted by the second transformer from the output to the demodulator of the low-voltage part. The demodulator separates the high modulated signal of the modulation frequency and conducts it to the following instrumentation amplifier. The standardized bipolar output signal is available with output voltages of  $\pm 0,5 \dots \pm 2,5\text{ V}$ . The optional available ident module, e.g. UPS module, is readout and addressed by the KAL-wire of the measuring system. The Dallas-ID is readout via the 1-wire-bus. In order to apply the ident functionality, the used measuring system must support the particular functions. The high-voltage cable is supplied with two pin plugs. More information on this subject is available on request.

### Application

The high-voltage signal processing module Type M635A... is used in crash measuring technique for potentialfree measuring of voltages up to 1 000 V with an accuracy better than 0,1 %FS. Typical application areas are the potential-free measurements of energy storages and electrical links of electric, hybrid and combustion vehicles.



### Technical Data

Input voltage	V	$\pm 1\,000$
Output voltage	V	$\pm 2,5$
Output DC voltage potential <sup>1)</sup>	V	5
Sensitivity amplification (typ.)	mV/V	2,5
Resolution (noise)	mV	<2,5
Input resistance	M $\Omega$	10
Accuracy <sup>2)</sup>	%	<0,1
Amplitude non-linearity (FS)	%	0,025
Band width (3 dB)	kHz	0 ... 10
Galvanic isolation		
CMV, input - output <sup>3)</sup>	V rms max.	1 500
Stability with temperature change		
ZMO change	$\mu\text{V}/^\circ\text{C}$	$\pm 120$
sensitivity change	%/ $^\circ\text{C}$	$\pm 0,0075$
Zero measurand output	mV	<1
Output resistance ( $\pm 1\%$ )	$\Omega$	2x560
Supply voltage ( $\pm 0,2$ )	V	10
Current consumption	mA	<30
Crash firmness <sup>4)</sup>	g	200
Operation temperature range	$^\circ\text{C}$	0 ... 70
Storage temperature range	$^\circ\text{C}$	-40 ... 85
Dimensions	mm	87x68x24,6
Ident module	unit	1

All values measured at 25  $^\circ\text{C}$ , related to 5 V output potential.

<sup>1)</sup> All measured values in this specification relate to the output  $\pm 2,5\text{ V}$ , related to 5 V output d.c. voltage potential

<sup>2)</sup> Inc. linearity, hysteresis (FS; optional 0,01)

<sup>3)</sup> According to ANSI/IEEE C37.90.1

<sup>4)</sup> 10 ms half sine

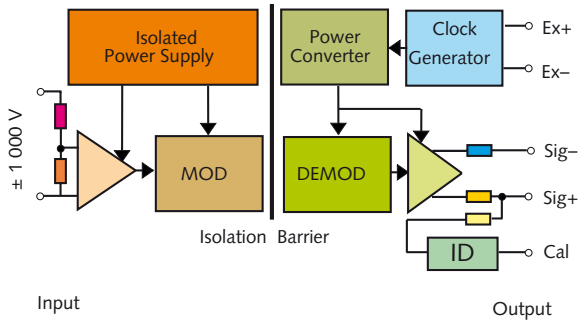


Fig. 1: Schematic diagram

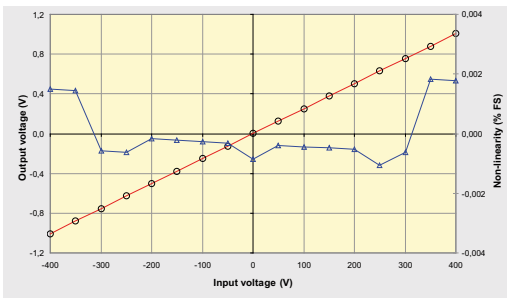


Fig. 2: Voltage chart

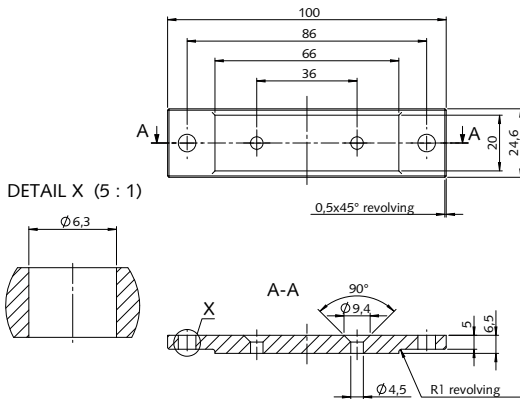


Fig. 3: Mounting plate

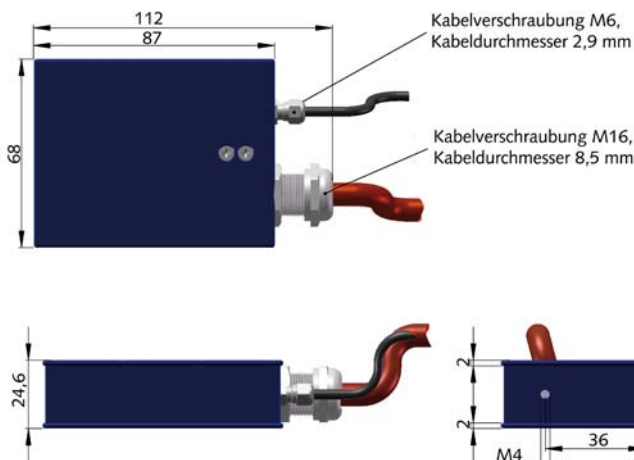


Fig. 4: Dimensions

**Included Accessories**

- None

**Optional Accessories**

- Mounting plate (screws incl.)

**Type No.**  
M070MP635

**Ordering Key**

**Output**

Standard Application	
±0,5 V, DC potential 5 V <sup>1)</sup>	HM1
On Request	
±2,5 V, DC potential 5 V	HM0
±0,5 V, DC potential 2,5 V	HM2

**Plug Type HV**

Pin plug 0,5 m cable	A
Pin plug 8 m cable	B

**Cable Length before Additional Electronics**

0 cm	00
<10 cm (digit x 1 cm)	C#
10 cm ... 9,9 m (digit x 10 cm)	##
10 m ... 90 m (digit x 10 m)	D#

**Additional Electronics**

Sensor detail, as per type declaration high-voltage signal processing module TP-650-17	#
--	---

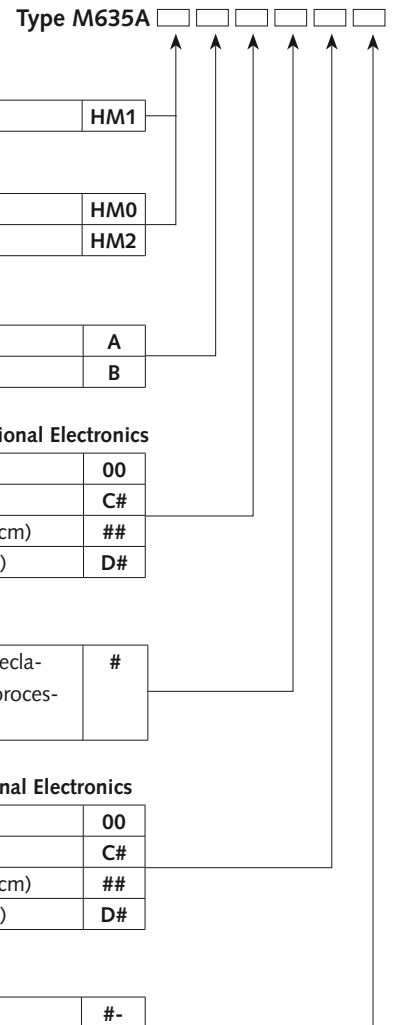
**Cable Length after Additional Electronics**

0 cm	00
<10 cm (digit x 1 cm)	C#
10 cm ... 9,9 m (digit x 10 cm)	##
10 m ... 90 m (digit x 10 m)	D#

**Connector**

Conn. type, as per TP-600	#-
Conn. assignment, as per TP-600	-#

<sup>1)</sup> UPS module only available with this option



M635A\_000-755e-12.11

the right to make technical changes. Liability for consequential damage resulting from the use of Kistler products is excluded.

... 2011, Kistler Group, Eulachstrasse 22, 8408 Winterthur, Switzerland  
Tel. +41 52 224 11 11, Fax +41 52 224 14 14, info@kistler.com, www.kistler.com  
Kistler is a registered trademark of Kistler Holding AG.