



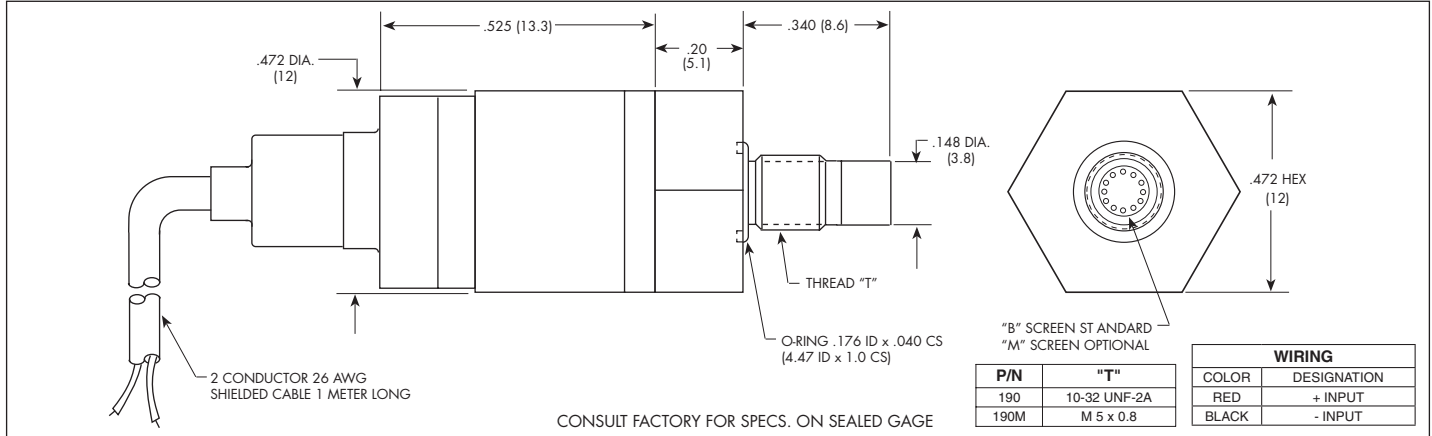
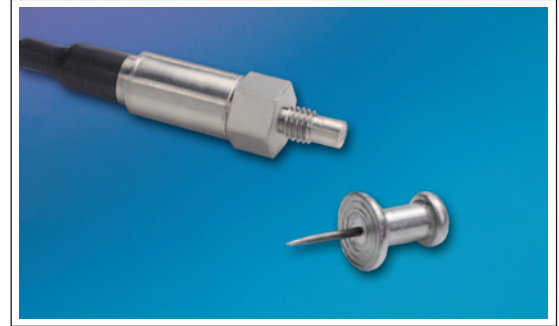
MINIATURE 4-20mA OUTPUT IS® PRESSURE TRANSDUCER

ETL-76I-190 (M) SERIES

- 4-20mA Output
- Robust Construction
- Patented Leadless Technology VIS®
- Ultra Miniature Amplified Version
- Intrinsically Safe Patented Leadless Technology Applications Available (i.e. IS-ETL-76I-190)



The ETL-76 Series is one of the smallest amplified transducers currently available. It incorporates the latest pressure sensing technology – Kulite's dielectrically isolated, silicon on silicon, patented leadless sensing element, which enables this device to be used in harsh environments. The ETL-76I provides a compact device, enabling savings in both weight and space.



INPUT Pressure Range	0.35 5	1.0 15	1.7 25	3.5 50	7 100	17 250	35 500	70 1000	140 2000	210 BAR 3000 PSI
Operational Mode	Absolute, Sealed Gage									
Over Pressure	2 Times Rated Pressure to 1000 PSI (70 BAR) 1.5 Times Rated Pressure Above 1000 PSI to a Max. of 6000 PSI (420 BAR)									
Burst Pressure	3 Times Rated Pressure									
Pressure Media	All Nonconductive, Noncorrosive Liquids or Gases (Most Conductive Liquids and Gases - Please Consult Factory)									
Rated Electrical Excitation	12 ± 4 VDC or 28 ± 4 VDC									
OUTPUT Loop Resistance	250 Ohms at Rated Excitation (Other Inputs Available At No Additional Cost - Consult Factory For Details)									
Output	4 - 20mA									
Combined Non-Linearity, Hysteresis and Repeatability	± 0.1% BFSL (Typ.), ± 0.5% BFSL (Max.)									
Bandwidth (-3dB)	DC to 750 Hz									
Resolution	Infinitesimal									
Acceleration Sensitivity % FS/g Perpendicular	1.5x10 ⁻³	7.0x10 ⁻⁴	3.0x10 ⁻⁴	1.5x10 ⁻⁴	1.0x10 ⁻⁴	5.0x10 ⁻⁵	3.0x10 ⁻⁵	2.0x10 ⁻⁵	1.5x10 ⁻⁵	1.0x10 ⁻⁵
Transverse	2.2x10 ⁻⁴	9.0x10 ⁻⁵	6.0x10 ⁻⁵	3.0x10 ⁻⁵	2.0x10 ⁻⁵	1.0x10 ⁻⁵	6.0x10 ⁻⁶	4.0x10 ⁻⁶	3.0x10 ⁻⁶	2.0x10 ⁻⁶
Insulation Resistance	100 Megohm Min. @ 50 VDC									
ENVIRONMENTAL Operating Temperature Range	-65°F to +250°F (-55°C to +120°C) (Max.)									
Compensated Temperature Range	-40°F to +212°F (-40°C to +100°C)									
Thermal Zero Shift	± 1% FS/100°F (Typ.)									
Thermal Sensitivity Shift	± 1%/100°F (Typ.)									
Linear Vibration	50g Peak, Sine 10 to 2000 Hz									
Humidity	100% Relative Humidity									
Mechanical Shock	100g half Sine Wave 11 msec. Duation									
PHYSICAL Electrical Connection	2 Conductor 26 AWG Shielded Viton Cable 1 Meter Long									
Weight	10 Grams Excluding Cable									
Pressure Sensing Principle	Fully Active Four Arm Wheatstone Bridge Dielectrically Isolated Silicon on Silicon Patented Leadless Technology									
Mounting Torque	15 Inch-Pounds (Max.)									

Note: Custom pressure ranges, accuracies and mechanical configurations available.

Continuous design and development of our products may result in specifications changes without notice. All dimensions are in inches unless otherwise noted.