



PRESSURE SCANNER

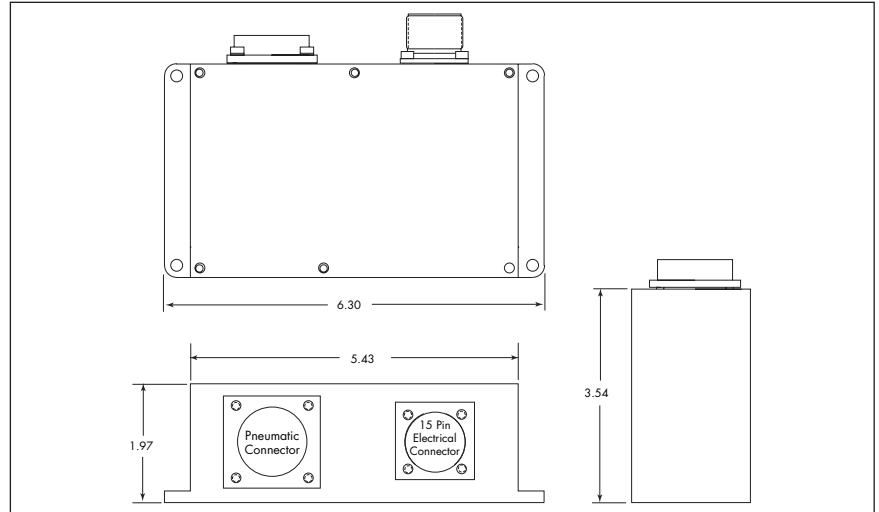
KMPS-2 SERIES

- High Accuracy Digital Compensation
- Multiplexed Analog Output
- High Speed Digital Output (RS-485 & ARINC429)
- Temperature Output
- Wide Temperature Range (-65°F to +250°F)
- Auto Zero
- Purge Option Available



The KMPS is a 32 position pressure scanner with both high accuracy digital and analog outputs. This allows it to be used with both legacy analog systems and new digital systems. The RS-485 digital output allows multiple scanners to be read over a single data bus. It also features purge and auto-zero capabilities all controlled using the digital bus so that no pneumatic pressure is required.

The KMPS has a trigger input for low latency triggered acquisition. Due to the wide temperature capability it does not require heating or cooling in wind tunnel, flight test and other harsh environments. The pressure transducers are individually replaceable as well as vibration and moisture resistant leading to less down time.



INPUT	
Pressure Ranges	5 - 100 PSI
Operational Modes	Differential, Absolute
Proof Pressure	2 Times Full Scale (Min.)
Burst Pressure	3 Times Full Scale (Min.)
Rated Electrical Excitation	18 to 32 VDC
Maximum Current	1.75 A (2 A When Operating Valve to Purge)
Insulation Resistance	100 Megohms @ 50 VDC
ANALOG OUTPUT	
Output Impedance	< 100 Ohms
Full Scale Output (Analog)	.5 to 4.5 V
Resolution	16 Bit
Bandwidth (-3dB)	DC to 1000 Hz
Total Error Band	± 0.2% FSO
DIGITAL OUTPUT	
Interface	RS-485 & ARINC429
Resolution (Pressure)	16 Bits or 0.0015% F.S.
Total Error Band (Pressure)	± 0.1% FSO (0 to 250°F) 0.25% (-65°F to 250°F)
Resolution (Temperature)	0.1°C or 0.1°F
Total Error (Temperature)	± 2.5°C (± 5°F)
Conversion Rate	500 Samples/Sec/Channel
Baud Rate	300 to 1Mbps
ENVIRONMENTAL	
Operating Temperature Range	-65°F to 250°F (-55°C to 120°C)
Compensated Temperature Range	-65°F to 250°F (-55°C to 120°C)
Linear Vibration	50g Peak, Sine 10 to 2000 Hz
PHYSICAL	
Electrical Connection	15 Pin Circular Connector
Weight	1 kg
Sensing Principle	Fully Active Four Arm Wheatstone Bridge Dielectrically Isolated Silicon on Silicon
Pressure Port	Pneumatic Quick Connect

Note: Custom pressure ranges, accuracies and mechanical configurations available. Dimensions are in inches. Dimensions in parenthesis are in millimeters.

Continuous development of new products and services. SUNSTAR 自动化 <http://www.sensor-ic.com/> TEL: 0755-83376489 FAX: 0755-83376182 E-MAIL: szss20@163.com

KULITE SEMICONDUCTOR PRODUCTS, INC. • One Willow Tree Road • Leonia, New Jersey 07605 • Tel: 201 461-0900 • Fax: 201 461-0990 • <http://www.kulite.com>