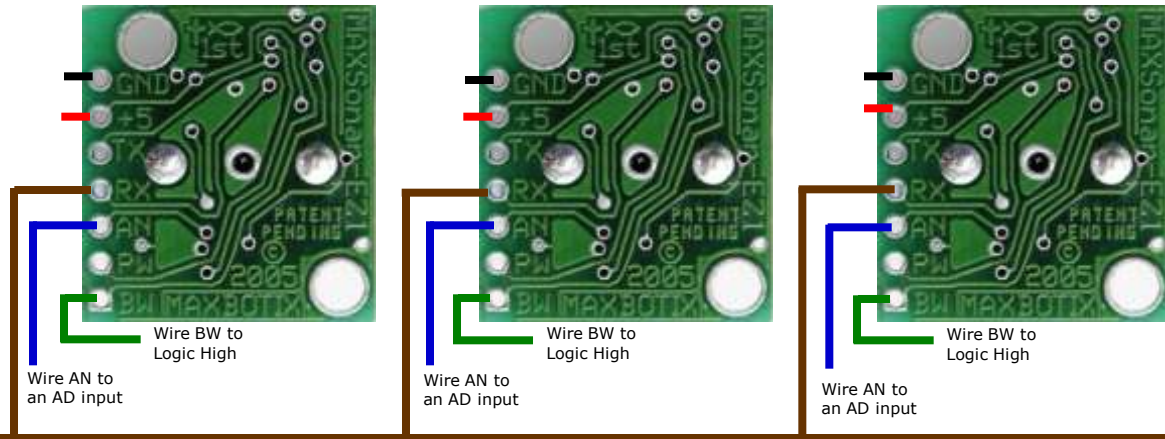


Chaining MaxSonar Sensors, (AN Output)

Simultaneous Operation

Hold the RX pin high for more than 20uS and up to 400uS. Do not continuously leave this pin high, as then all of the sensors will free run.



Repeat to add as many sensors as desired

Simultaneous Operation

You can also run them all at the same time (and for some uses this is preferred as the measurement speed is maximum, but it is only for selected applications). Just tie all of the RX pins together and command them with a pin from your microcontroller. Hold the RX pin high for more than 20uS and up to 400uS. Do not continuously leave this pin high, as then all of the sensors will free run. Command the sensors every 50mS or whenever a new range reading is desired.