

Purpose:

Using the MB7954 seven conductor shielded cable will allow users of the MaxSonar® sensors to make a cable run from the user interface to the sensor and avoid outside interference being introduced into the line.

Directions: (wire comes unstripped)

Attach the sensor to one end of the cable. Attach the wires according to the recommended Pin to Wire connection diagram above. Attach cable shield wire only to the user end or see Note 1 above. Then attach the other end of the cable to the users interface. It is recommended to keep cable shielding and jacket as close as possible at both ends so minimal electrical interference is able to enter the line.

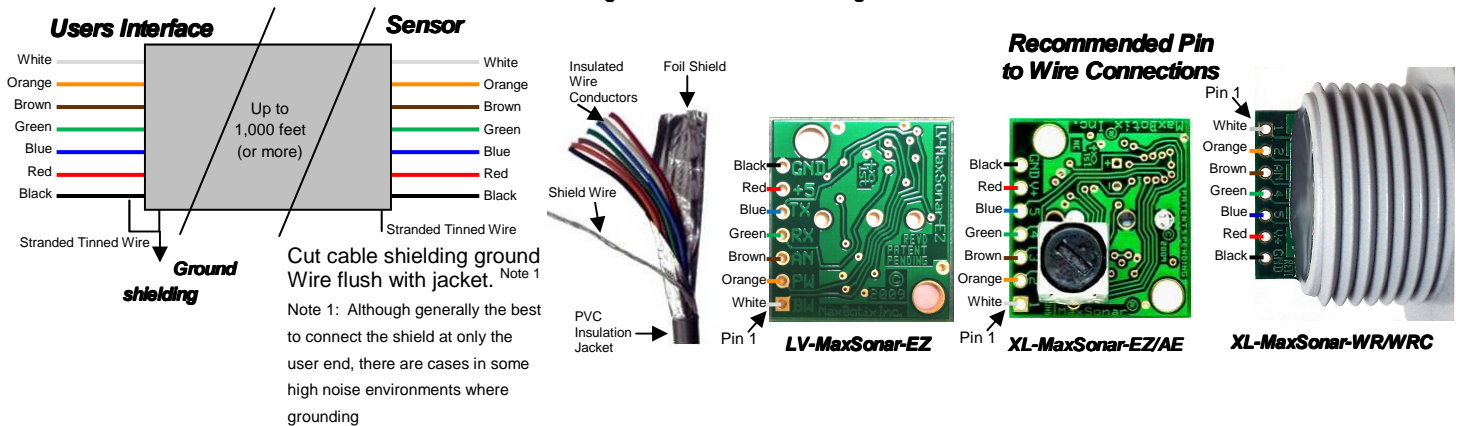
Additional Information:

MaxBotix® Inc., tested and operated MaxSonar® on a 1,000ft cable. No additional hardware is required to run the MaxSonar sensors at long distances. We measured approximately a 0.1 volt drop over a distance of 1,000 ft. With a clean, stable power supply this should not cause any operational issues with the MaxSonar® sensors. If user encounter ranging anomalies, it is recommended to add a 10uF to 100uF capacitor in parallel with the V+ / +5 Pin to GND Pin. It is not recommended to chain sensors together for cable runs longer than 50ft, unless operation is tested and verified by the end-user.

MaxBotix® Inc.
 "Creating vision for the future"

PD10525b
 Revision Date: 02/20/2012

MaxSonar® Connection Wire
MB7954 Seven Conductor Shielded Cable
Diagram and Recommended Usage



Purpose:

Using the MB7954 seven conductor shielded cable will allow users of the MaxSonar® sensors to make a cable run from the user interface to the sensor and avoid outside interference being introduced into the line.

Directions: (wire comes unstripped)

Attach the sensor to one end of the cable. Attach the wires according to the recommended Pin to Wire connection diagram above. Attach cable shield wire only to the user end or see Note 1 above. Then attach the other end of the cable to the users interface. It is recommended to keep cable shielding and jacket as close as possible at both ends so minimal electrical interference is able to enter the line.

Additional Information:

MaxBotix® Inc., tested and operated MaxSonar® on a 1,000ft cable. No additional hardware is required to run the MaxSonar sensors at long distances. We measured approximately a 0.1 volt drop over a distance of 1,000 ft. With a clean, stable power supply this should not cause any operational issues with the MaxSonar® sensors. If user encounter ranging anomalies, it is recommended to add a 10uF to 100uF capacitor in parallel with the V+ / +5 Pin to GND Pin. It is not recommended to chain sensors together for cable runs longer than 50ft, unless operation is tested and verified by the end-user.

MaxBotix® Inc.
 "Creating vision for the future"