

SPECIFICATION SHEET FOR HIGH SELECTIVE H₂ SENSOR TYPE H2/CB-1000

PERFORMANCE CHARACTERISTICS

Nominal Range	0 – 1'000 ppm
Maximum Overload	2'000 ppm
Expected Operation Life	2 years in air
Output Signal	17 – 40 nA/ppm ¹⁾
Resolution	2 ppm
Temperature Range	0 °C to 45 °C ²⁾
Pressure Range	Atmospheric ± 10%
Pressure Coefficient	No data
T ₉₀ Response Time	< 40 sec
Relative Humidity Range	15 % to 90 % R.H. non-condensing
Typical Baseline Range (pure air, 20°C)	< 10 ppm
Maximum Zero Shift (+20°C to +40°C)	No data yet
Long Term Output Drift	< 2% signal loss/month
Recommended Load Resistor	10 Ohm
Bias Voltage	Not allowed
Repeatability	< 5% of signal
Output Linearity	Linear

¹⁾ Oxygen content in the gas sample must be > 2%

²⁾ CO cross sensitivity can be > 5% below 0 °C

CROSS-SENSITIVITY DATA

Interfering Gas	Concentration	Reading
CO	100 ppm	< 1 ppm ³⁾
H ₂ S	20 ppm	0 ppm
Organic solvents ⁴⁾		

³⁾ for temperature ≥ 20 °C

⁴⁾ Sensor contains a protection, which reduces the impact on the baseline

Performance data conditions:
20 °C, 50% RH and 1013 mbar

APPLICATIONS

H₂ Detection in H₂/CO-Mixtures
Medical Applications
Safety and Environmental Control

The data contained in this document is for guidance only. Membrapor AG accepts no liability for any consequential losses, injury or damage resulting from the use of this document or the information contained within it. The data is given for guidance only. Customers should test under their own conditions, to ensure that the sensors are suitable for their own requirements.

REV.: 06/2008

Page 1 of 1

Phone: +41 43 311 72 00
Fax : +41 43 311 72 01
Email: info@membrapor.ch
www.membrapor.ch

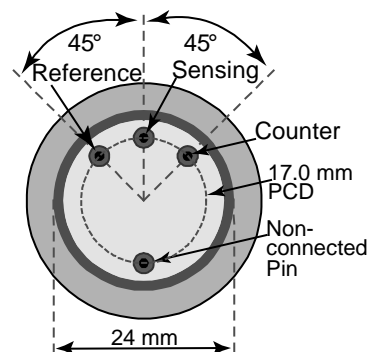
SUNSTAR自动化 <http://www.sensor-ic.com/> TEL: 0755-83376489 FAX:0755-83376182 E-MAIL: szss20@163.com

PHYSICAL CHARACTERISTICS

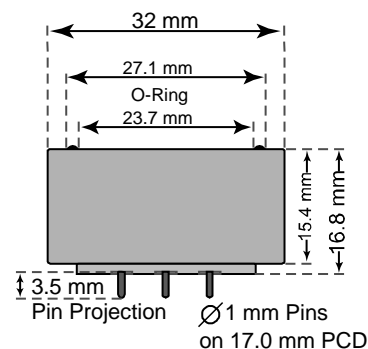
Weight	~ 13 g
Position Sensitivity	None
Storage Life	Six months in container
Recommended Storage Temperature	5 °C – 20 °C
Warranty Period	12 months from date of dispatch

Compact-Size Outline Dimensions

BOTTOM VIEW



SIDE VIEW



MEMBRAPOR AG
Birkenweg 2
CH-8304 Wallisellen
Switzerland