



**HawkEye Technologies, LLC**  
**Your Source for Infrared**

**181 Research Drive, #8**  
**Milford, CT 06460**  
**Phone: 203-878-6892**  
**Fax: 203-878-7462**

[www.hawkeyetechnologies.com](http://www.hawkeyetechnologies.com)

## Infrared Source IR-18/19 Series

- Silicon Nitride Emitter mounted in an IR-18 Parabolic Reflector or an IR-19 Elliptical Reflector
- Robust and Efficient
- 1150°C High Output Design



IR-18



IR-19

The IR-18/19 Series is designed for those customers who require higher temperatures and greater output from their infrared source. These emitters are manufactured using a patented silicon nitride material. The advanced ceramic technology ensures a very stable product. Their robust design ensures intrinsic physical and thermal strength. When operated at 12 volts/18 watts the IR-18/19 reaches 1150°C.

The IR-18 emitters are mounted in a 1 inch parabolic reflector for extremely efficient collimation of energy. The IR-19 emitters are mounted in a 1 inch elliptical reflector with an external focal point that is 1/2 inch in front of the clear aperture.

### Typical Operating Parameters

	IR-18/19
<b>Voltage</b>	12.0 Volts (AC or DC)
<b>Temp</b>	1150° C
<b>Current</b>	1.5 Amperes
<b>Power</b>	18.0 watts
<b>Emissivity</b>	0.75
<b>Radiating Area</b>	1.5 mm dia. x 4.1 mm length
<b>Lifetime</b>	5000+ hours at 12 Volts

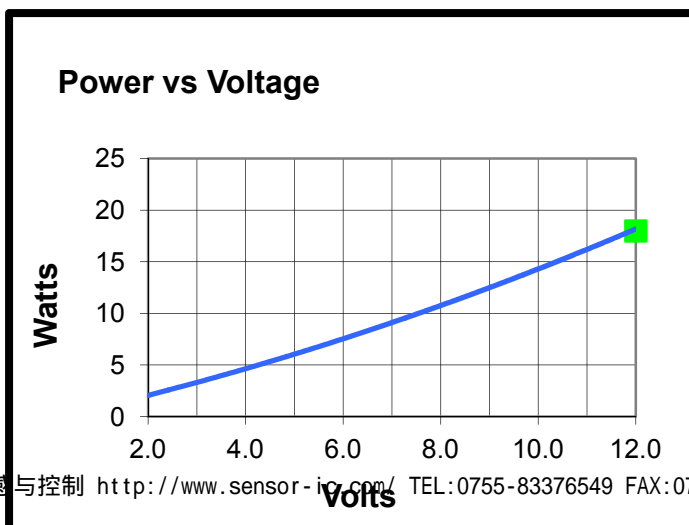
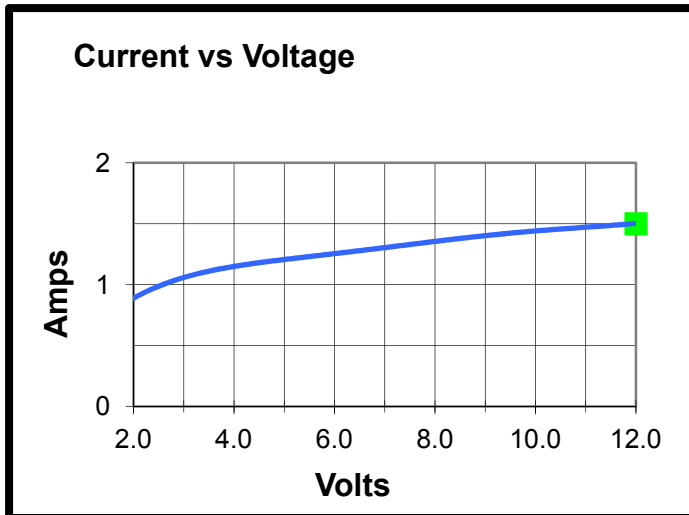
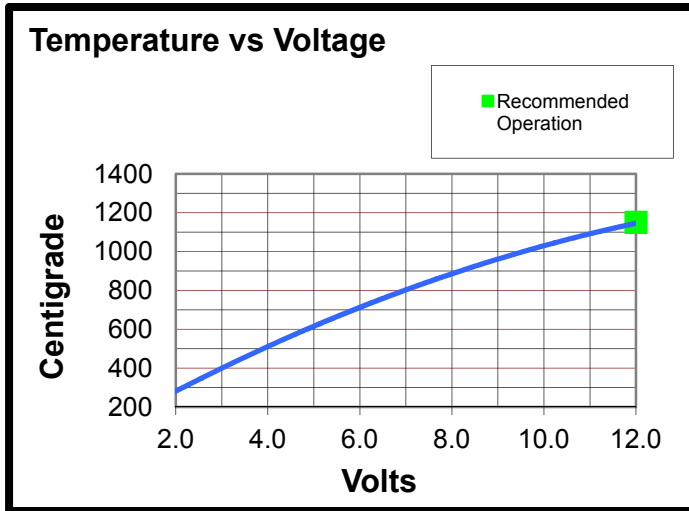


**HawkEye Technologies, LLC**  
Your **Source** for **Infrared**

**181 Research Drive, #8**  
**Milford, CT 06460**  
**Phone: 203-878-6892**  
**Fax: 203-878-7462**

[www.hawkeyetechnologies.com](http://www.hawkeyetechnologies.com)

## HawkEye IR-18/19 Engineering Data Charts

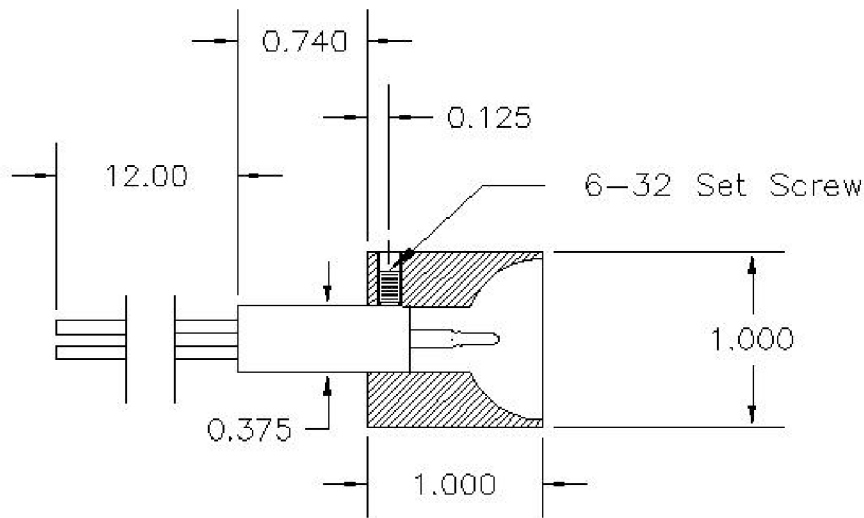




**Hawkeye Technologies, LLC**  
Your **Source** for **Infrared**

**181 Research Drive, #8**  
**Milford, CT 06460**  
**Phone: 203-878-6892**  
**Fax: 203-878-7462**

[www.hawkeyetechnologies.com](http://www.hawkeyetechnologies.com)



IR-18 Emitter

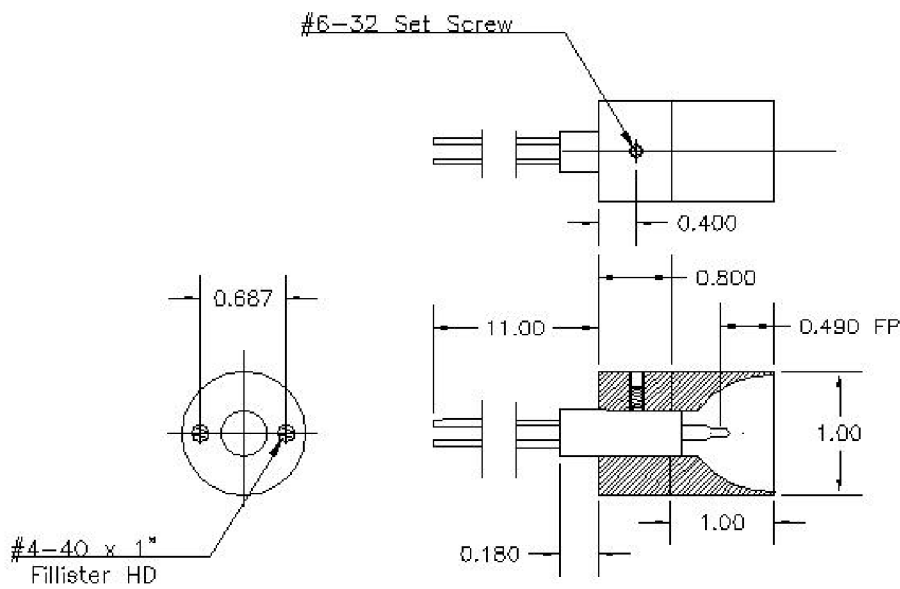
Note: all dimensions in inches



**Hawkeye Technologies, LLC**  
**Your Source for Infrared**

**181 Research Drive, #8**  
**Milford, CT 06460**  
**Phone: 203-878-6892**  
**Fax: 203-878-7462**

[www.hawkeyetechnologies.com](http://www.hawkeyetechnologies.com)



IR-19 Emitter

Note: all dimensions in inches