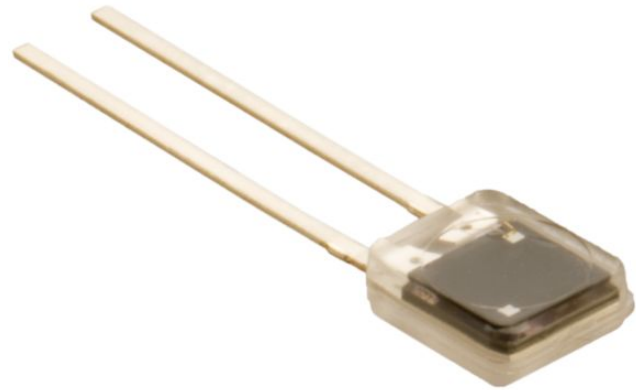


Detector Assembly EPM-4001

Silicon Photodiode
Lead Frame Construction
Pulse Oximetry Component



The EPM-4001 Detector Assembly uses a silicon planar diffused photodiode specially designed for medical applications. It features high efficiency and fast response. The EPM-4001 Detector Assembly is spectrally matched to emitter assemblies ELM-4001 and ELM-4002.

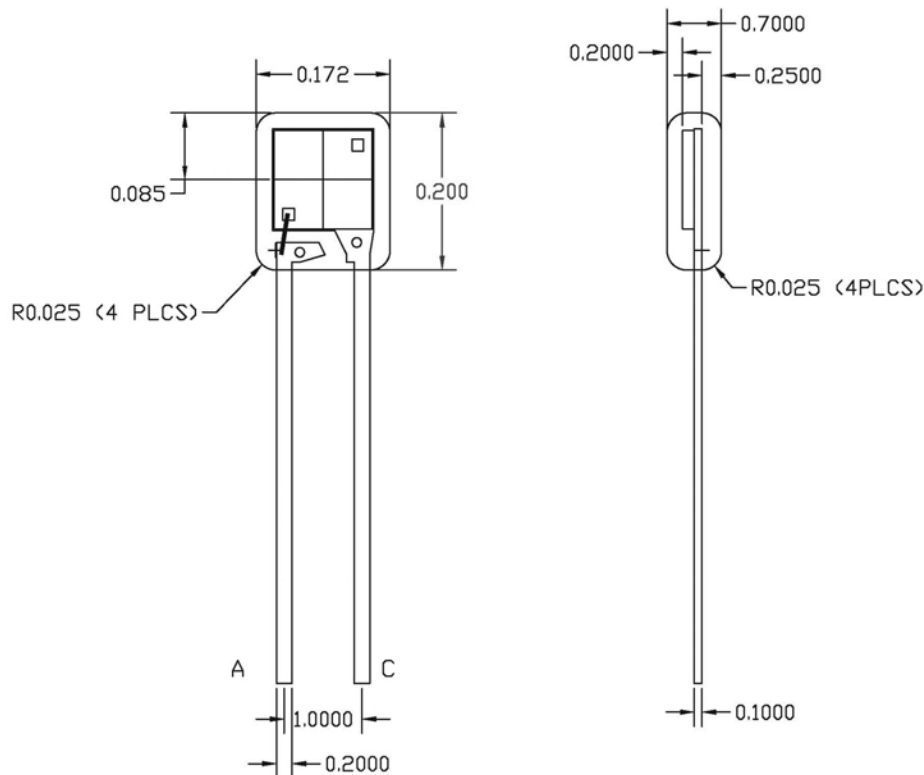
FEATURES

- Low Cost
- Lead Frame Construction
- Fast Response
- Matched to 660nm Emitters
- High Efficiency
- Clear Epoxy Lens
- Compact Package
- Active Area: 8mm²

APPLICATIONS

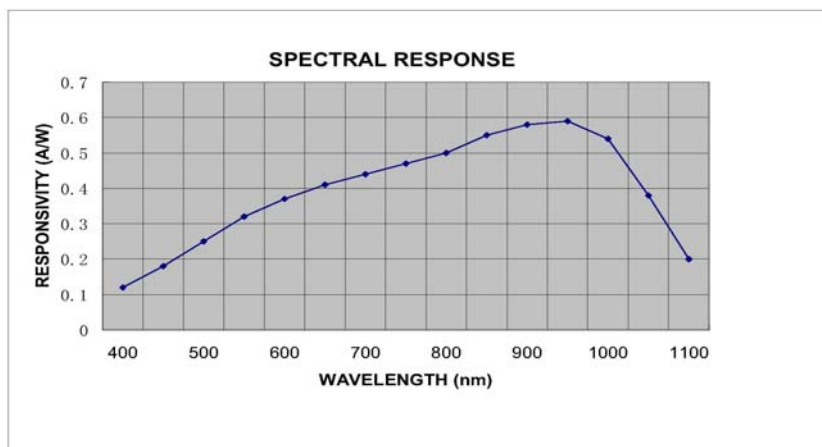
- Pulse Oximetry
- Finger/Ear Probes
- Disposable Strip or Butterfly Sensors

Dimensions



Specifications & Ratings

Parameter @ 25°C	Symbol	Conditions	Min.	Typ.	Max.	Absolute	Unit
Power Dissipation	P_d					150	mW
Operating Temperature	T_{opr}					-55~+70	°C
Storage Temperature	T_{stg}					-55~+70	°C
Soldering Temperature	T_{sol}					260	°C
Forward Voltage	V_f	$I_f=100\mu A$		50			V
Reverse Voltage	V_r	$I_r=100\mu A$			0.70		V
Shunt Resistance	R_{sh}	$\pm 10mV$	40				mΩ
Capacitance	C_t	$V_r=0V$			70		pF
Spectral Sensitivity	λ		400		1080		nm
Rise Time/Fall Time	T_r/T_f	$V_r=0V, R_l=50\Omega$			350		nSec
Responsivity	R	$\lambda = 540nm$	0.28				A / W
Temp. Coef. Of Isc	β_t				0.18		%



The information in this sheet has been carefully reviewed and is believed to be accurate; however, no responsibility is assumed for inaccuracies. Furthermore, this information does not convey to the purchaser of such devices any license under the patent rights to the manufacturer. Measurement Specialties, Inc. reserves the right to make changes without further notice to any product herein. Measurement Specialties, Inc. makes no warranty, representation or guarantee regarding the suitability of its product for any particular purpose, nor does Measurement Specialties, Inc. assume any liability arising out of the application or use of any product or circuit and specifically disclaims any and all liability, including without limitation consequential or incidental damages. Typical parameters can and do vary in different applications. All operating parameters must be validated for each customer application by customer's technical experts. Measurement Specialties, Inc. does not convey any license under its patent rights nor the rights of others.

Ordering information

Description

Detector Assembly; Lead Frame; 8mm

Part Number

EPM-4001