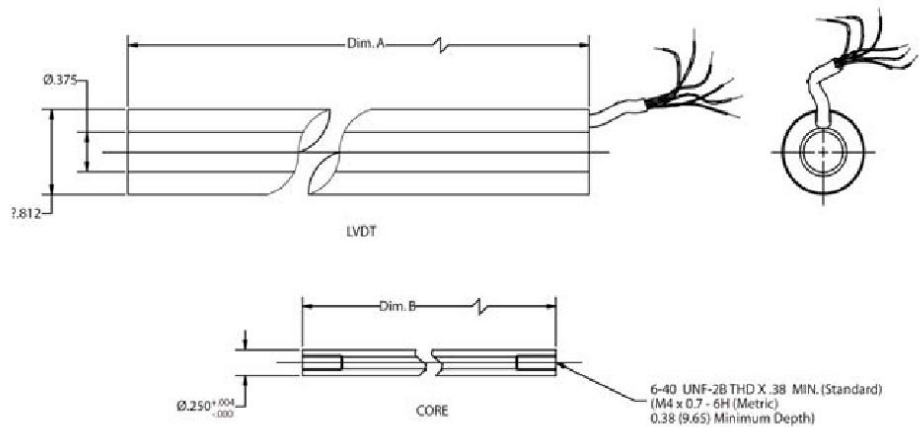


HR Series (General Purpose LVDT)

The HR Series of LVDTs are highly reliable and are suitable for most general applications. The HR Series features a large core-to-bore clearance, high output voltage over a broad range of excitation frequencies, and a magnetic stainless steel case for electromagnetic and electrostatic shielding.



dimensions



FEATURES

- Optimum Performance for a Majority of Applications
- Large 1/16 Inch Radial Core-to-Bore Clearance
- Calibration Certificate Supplied with All Models
- Compatible with All Schaevitz® Signal Conditioners
- High Temperature (220 °C) and High Pressure (vented case) Available – Consult Factory

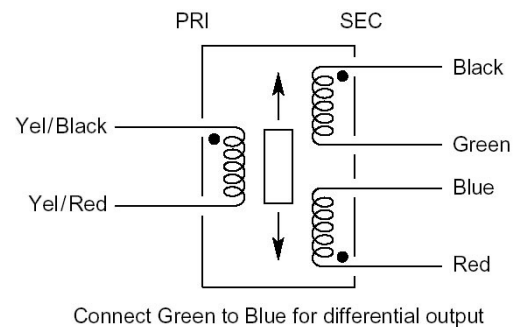
APPLICATIONS

- General

OPTIONS

- 5.0 kHz Excitation Frequency Testing*
- Metric Thread Core
- Guided Core
- Small Diameter/Low Mass Core
- Mild Radiation Resistance (withstands 10^{12} NVT total integrated flux; 10^7 rads Gamma)

wiring



HR Series (General Purpose LVDT)

Specifications

Input Voltage	3 V rms (nominal)
Frequency Range	400 Hz to 5kHz
Operating Temperature Range	-65F to 300F (-55C to 150C)
Null Voltage	<0.5% full scale output
Shock Survival	1,000 g for 11 msec
Vibration Tolerance	20 g up to 2 kHz
Coil Form Material	High Density, glass-Filled Polymer
Housing Material	AISI 400 Series Stainless Steel
Lead Wires	28 AWG, Stranded Copper, Teflon Insulated, 12 Inches (300 mm), long (nominal)

Performance and Electrical Specifications @ 2.5 kHz¹

HR Series Model Number	Nominal Linear Range		Linearity				Sensitivity		Impedance (Ohms)		Phase Shift
	Inches	mm	50	100	125	150	0.001 in	Mm	Pri	Sec	Degrees
050 HR	±0.050	±1.27	0.10	0.25	0.25	0.50	5.8	230	430	4000	-1
100 HR	±0.100	±2.54	0.10	0.25	0.25	0.50	4.2	165	1070	5000	-5
200 HR	±0.200	±5.08	0.10	0.25	0.25	0.50	2.5	91	1150	4000	-4
300 HR	±0.300	±7.62	0.10	0.25	0.35	0.50	1.3	51	1100	2700	-11
500 HR	±0.500	±12.70	0.15	0.25	0.35	0.75	.7	25.6	460	375	-1
1000 HR	±1.00	±25.4	0.15	0.25	1.00	1.30*	0.39	14.2	460	320	-3
2000 HR	±2.00	±50.8	0.15	0.25	0.50*	1.00*	0.23	8.3	330	330	+5
3000 HR	±3.00	±76.2	0.15	0.25	0.50*	1.00*	0.25	9.1	315	830	+11
4000 HR	±4.00	±101.6	0.15	0.25	0.50*	1.00*	0.20	7.1	275	550	+1
5000 HR	±5.00	±127.0	0.15	0.25	1.00*	n/r	0.14	5.5	310	400	+3
7500 HR	±7.50	±190.5	n/a	0.25	n/a	n/a	0.13	5.1	260	905	+1
10000 HR	±10.0	±254	0.15	0.25	1.00*	n/r	0.07	2.8	550	750	-5

¹ All calibration is performed at room ambient temperature. * Requires special reduced core length.

Mechanical Specifications

HR Series Model Number	Weight				Dimensions			
	Body		Core		A (Body)		B (Core)	
	Oz	Gm	Oz	Gm	In	Mm	in	Mm
050 HR	1.13	32	0.14	4	1.13	28.7	0.80	20.3
100 HR	1.69	48	0.21	6	1.81	46.0	1.30	33.0
200 HR	1.93	60	0.28	8	2.50	63.5	1.65	41.9
300 HR	2.72	77	0.35	10	3.22	81.8	1.95	49.5
500 HR	3.85	109	0.64	18	5.50	139.7	3.45	87.6
1000 HR	4.45	126	0.74	21	6.63	168.4	4.00	101.6
2000 HR	5.93	168	0.95	27	10.00	254.0	5.30	134.6
3000 HR	7.94	225	0.99	28	12.81	325.4	5.60	142.2
4000 HR	10.41	295	1.27	36	15.64	397.3	7.00	177.8
5000 HR	11.99	340	1.27	36	17.88	454.2	7.00	177.8
7500 HR					24.09	611.8	7.00	177.8
10000 HR	20.56	580	1.52	43	30.84	783.3	8.50	215.9

The information in this sheet has been carefully reviewed and is believed to be accurate; however, no responsibility is assumed for inaccuracies. Furthermore, this information does not convey to the purchaser of such devices any license under the patent rights to the manufacturer. Measurement Specialties, Inc. reserves the right to make changes without further notice to any product herein. Measurement Specialties, Inc. makes no warranty, representation or guarantee regarding the suitability of its product for any particular purpose, nor does Measurement Specialties, Inc. assume any liability arising out of the application or use of any product or circuit and specifically disclaims any and all liability, including without limitation consequential or incidental damages. Typical parameters can and do vary in different applications. All operating parameters must be validated for each customer application by customer's technical experts. Measurement Specialties, Inc. does not convey any license under its patent rights nor the rights of others.

ordering info

Specify the HR Model followed by the desired option number(s) ordered together.

Ordering Example:

Model Number 050 HR-018 is an HR Series LVDT with a ±0.05" range (050 HR), with 5 kHz testing (002), Metric thread core (006), and a guided core (010).

HR Model

050 HR	2000 HR
100 HR	3000 HR
200 HR	4000 HR
300 HR	5000HR
500 HR	7500 HR
1000 HR	10000 HR

options

Number	Description
002	5.0 kHz Linearity Test ¹
006	Metric Thread Core
010	Guided Core ²
020	Small Diameter/Low Mass Core ³
080	Radiation Resistance

1. Available on models 050 HR, 100 HR, 200 HR and 500 HR only
2. Guided core and radiation resistance options cannot be ordered together
3. Available on models 050 HR – 500 HR only