

MP Series (Mill Duty LVDT)

The **MP Series** of LVDT is suitable for use in harsh industrial applications. LVDT coils are epoxy encapsulated and encased in an anodized, extruded aluminum housing, proving a high level of mechanical integrity as well as protection against EMI and RFI. A heavy-duty terminal strip replaces lead wires, simplifying electrical connection. A standard Teflon® bore liner provides a bearing surface for the core while reducing diametrical clearance within the bore.



FEATURES

- Epoxy Encapsulation Guards Against Harsh Industrial Conditions
- Mounting Flanges for Easy Installation
- Screw Terminal Wiring
- Calibration Certificate Supplied with Each LVDT
- Compatible with all Schaevitz Signal Conditioners

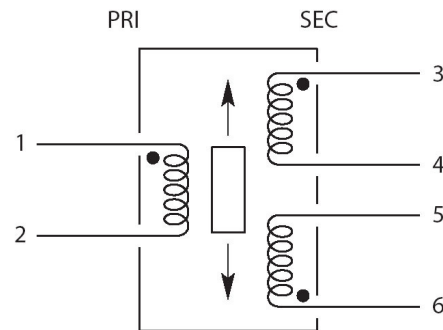
APPLICATIONS

- Rolling Mills
- Power Turbines
- Paper Mill Head Boxes

OPTIONS

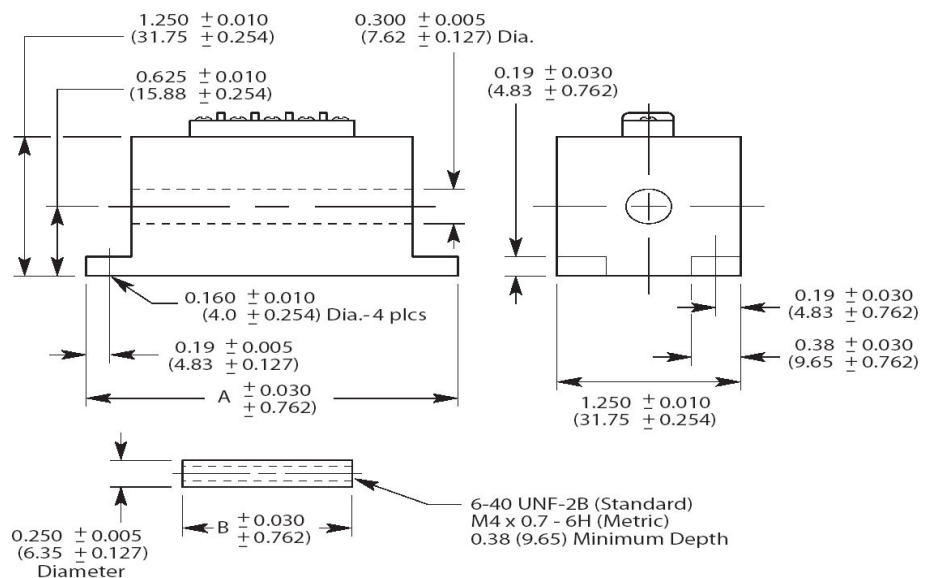
- 5.0 kHz Excitation Frequency Testing*
- Metric Thread Core
- Small Diameter/Low Mass Core

wiring



Connect (4) to (5) for differential output

dimensions



MP Series (Mill Duty LVDT)

Specifications

Input Voltage	3 V rms (nominal)
Frequency Range	400 Hz to 5kHz
Operating Temperature Range	-65F to 300F (-55C to 150C)
Null Voltage	<0.5% full scale output
Shock Survival	1,000 g for 11 msec
Vibration Tolerance	20 g up to 2 kHz
Coil Form Material	High Density, glass-filled Polymer
Outer Housing Material	Anodized aluminum
Inner Housing Material	AISI 400 Series Stainless Steel
Electrical Termination	6-Terminal Barrier Strip

Electrical

MP Series Model Number	Nominal Linear Range		Linearity				Sensitivity		Impedance (Ohms)		Phase Shift Degrees
	Inches	mm	50	100	125	150	0.001 in	Mm	Pri	Sec	
500 MP	±0.500	±12.70	0.15	0.25	0.35	0.75	0.7	25.6	460	375	-1
1000 MP	±1.00	±25.4	0.25	0.25	1.00	1.30*	0.39	14.2	460	320	-3
2000 MP	±2.00	±50.8	0.25	0.25	0.50*	1.00*	0.23	8.3	330	330	+5
3000 MP	±3.00	±76.2	0.15	0.25	0.50*	1.00*	0.25	9.1	315	830	+11
4000 MP	±4.00	±101.6	0.15	0.25	0.60*	1.00*	0.20	7.1	275	550	+1
5000 MP	±5.00	±127.0	0.15	0.25	1.00*	n/v	0.14	5.5	310	400	+3
10000 MP	±10.0	±254	0.15	0.25	1.00*	n/r	0.07	2.8	550	750	-5

Note: * indicates special reduced length core required. Please consult factory for additional information.

Mechanical

MP Series Model Number	Weight				Dimensions			
	Body		Core		A (Body)		B (Core)	
	Oz	Gm	Oz	Gm	In	Mm	in	Mm
500 MP	12.36	350	0.64	18	6.50	165.1	3.45	87.6
1000 MP	16.59	470	0.74	21	7.64	194.1	4.00	101.6
2000 MP	21.00	595	0.95	27	11.01	279.7	5.30	134.6
3000 MP	26.12	740	0.99	28	13.85	351.8	5.60	142.2
4000 MP	31.77	900	1.27	36	16.68	423.7	7.00	177.8
5000 MP	36.18	1025	1.27	36	18.92	480.6	7.00	177.8
10000 MP	60.89	1725	1.52	43	31.90	810.3	8.50	215.9

The information in this sheet has been carefully reviewed and is believed to be accurate; however, no responsibility is assumed for inaccuracies. Furthermore, this information does not convey to the purchaser of such devices any license under the patent rights to the manufacturer. Measurement Specialties, Inc. reserves the right to make changes without further notice to any product herein. Measurement Specialties, Inc. makes no warranty, representation or guarantee regarding the suitability of its product for any particular purpose, nor does Measurement Specialties, Inc. assume any liability arising out of the application or use of any product or circuit and specifically disclaims any and all liability, including without limitation consequential or incidental damages. Typical parameters can and do vary in different applications. All operating parameters must be validated for each customer application by customer's technical experts. Measurement Specialties, Inc. does not convey any license under its patent rights nor the rights of others.

ordering information

Specify the MP Model followed by the desired option number(s) added together.

Ordering Example:

Model Number 500MP-008 is an MP Series LVDT with a ±0.500-Inch range (500 MP), with 5 kHz testing (002), Metric thread core (006).

MP model

500	MP
1000	MP
2000	MP
3000	MP
4000	MP
5000	MP
10000	MP

options

Number Description

002	5.0 kHz Linearity Test ¹
006	Metric Thread Core
020	Small Diameter/Low Mass Core ²

¹Available on model 500 MP only

²Consult factory for mass, dimensions and thread size