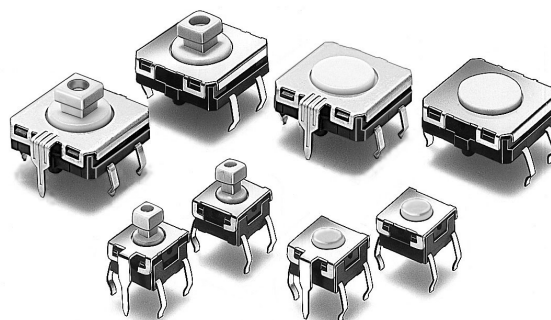


Tactile Switch (Sealed Type)



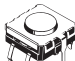

B3W

Allows Cleaning After Soldering with Alcohol Solvents

- Internal sealed construction allows immersion cleaning with alcohol solvents after soldering.
- Thin, compact construction in both 12 x 12 mm and 6 x 6 mm sizes.
- Snap-action contact construction for a positive click action.
- Available with ground terminals for protection against static electricity.
- Sealed construction also provides high reliability in dusty environments.



Ordering Information

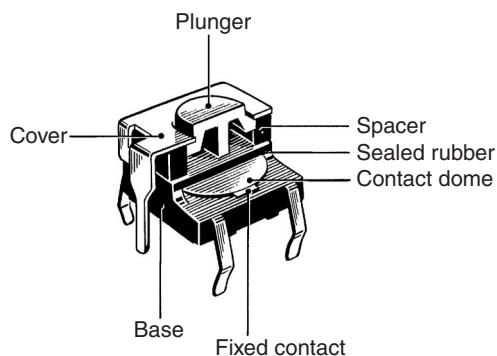
Type	Plunger	Height	Operating force (OF)		Bags (100 Switches)	
					Without ground terminal	With ground terminal
6 x 6 mm B3W-1000	Flat type 	4.3 mm	Standard force	1.57 N {160 gf}	B3W-1000	B3W-1100
			High-force	2.25 N {230 gf}	B3W-1002	B3W-1102
	Projected type 	7.3 mm	Standard force	1.57 N {160 gf}	B3W-1050	B3W-1150
			High-force	2.25 N {230 gf}	B3W-1052	B3W-1152
12 x 12 mm B3W-4000	Flat type 	4.3 mm	Standard force	1.96 N {200 gf}	B3W-4000	B3W-4100
			High-force	3.43 N {350 gf}	B3W-4005	B3W-4105
	Projected type 	7.3 mm	Standard force	1.96 N {200 gf}	B3W-4050	B3W-4150
			High-force	3.43 N {350 gf}	B3W-4055	B3W-4155

Note: Orders must be made in units of 100 pieces (quantity per bag).

■ Accessories (Order Separately)

Special Key Tops are available for projected Switch models. See page 39.

Nomenclature



Specifications

■ Ratings/Characteristics

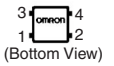
Switching capacity	1 to 50 mA, 5 to 24 VDC (resistive load)
Ambient temperature	-25°C to 70°C (with no icing)
Ambient humidity	35% to 85%
Contact configuration	SPST-NO
Contact resistance	100 mΩ max. (initial value) (rated: 1 mA, 5 VDC)
Insulation resistance	100 MΩ min. (at 250 VDC)
Dielectric strength	500 VAC, 50/60 Hz for 1 min
Bounce time	5 ms max.
Vibration resistance	Malfunction: 10 to 55 Hz, 1.5 mm double amplitude
Shock resistance	Destruction: 1,000 m/s ² {approx. 100 G} max. Malfunction: 100 m/s ² {approx. 10 G} max.
Life expectancy	B3W-1000: 1.57 N (standard force):1,000,000 operations min. 2.26 N (high-force):300,000 operations min. B3W-4000: 1.96 N (standard force):3,000,000 operations min. 3.43 N (high-force):1,000,000 operations min.
Weight	6 x 6 mm: approx. 0.3 g, 12 x 12: approx. 1 g

■ Operating Characteristics

Item	B3W-1000		B3W-4000	
	1.57 N	2.26 N	1.96 N	3.43 N
Operating force (OF)	1.57 N {160 gf} max.	2.26 N {230 gf} max.	1.96 N {200 gf} max.	3.43 N {350 gf} max.
Releasing force (RF)	0.2 N {20 gf} min.	0.49 N {50 gf} min.	0.29 N {30 gf} min.	0.49 N {50 gf} min.
Pretravel (PT)	0.25 ^{+0.2} / _{-0.1} mm		0.3 ^{+0.2} / _{-0.1} mm	

Dimensions

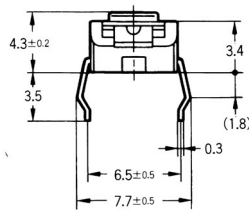
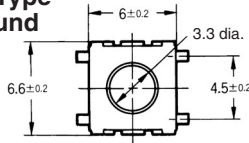
- Note:** 1. All units are in millimeters unless otherwise indicated. Unless otherwise specified, a tolerance of ± 0.4 mm applies to all dimensions.
 2. No terminal numbers are indicated on the Switches. The numbers used for terminals in the following graphics are indicated in the "Bottom View" diagram below. In this diagram, the Switch is rotated so that the terminals are on the right and left-hand sides, and the OMRON logo appears the right way up.



6 x 6 mm Models

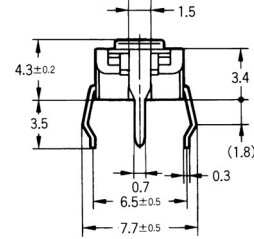
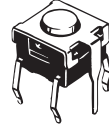
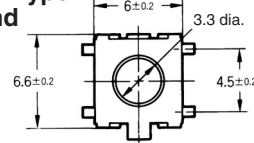
Flat Plunger Type (without Ground Terminal)

B3W-1000
B3W-1002

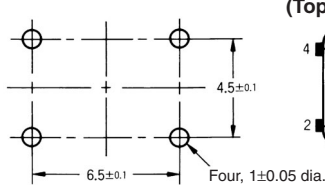


Flat Plunger Type (with Ground Terminal)

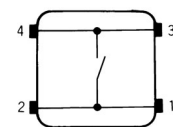
B3W-1100
B3W-1102



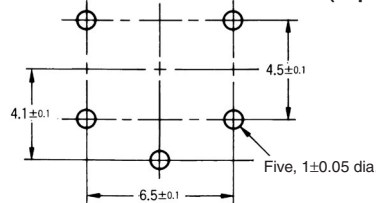
PCB Mounting (Top View) (Single-sided PCB, t=1.6)



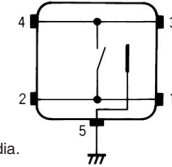
Terminal Arrangement / Internal Connections (Top View)



PCB Mounting (Top View) (Single-sided PCB, t=1.6)

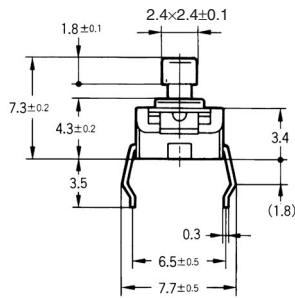
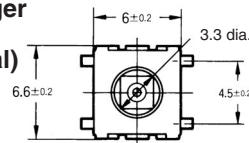


Terminal Arrangement / Internal Connections (Top View)



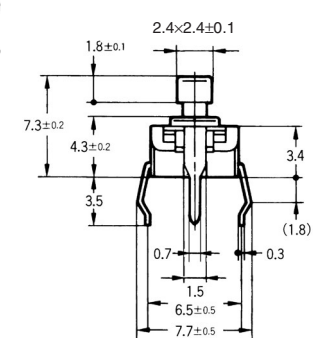
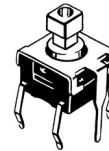
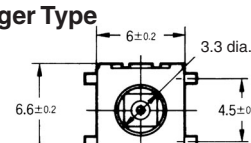
Projected Plunger Type (without Ground Terminal)

B3W-1050
B3W-1052

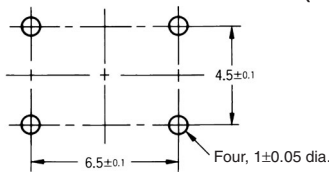


Projected Plunger Type (with Ground Terminal)

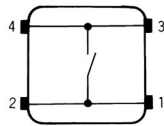
B3W-1150
B3W-1152



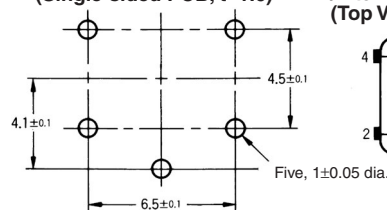
PCB Mounting (Top View) (Single-sided PCB, t=1.6)



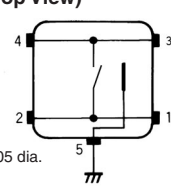
Terminal Arrangement / Internal Connections (Top View)



PCB Mounting (Top View) (Single-sided PCB, t=1.6)



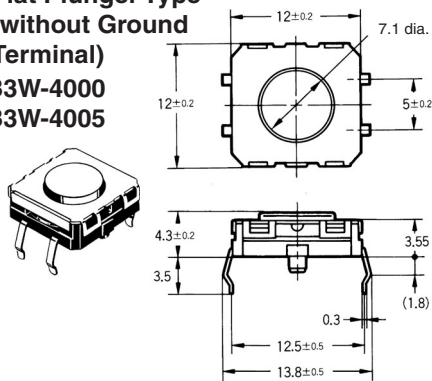
Terminal Arrangement / Internal Connections (Top View)



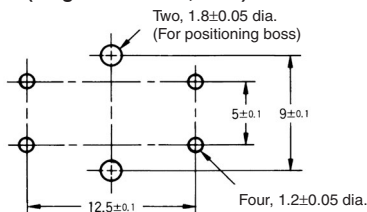
■ 12 x 12 mm Models

**Flat Plunger Type
(without Ground Terminal)**

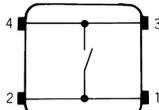
**B3W-4000
B3W-4005**



**PCB Mounting (Top View)
(Single-sided PCB, t=1.6)**

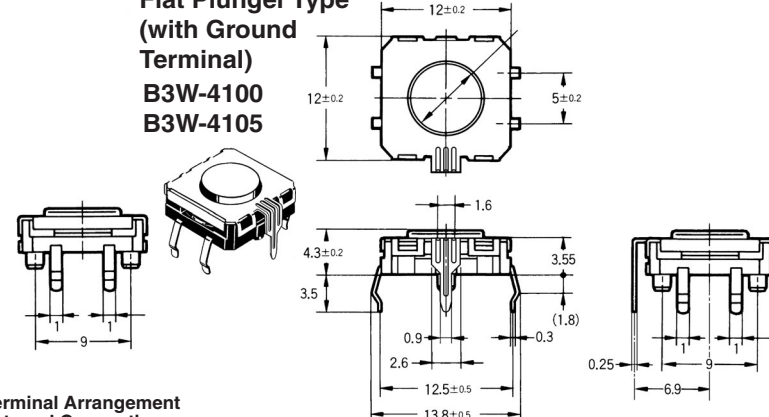


**Terminal Arrangement
/Internal Connections
(Top View)**

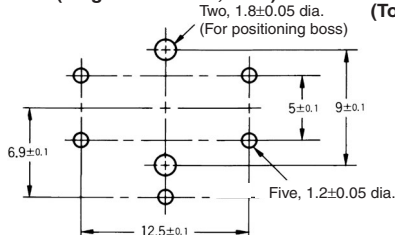


**Flat Plunger Type
(with Ground Terminal)**

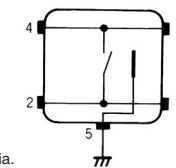
**B3W-4100
B3W-4105**



**PCB Mounting (Top View)
(Single-sided PCB, t=1.6)**

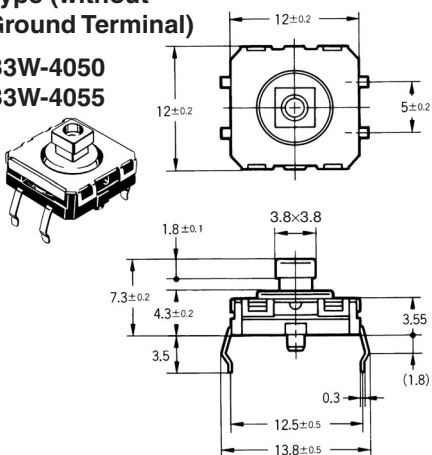


**Terminal Arrangement
/Internal Connections
(Top View)**

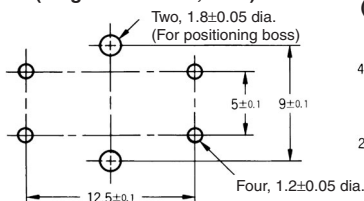


**Projected Plunger
Type (without
Ground Terminal)**

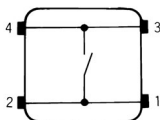
**B3W-4050
B3W-4055**



**PCB Mounting (Top View)
(Single-sided PCB, t=1.6)**

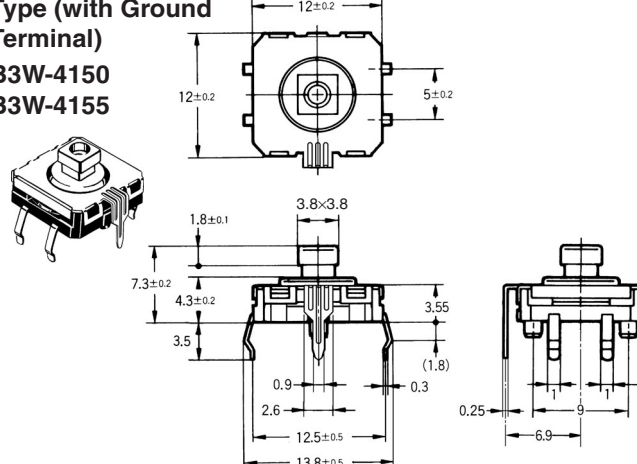


**Terminal Arrangement
/Internal Connections
(Top View)**

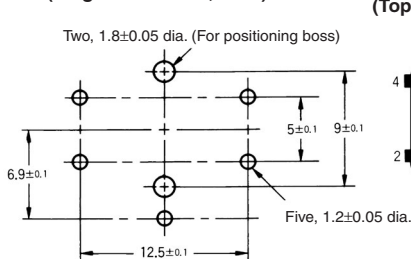


**Projected Plunger
Type (with Ground
Terminal)**

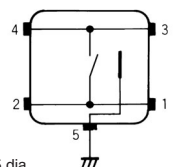
**B3W-4150
B3W-4155**



**PCB Mounting (Top View)
(Single-sided PCB, t=1.6)**



**Terminal Arrangement
/Internal Connections
(Top View)**



Key Tops

B32-series Special Key Tops are available for projected plunger models. Refer to page 40 for details.

Precautions

Be sure to read the precautions common to all Tactile Switches on pages 5 to 7 for correct use.

ALL DIMENSIONS SHOWN ARE IN MILLIMETERS.
To convert millimeters into inches, multiply by 0.03937. To convert grams into ounces, multiply by 0.03527.

Cat. No. A075-E1-04