



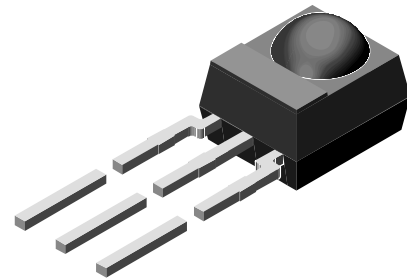
## Photo Modules for PCM Remote Control Systems

### Available Types For Different Carrier Frequencies

Type	fo	Type	fo
TSOP1830SS3V	30 kHz	TSOP1833SS3V	33.0 kHz
TSOP1836SS3V	36 kHz	TSOP1837SS3V	36.7 kHz
TSOP1838SS3V	38 kHz	TSOP1840SS3V	40.0 kHz
TSOP1856SS3V	56 kHz		

### Description

The TSOP18..SS3V – series are miniaturized receivers for infrared remote control systems. PIN diode and preamplifier are assembled on lead frame, the epoxy package is designed as IR filter. The demodulated output signal can directly be decoded by a microprocessor. The main benefit is the reliable function even in disturbed ambient and the protection against uncontrolled output pulses.



16672

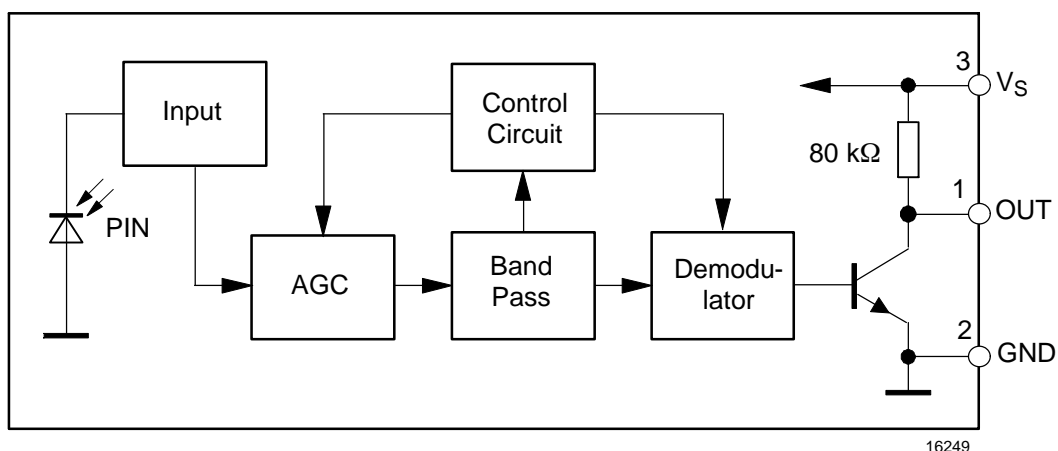
### Features

- Photo detector and preamplifier in one package
- Internal filter for PCM frequency
- TTL and CMOS compatibility
- Output active low
- Improved shielding against electrical field disturbance
- Suitable burst length  $\geq 6$  cycles/burst

### Special Features

- Small size package
- Supply voltage 3–6 Volt
- Enhanced immunity against all kinds of disturbance light
- No occurrence of disturbance pulses at the output
- Short settling time after power on ( $< 200 \mu\text{s}$ )

### Block Diagramm



16249

# TSOP18..SS3V



Vishay Semiconductors

## Absolute Maximum Ratings

T<sub>amb</sub> = 25°C

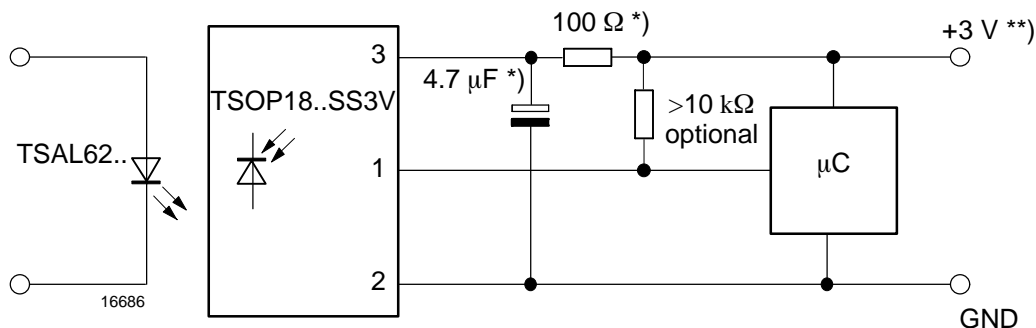
Parameter	Test Conditions	Symbol	Value	Unit
Supply Voltage	(Pin 3)	V <sub>S</sub>	-0.3...6.0	V
Supply Current	(Pin 3)	I <sub>S</sub>	5	mA
Output Voltage	(Pin 1)	V <sub>O</sub>	-0.3...6.0	V
Output Current	(Pin 1)	I <sub>O</sub>	5	mA
Junction Temperature		T <sub>j</sub>	100	°C
Storage Temperature Range		T <sub>stg</sub>	-25...+85	°C
Operating Temperature Range		T <sub>amb</sub>	-25...+85	°C
Power Consumption	(T <sub>amb</sub> ≤ 85 °C)	P <sub>tot</sub>	50	mW
Soldering Temperature	t ≤ 10 s, 1 mm from case	T <sub>sd</sub>	260	°C

## Basic Characteristics

T<sub>amb</sub> = 25°C

Parameter	Test Conditions	Symbol	Min.	Typ.	Max.	Unit
Supply Current (Pin 3)	V <sub>S</sub> = 3 V, E <sub>v</sub> = 0	I <sub>SD</sub>	0.5	0.75	1.0	mA
	V <sub>S</sub> = 3 V, E <sub>v</sub> = 40 klx, sunlight	I <sub>SH</sub>		1.0		mA
Supply Voltage (Pin 3)		V <sub>S</sub>	3.0		6.0	V
Transmission Distance	E <sub>v</sub> = 0, test signal see fig.6, IR diode TSAL6200, I <sub>F</sub> = 300 mA	d		35		m
Output Voltage Low (Pin 1)	I <sub>O</sub> SL = 0.5 mA, E <sub>e</sub> = 0.7 mW/m <sup>2</sup> , f = f <sub>o</sub>	V <sub>O</sub> SL			250	mV
Irradiance (30 – 40 kHz)	Pulse width tolerance: t <sub>pi</sub> - 4/f <sub>o</sub> < t <sub>po</sub> < t <sub>pi</sub> + 5/f <sub>o</sub> , test signal see fig.6	E <sub>e</sub> min		0.3	0.5	mW/m <sup>2</sup>
Irradiance (56 kHz)		E <sub>e</sub> min		0.4	0.7	mW/m <sup>2</sup>
Irradiance		E <sub>e</sub> max	30			W/m <sup>2</sup>
Directivity	Angle of half transmission distance	φ <sub>1/2</sub>		±45		deg

## Application Circuit



- \*) recommended to suppress power supply disturbances
- \*\*) tolerated supply voltage range: 3V < V<sub>S</sub> < 6 V



## Suitable Data Format

The circuit of the TSOP18..SS3V is designed in that way that unexpected output pulses due to noise or disturbance signals are avoided. A bandpassfilter, an integrator stage and an automatic gain control are used to suppress such disturbances.

The distinguishing mark between data signal (not suppressed) and disturbance signal (supressed) are carrier frequency, burst length and Signal Gap Time (see diagram below).

The data signal should fullfill the following condition:

- Carrier frequency should be close to center frequency of the bandpass (e.g. 38 kHz).
- Burst length should be 6 cycles/burst or longer.
- After each burst a gap time of at least 9 cycles is necessary.
- The data format should not make a continuous signal transmission. There must be a Signal Gap Time (longer than 25 ms) at least each 150 ms (see figure A)

Some examples for suitable data format are:

NEC Code (repetitive pulse), NEC Code (repetitive data), Toshiba Micom Format, Sharp Code, RC5 Code, RECS-80 Code, R-2000 Code.

When a disturbance signal is applied to the TSOP18..SS3V it can still receive the data signal. However the sensitivity is reduced to that level that no unexpected pulses will occur.

Some examples for such disturbance signals which are suppressed by the TSOP18..SS3V are:

- DC light (e.g. from tungsten bulb or sunlight),
- Continuous signal at 38 kHz or at any other frequency,
- Signals from fluorescent lamps (see figure B).
- Continuous IR signal (e.g. 1 ms burst, 2 ms pause)

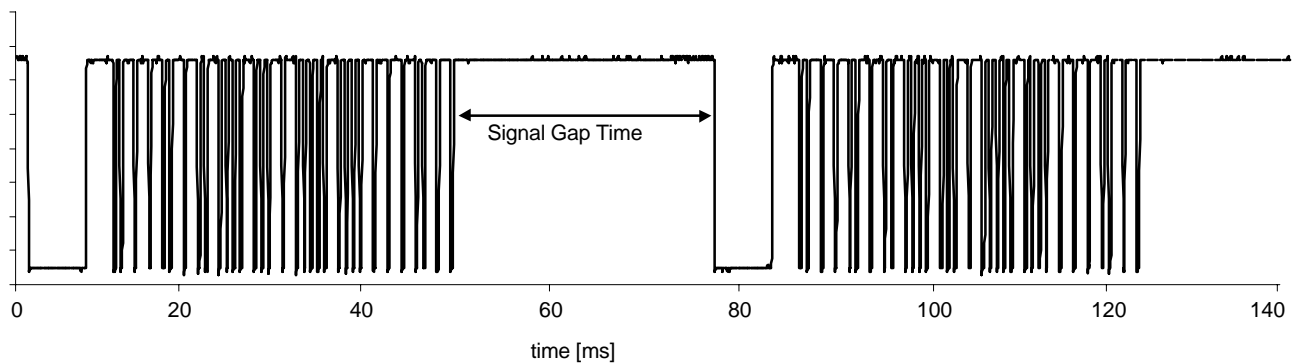


Figure A: Data Signal (Output of IR Receiver) with a Signal Gap Time of 20ms

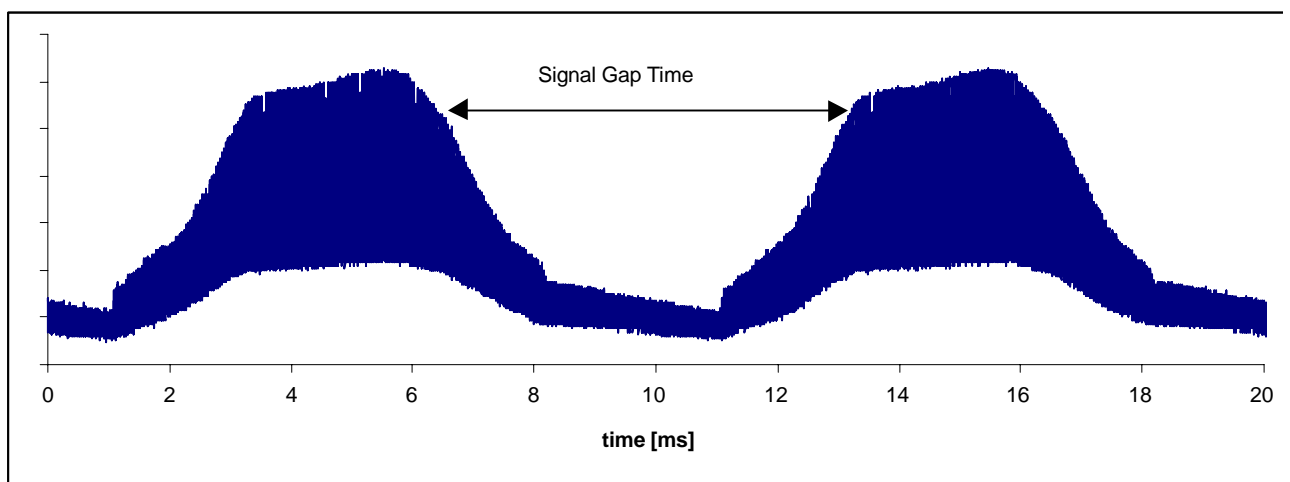


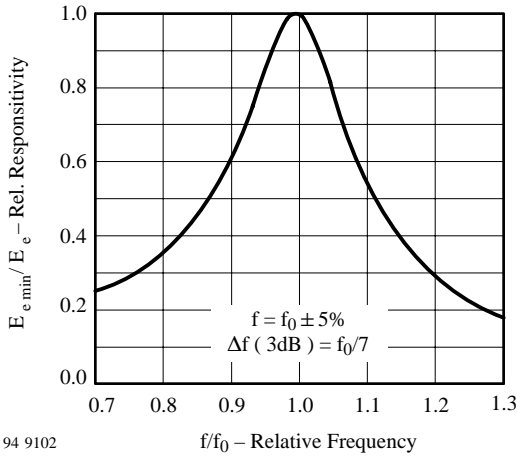
Figure B: Disturbance Signal from Fluorescent Lamp with Signal Gap Time of 7ms

# TSOP18..SS3V



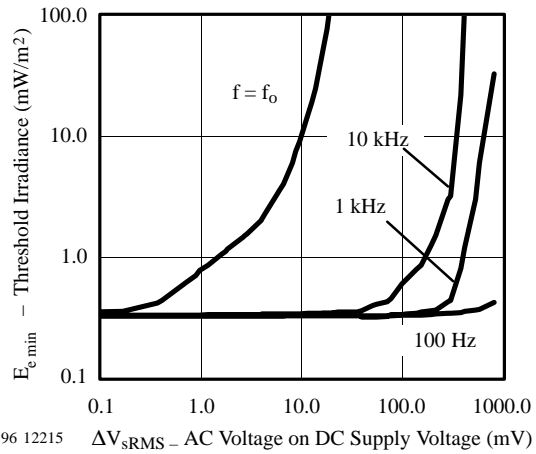
Vishay Semiconductors

## Typical Characteristics ( $T_{amb} = 25^{\circ}C$ , unless otherwise specified)



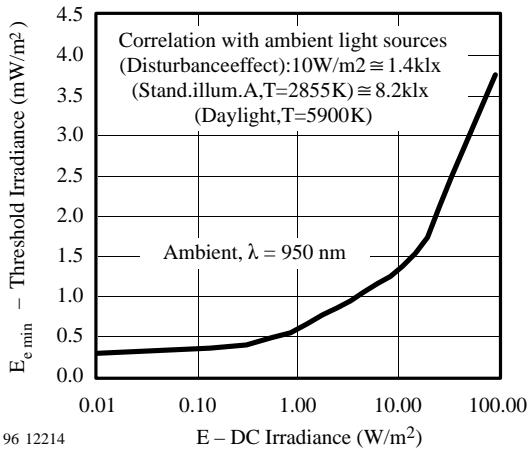
94 9102

Figure 1. Frequency Dependence of Responsivity



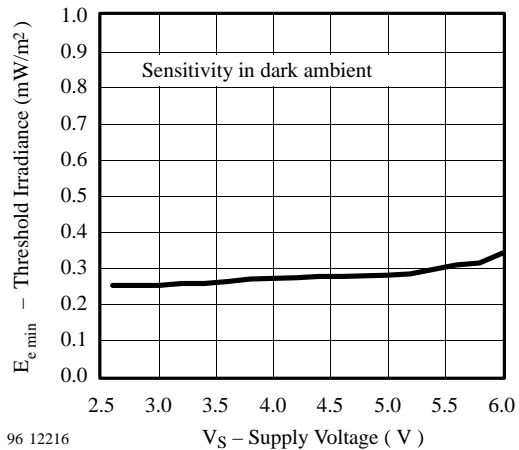
96 12215

Figure 4. Sensitivity vs. Supply Voltage Disturbances



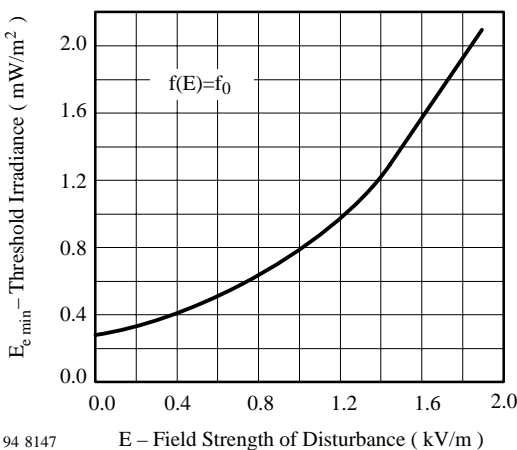
96 12214

Figure 2. Sensitivity in Bright Ambient



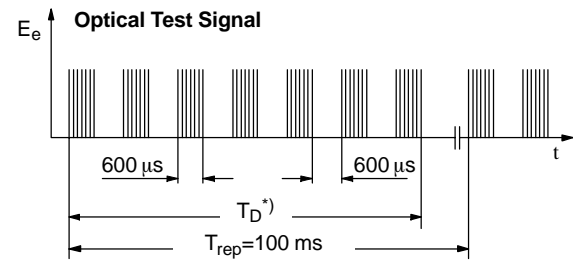
96 12216

Figure 5. Sensitivity vs. Supply Voltage



94 8147

Figure 3. Sensitivity vs. Electric Field Disturbances



$T_{rep} - T_D > 25\ ms$  is recommended for optimal function

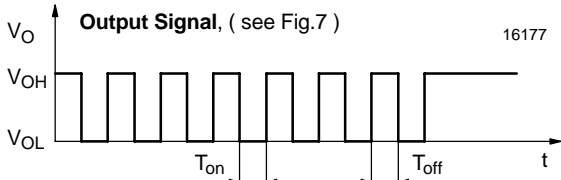


Figure 6. Output Function



# TSOP18..SS3V

Vishay Semiconductors

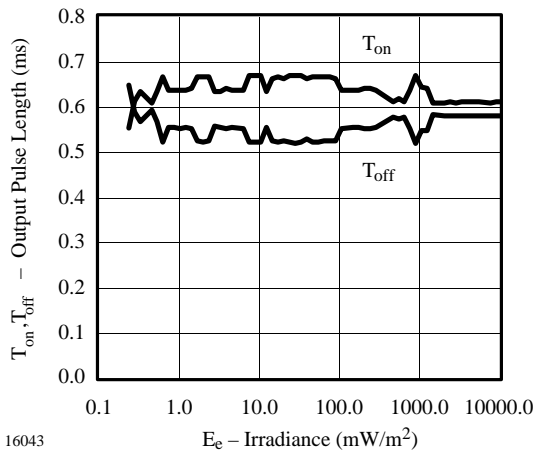


Figure 7. Output Pulse Diagram

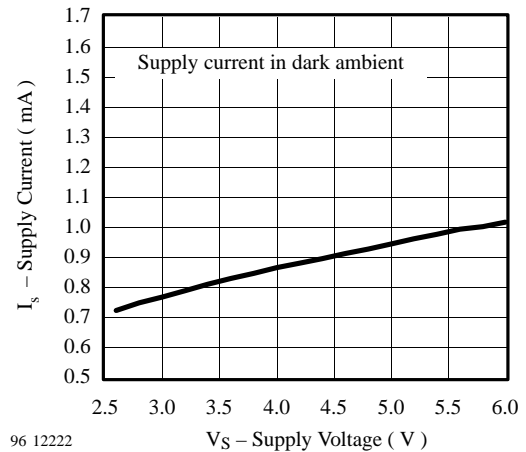


Figure 10. Supply Current vs. Supply Voltage

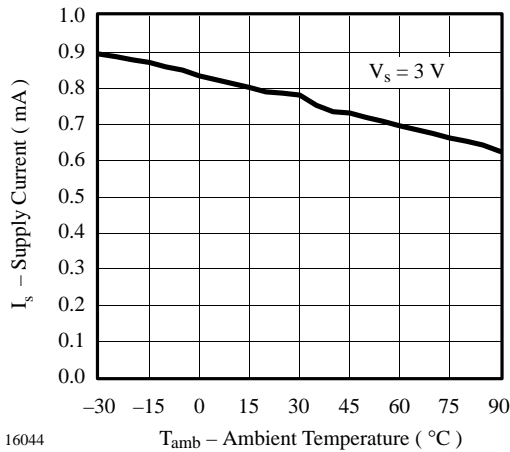


Figure 8. Supply Current vs. Ambient Temperature

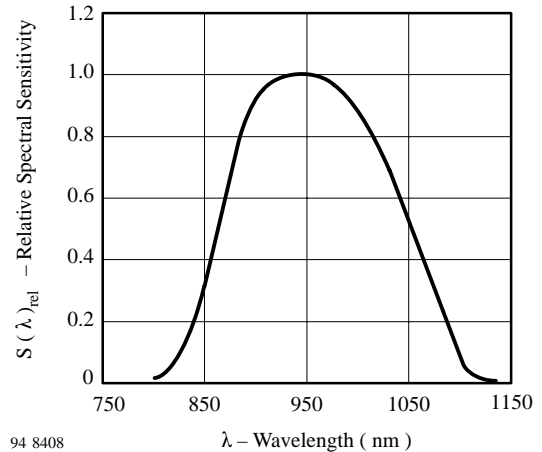


Figure 11. Relative Spectral Sensitivity vs. Wavelength

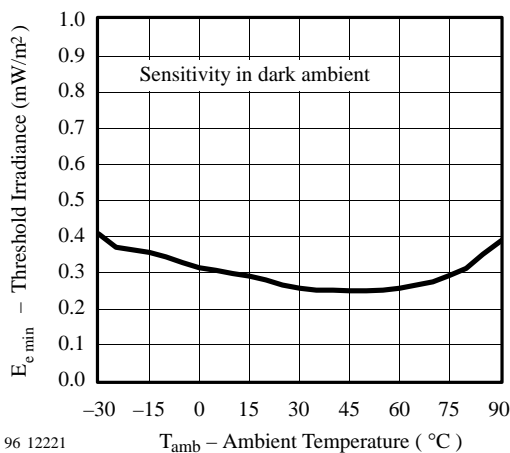


Figure 9. Sensitivity vs. Ambient Temperature

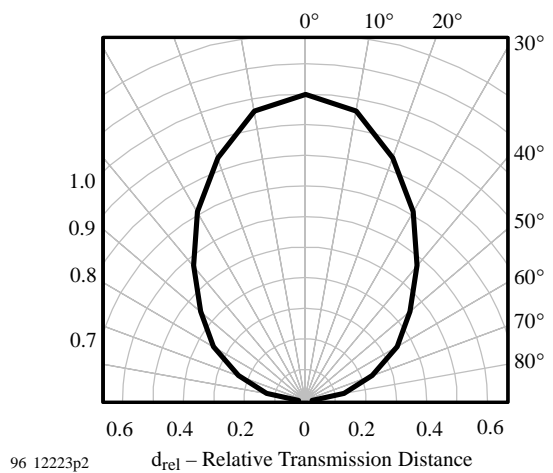


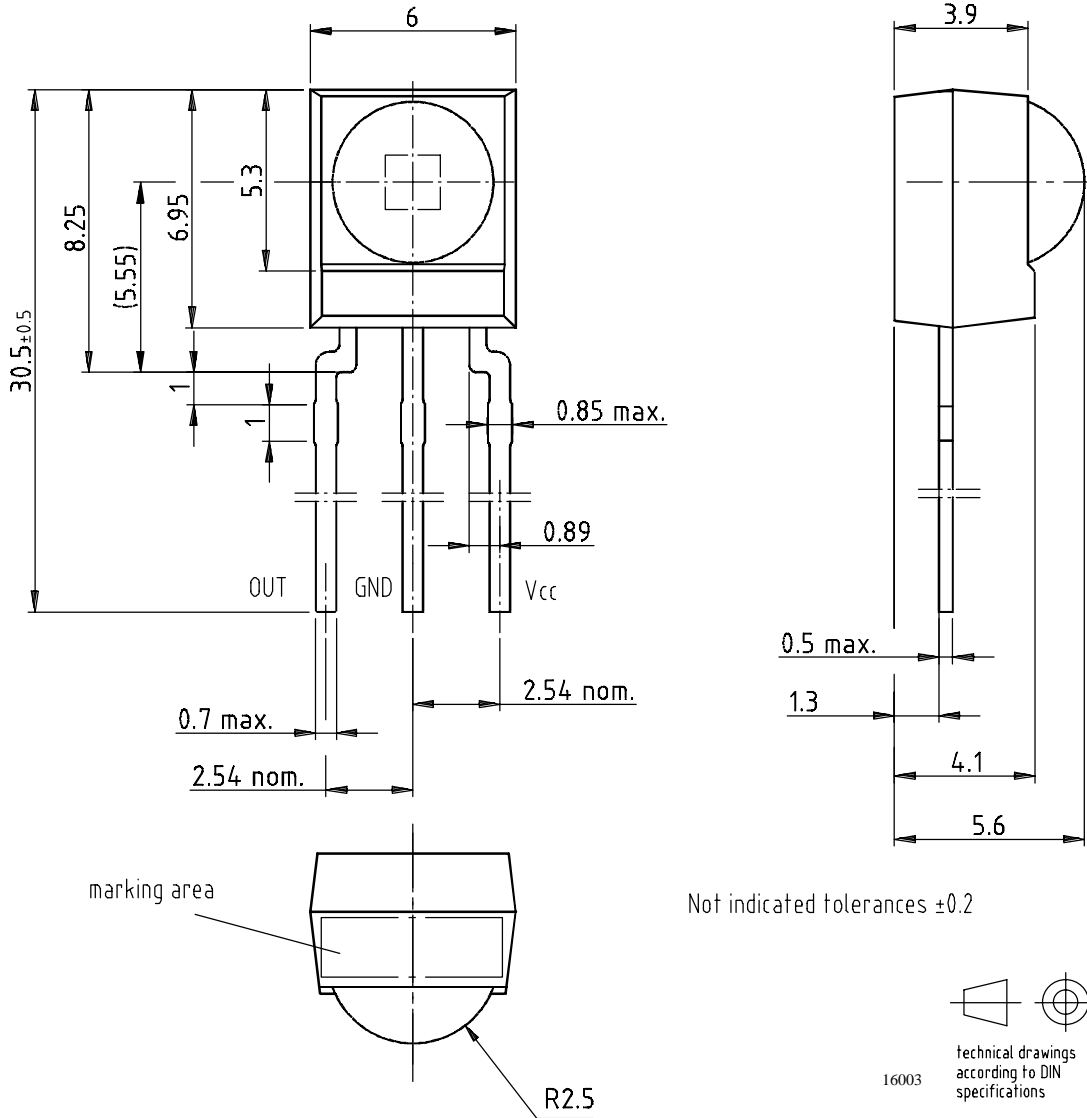
Figure 12. Directivity

# TSOP18..SS3V



Vishay Semiconductors

## Dimensions in mm





## Ozone Depleting Substances Policy Statement

It is the policy of **Vishay Semiconductor GmbH** to

1. Meet all present and future national and international statutory requirements.
2. Regularly and continuously improve the performance of our products, processes, distribution and operating systems with respect to their impact on the health and safety of our employees and the public, as well as their impact on the environment.

It is particular concern to control or eliminate releases of those substances into the atmosphere which are known as ozone depleting substances (ODSs).

The Montreal Protocol (1987) and its London Amendments (1990) intend to severely restrict the use of ODSs and forbid their use within the next ten years. Various national and international initiatives are pressing for an earlier ban on these substances.

**Vishay Semiconductor GmbH** has been able to use its policy of continuous improvements to eliminate the use of ODSs listed in the following documents.

1. Annex A, B and list of transitional substances of the Montreal Protocol and the London Amendments respectively
2. Class I and II ozone depleting substances in the Clean Air Act Amendments of 1990 by the Environmental Protection Agency (EPA) in the USA
3. Council Decision 88/540/EEC and 91/690/EEC Annex A, B and C (transitional substances) respectively.

**Vishay Semiconductor GmbH** can certify that our semiconductors are not manufactured with ozone depleting substances and do not contain such substances.

**We reserve the right to make changes to improve technical design and may do so without further notice.**

Parameters can vary in different applications. All operating parameters must be validated for each customer application by the customer. Should the buyer use Vishay Telefunken products for any unintended or unauthorized application, the buyer shall indemnify Vishay Telefunken against all claims, costs, damages, and expenses, arising out of, directly or indirectly, any claim of personal damage, injury or death associated with such unintended or unauthorized use.

Vishay Semiconductor GmbH, P.O.B. 3535, D-74025 Heilbronn, Germany  
Telephone: 49 (0)7131 67 2831, Fax number: 49 (0)7131 67 2423