

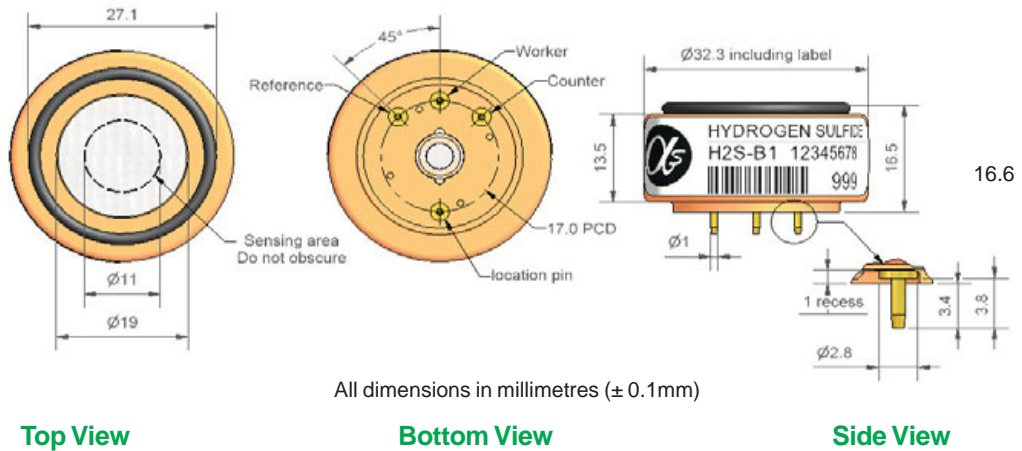


H2S-B1 Hydrogen Sulfide Sensor



PATENTED

Figure 1 H2S-B1 Schematic Diagram



Technical Specification

PERFORMANCE	Parameter	Specification	Range
	Sensitivity	nA/ppm in 20ppm H ₂ S	300 to 440
	Response time	t ₉₀ (s) from zero to 20ppm H ₂ S	< 35
	Zero current	ppm equivalent in zero air	< ± 0.2
	Resolution	RMS noise (ppm equivalent)	< 0.1
	Range	ppm H ₂ S limit of performance warranty	200
	Linearity	ppm error at full scale, linear at zero and 20ppm H ₂ S	1 to -8
	Overgas range	maximum ppm for stable response to gas pulse	500

LIFETIME	Parameter	Specification	Range
	Zero drift	ppm equivalent change/year in lab air	< 0.05
	Sensitivity drift	% change/year in lab air, monthly test	< 2
	Operating life	months until 80% original signal (24 month warranted)	> 24

ENVIRONMENTAL	Parameter	Specification	Range
	Sensitivity @ -20°C	% (output @ -20°C/output @ 20°C) @ 20ppm	83 to 93
	Sensitivity @ 50°C	% (output @ 50°C/output @ 20°C) @ 20ppm	102 to 110
	Zero @ -20°C	ppm equivalent change from 20°C	< ± 1
	Zero @ 50°C	ppm equivalent change from 20°C	< ± 1

CROSS SENSITIVITY	Gas	Sensitivity	% measured gas @	Specification	Range
	SO ₂	sensitivity	% measured gas @ 20ppm	SO ₂	< 18
	NO	sensitivity	% measured gas @ 50ppm	NO	< 6
	NO ₂	sensitivity	% measured gas @ 10ppm	NO ₂	< -30
	Cl ₂	sensitivity	% measured gas @ 10ppm	Cl ₂	< -25
	H ₂	sensitivity	% measured gas @ 400ppm	H ₂	< 1
	C ₂ H ₄	sensitivity	% measured gas @ 400ppm	C ₂ H ₄	< 0.8
	CO	sensitivity	% measured gas @ 400ppm	CO	< 4
	NH ₃	sensitivity	% measured gas @ 400ppm	NH ₃	< 0.1

KEY SPECIFICATIONS	Parameter	Specification	Range
	Temperature range	°C	-30 to 50
	Pressure range	kPa	80 to 120
	Humidity range	% rh	15 to 90
	Storage period	months @ 3 to 20°C (stored in sealed pot)	6
	Weight	g	< 13

NOTE: all sensors are tested at ambient environmental conditions, with 10 ohm load resistor, unless otherwise stated. As applications of use are outside our control, the information provided is given without legal responsibility. Customers should test under their own conditions, to ensure that the sensors are suitable for their own requirements.

H2S-B1 Performance Data

Technical Specification

Figure 2 Sensitivity Temperature Dependence

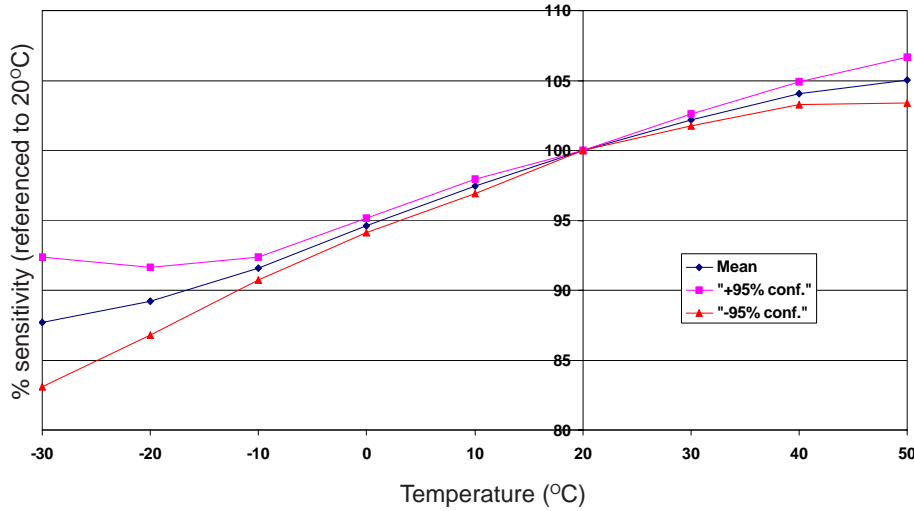


Figure 2 shows the variation in sensitivity caused by changes in temperature.

This data is taken from a typical batch of sensors. The mean and $\pm 95\%$ confidence intervals are shown.

Figure 3 Zero Temperature Dependence

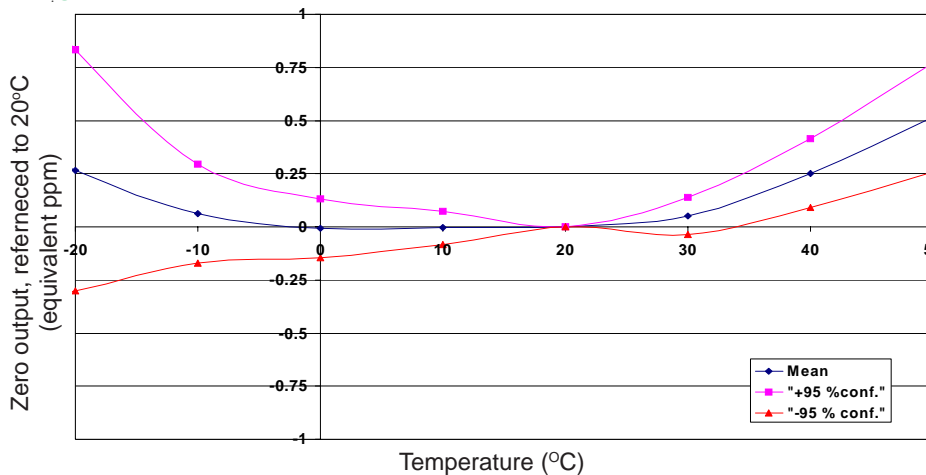


Figure 3 shows the variation in zero output caused by changes in temperature, expressed as ppm gas equivalent.

This data is taken from a typical batch of sensors. The mean and $\pm 95\%$ confidence intervals are shown.

Figure 4 Sensitivity Long Term Stability

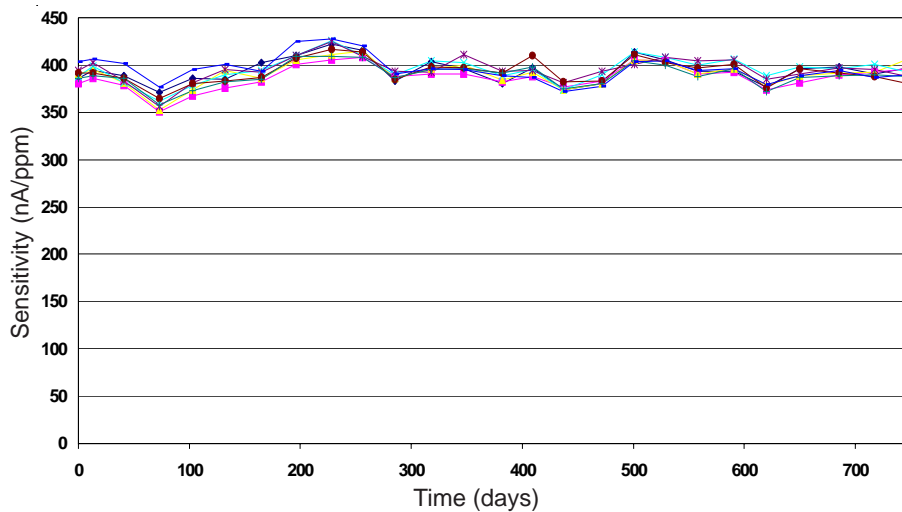


Figure 4 shows the long term stability over 2 years for the H2S-B1. With no effective change in response to the H2S, the sensor is ideal for low maintenance, fixed sites.

For further information on the performance of this sensor, on other sensors in the range or any other subject, please contact Alphasense Ltd. For Application Notes visit "www.alphasense.com".