

PRODUCT DATASHEET

FOP-M260 Medical Pressure Solution



Application Products

- FOP-M260 sensor
- FPI-HR and FPI-HS modules
- EVOLUTION chassis

Key Features

- High accuracy
- EM/RF/MW interference complete immunity
- Miniature and rugged sensor for in situ pressure measurements

Specifications

	FPI-HR	FPI-HS
Pressure range ¹	-300 mmHg to 300 mmHg	-300 mmHg to 300 mmHg
Sensitivity thermal effect ²	<0.04% / °C	<0.04% / °C
Zero thermal effect ²	0.2 mmHg / °C	0.2 mmHg / °C
Proof pressure	>600 mmHg	>600 mmHg
Accuracy	2 mmHg	2 mmHg or better
Resolution	<0.3 mmHg (40 Pa)	<0.1 mmHg (13 Pa)
Sampling rate	Up to 250 Hz per module	Up to 15 kHz per module
Power consumption	5 Watts	5 Watts
Analog output (Optional)	0 to 5V or 4-20 mA / 16 bits resolution	0 to 5V / 16 bits resolution
Operating temperature	10°C to 50°C	10°C to 50°C
Storage temperature	-30°C to 80°C	-30°C to 80°C
Connector	SCAI ³ , SCA	SCAI ³ , SCA
Fiber core size	62.5/125µm	62.5/125µm
Number of channel(s)	1 or 2	1
Communication / Evolution chassis	USB via EVO chassis / TS 35 DIN RAIL	USB via EVO chassis / TS 35 DIN RAIL
Communication/OEM	RS-232 / RS-485	RS-232 / RS-485
LED sensor signal and communication diagnostic	Yes	Yes

1. Relative to atmospheric pressure

2. Determined between 10°C and 70°C

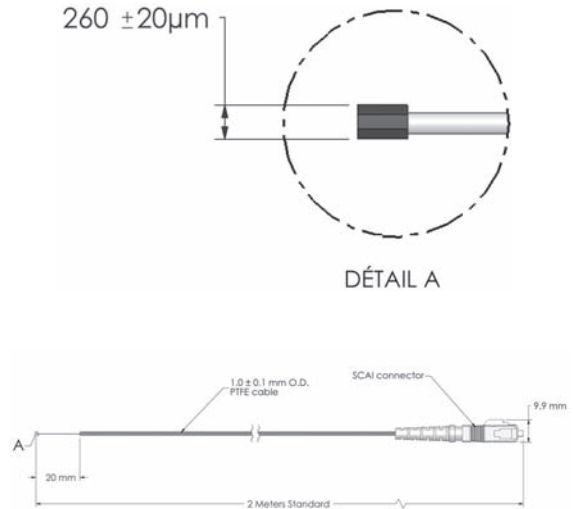
3. SCAI is an SCA connector with smart chip communicating calibration data to signal conditioner module

Applications

- **Laboratory**
 - Preclinical studies
 - Animal testing
 - Pharmacology
- **Medical**
 - Cardiology
 - Neurology
 - Anaesthesiology
 - Pneumonology
 - Gastroenterology
 - Urology
 - Gynecology
 - Ophthalmology
 - Electrosurgery
 - Thermal therapy
 - Preclinical studies
 - MRI and other RFI environments
- **OEM products**
 - Custom design for embedment in diagnostics or therapeutic medical devices
 - High-volume / low-cost available sensors
 - Proven high-volume automated production facilities and practices complying with recognized medical authorities
 - Computerized product testing in assembly line

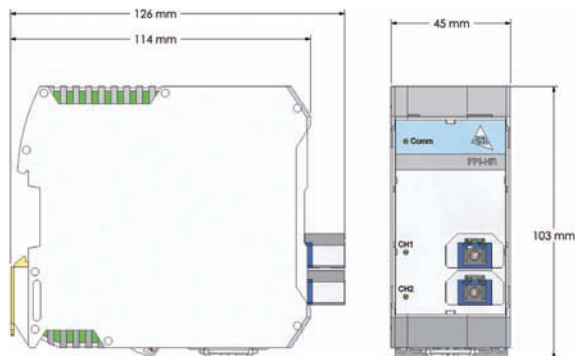
FOP-M Dimensions

FOP-M260-BA Model

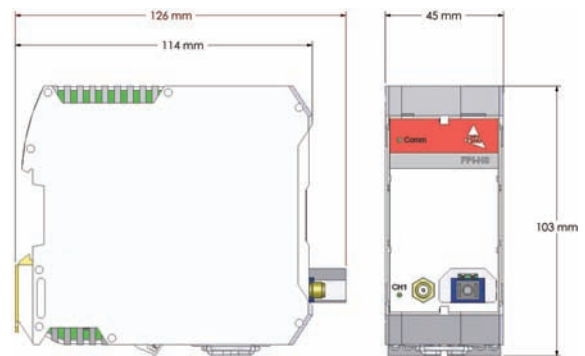


FPI Modules Dimensions

FPI-HR



FPI-HS



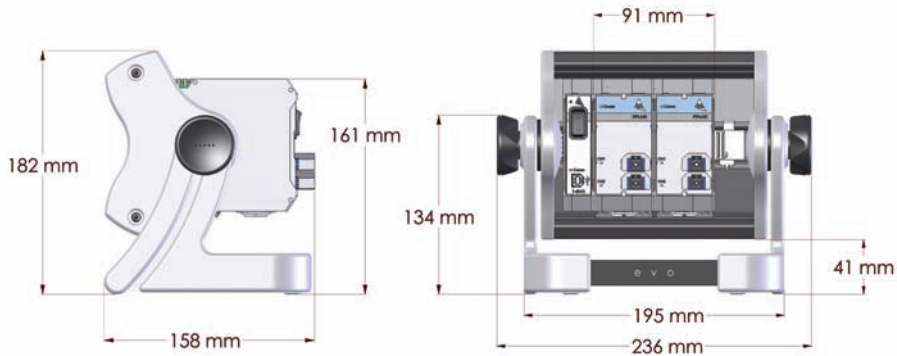
Specifications

Chassis

	EVOLUTION EVO-SD-2	EVOLUTION EVO-SD-5	EVOLUTION EVO-HMI-3 (Coming Soon)	EVOLUTION EVO-RM-8 Rackmount
Display	—	—	LCD WVGA (800 × 480) Touchscreen	—
Communication	USB Expansion RS-485	USB Expansion RS-485	USB Ethernet Gbits Expansion RS-485	USB Expansion RS-485
Data logging memory	Via computer	Via computer	Internal, SD, USB slave	Via computer
Number of modules	Up to 2	Up to 5	Up to 3	Up to 8
Expansion chassis	EVO-SD-5	EVO-SD-5	EVO-SD-5	EVO-RM-8
Power supply	24VDC 70W	24VDC 70W	24VDC 70W	24VDC 70W

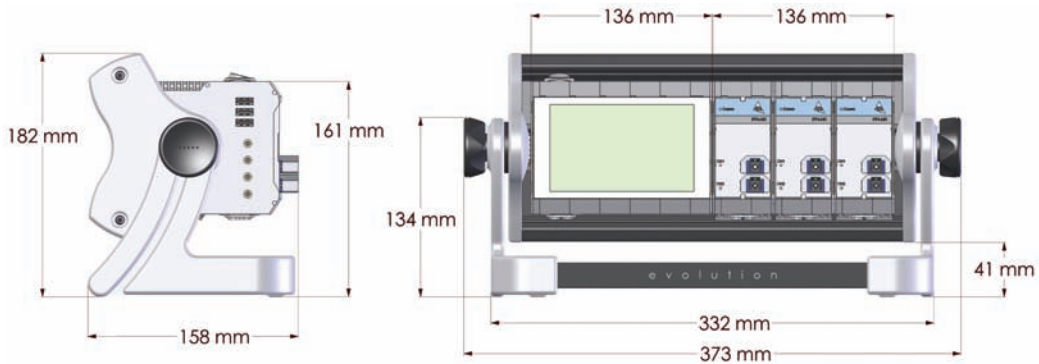
Evolution Chassis Dimensions

EVO-SD-2 Model



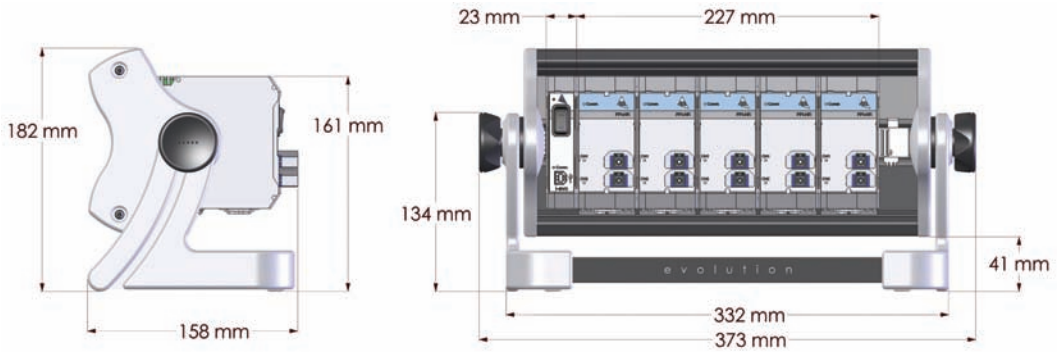
EVO-HMI-3 Model

COMING SOON

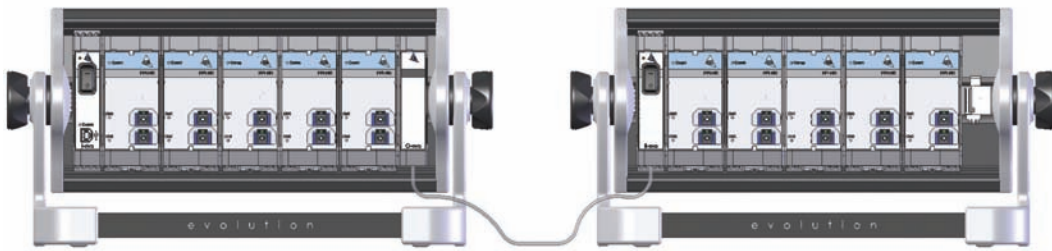


Evolution Chassis Dimensions

EVO-SD-5 Model



EVO-SD-5-EXP-Cable Model



EVO-RM-8 Model

