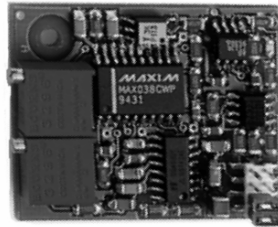




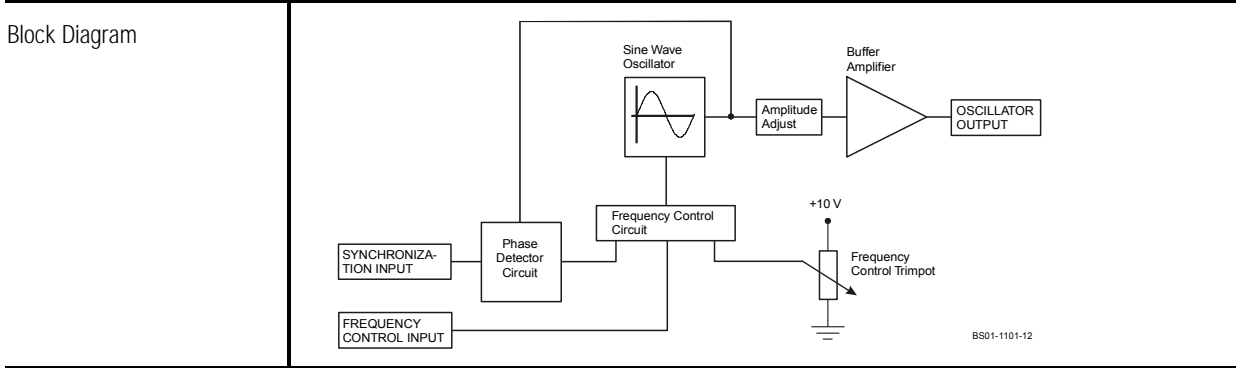
Datasheet **SOM-1**

Reference Sine Oscillator Module for LIA-BV-150/LIA-MV-200 Series



Features	<ul style="list-style-type: none"> • Sine Wave Output from 5 Hz to 130 kHz • Adjustable Frequency and Amplitude • PLL for Synchronization to External Reference • Plug-In Module for Series LIA-BV(D)-150/LIA-MV(D)-200 Lock-In Amplifiers
----------	--

Applications	<ul style="list-style-type: none"> • Reference Source for Lock-In Amplifier
--------------	--



Specifications	Test Conditions	Vs = ± 5 V, Ta = 25°C
Oscillator Frequency	Frequency Range	4 ranges, 5 Hz ... 130 kHz total (factory set at 1 kHz)
	Manual Frequency Control	4 range settings via jumpers 5-6 and 7-8, adjustable frequency within range via 25-turn trimpot
	Remote Frequency Control	4 range settings via digital control input pins 4 and 6, leave jumpers 5-6 and 7-8 open, adjustable frequency within range via control voltage 0 V ... + 10 V at pin 10 with reference to GND pin 8
	THD	0.8 % typ.
Oscillator Amplitude	Amplitude Range	0 ... 2 Vrms (factory set at 1 Vrms)
	Amplitude Control	25-turn trimpot
	Amplitude Accuracy	100 ppm/K
Oscillator Output	Output Impedance	10 Ω (terminate with load > 1 kΩ)
	Maximum Output Current	± 5 mA
External Synchronization	Synchronization Input	opto-coupler input with reference to synchronization ground pin 3
	Sync. Input Voltage Level	Low: - 0.8 V ... + 1.2 V, High: + 3.5 V ... + 6 V
	Sync. Input Current	0 mA @ 0 V, 6 mA @ + 5 V typ.
Power Supply	Supply Voltage	± 5 V
	Supply Current	± 70 mA

Datasheet

SOM-1

Reference Sine Oscillator Module for LIA-BV-150/LIA-MV-200 Series

Board	Dimensions Weight	31 mm x 39 mm 10 g (0.022 lbs)															
Temperature Range	Storage Temperature Operating Temperature	- 40 ... + 100 °C 0 ... + 60 °C															
Absolute Maximum Ratings	Power Supply Voltage	± 6 V															
Jumper Settings (JP6)	Frequency Range Selection	<table border="1"> <thead> <tr> <th>5 - 6</th> <th>7 - 8</th> <th>Frequency Range</th> </tr> </thead> <tbody> <tr> <td>close</td> <td>close</td> <td>5 Hz ... 90 Hz</td> </tr> <tr> <td>open</td> <td>close</td> <td>60 Hz ... 1.2 kHz</td> </tr> <tr> <td>close</td> <td>open</td> <td>900 Hz ... 18 kHz</td> </tr> <tr> <td>open</td> <td>open</td> <td>7 kHz ... 130 kHz</td> </tr> </tbody> </table>	5 - 6	7 - 8	Frequency Range	close	close	5 Hz ... 90 Hz	open	close	60 Hz ... 1.2 kHz	close	open	900 Hz ... 18 kHz	open	open	7 kHz ... 130 kHz
5 - 6	7 - 8	Frequency Range															
close	close	5 Hz ... 90 Hz															
open	close	60 Hz ... 1.2 kHz															
close	open	900 Hz ... 18 kHz															
open	open	7 kHz ... 130 kHz															
	Frequency Control	<table border="1"> <thead> <tr> <th>1 - 2</th> <th>Control Mode</th> </tr> </thead> <tbody> <tr> <td>open</td> <td>trimpot control</td> </tr> <tr> <td>close</td> <td>voltage control (external interface)</td> </tr> </tbody> </table>	1 - 2	Control Mode	open	trimpot control	close	voltage control (external interface)									
1 - 2	Control Mode																
open	trimpot control																
close	voltage control (external interface)																
	External Synchronization	<table border="1"> <thead> <tr> <th>3 - 4</th> <th>Synchronization</th> </tr> </thead> <tbody> <tr> <td>open</td> <td>on</td> </tr> <tr> <td>close</td> <td>off</td> </tr> </tbody> </table>	3 - 4	Synchronization	open	on	close	off									
3 - 4	Synchronization																
open	on																
close	off																
Jumper Positions Diagram																	
Connector	Connector Type	2 mm pitch socket, 10-pin															
	Oscillator Output	Pin 2: oscillator output Pin 8: output GND															
	Control Inputs	Pin 4: frequency range control input, MSB Pin 6: frequency range control input, LSB Pin 10: frequency control input Pin 1: external synchronization input Pin 3: external synchronization input GND															
	Power Supply	Pin 9: power supply - 5V Pin 5: power supply + 5V Pin 7: power supply GND															

FEMTO Messtechnik GmbH
Paul-Lincke-Ufer 34
D-10999 Berlin · Germany
Tel.: +49 (0)30 - 4 46 93 86
Fax: +49 (0)30 - 4 46 93 88
E-Mail: info@femto.de
<http://www.femto.de>

Specifications are subject to change without notice. Information furnished herein is believed to be accurate and reliable. However, no responsibility is assumed by FEMTO Messtechnik GmbH for its use, nor for any infringement of patents or other rights granted by implication or otherwise under any patent rights of FEMTO Messtechnik GmbH. Product names mentioned may also be trademarks used here for identification purposes only.
© by FEMTO Messtechnik GmbH
Printed in Germany