

DB60系列是采用微隙方式的放电管型电源用浪涌吸收器。引脚间距仅为5mm，结构小巧，贴装面积小。

The DB60 Series are designed specifically for power supplies using microgap technology to discharge surges.

With a 5mm pitch and a small body size, the part takes up very little space on the board.

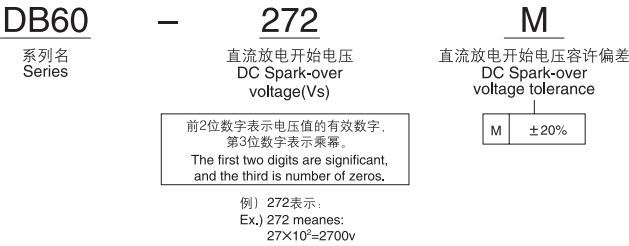
■特点

- 引脚间距为5mm的径向编带形状，适合自动插装。
- 在电源线接地之间串接压敏电阻 ($V1mA \geq 270V$ $D \geq \phi 5mm$)后使用。
- 采用微隙方式，浪涌响应特性优异。
- 100MΩ以上的高绝缘阻抗特性。

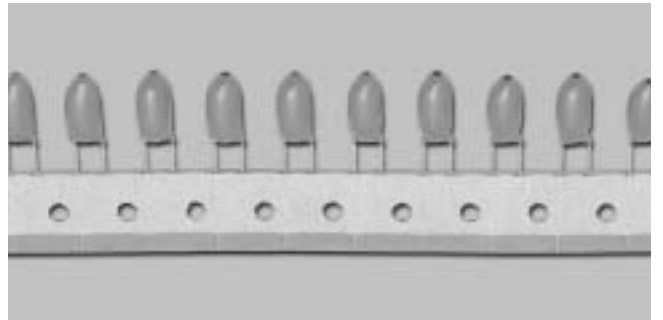
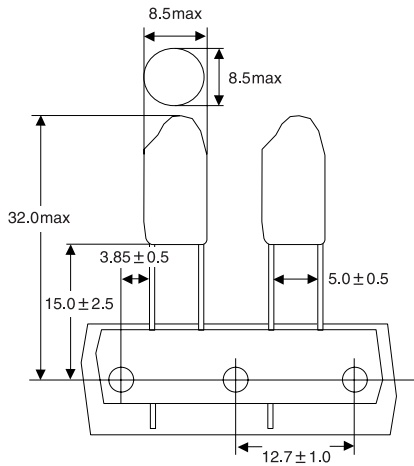
■Features

- The 5mm pitch; radial taped parts can be mounted using automatic insertion equipment.
- Superior surge response characteristics due to microgap technology.
- High insulation resistance of over 100MΩ.
- UL Standard : Under an application.

■型号构成 Part number system



■形状·尺寸 Dimensions



■特性 Characteristics

型号 Part No.	直流放电开始电压 Spark Over Voltage	绝缘阻抗 IR		静电容量 Capacitance	浪涌耐量 Surge current capacity	浪涌寿命 Surge Life	AC耐电压 Withstanding Voltage	UL规格认证产品 UL recognized	
		100MΩ min.	DC500V DC1000V					3) UL1414	4) UL1449
DB60-272M	2700V ±20%			100MΩ min.	DC500V DC1000V	1pF max.	1500A (8/20μsec.)	8/20μsec. 100A 200times	AC1200V-3sec.
DB60-302M	3000V ±20%	AC1500V-1min.	○1)						○2)
DB60-362M	3600V ±20%	AC1800V-3sec.	○1)						○2)
DB60-452M	4500V ±20%	AC2000V-1min.	○1)						-

- 1): 与压敏电阻 (AC125V $V1mA \geq 270V$ 8 Joule Min at 2ms, AC250V $V1mA \geq 470V$ 15 Joule Min at 2ms) 电气串接 (导线绕焊、压接、焊接等) 即可被认证。
Approved if used together with a varistor (AC125V : $V1mA \geq 270V$, 8 Joule Min at 2ms, AC250V : $V1mA \geq 470V$, 15 Joule Min at 2ms), electrically connected in series by means such as twist and soldering, staking, welding etc.
- 2): 与压敏电阻 (AC125V $V1mA \geq 270V$ $D \geq \phi 5mm$, AC250V $V1mA \geq 470V$ $D \geq \phi 5mm$) 电气串接 (导线绕焊、压接、焊接等) 即可被认证。
Approved if used together with a varistor (AC125V : $V1mA \geq 270V$, $D \geq \phi 5mm$, AC250V : $V1mA \geq 470V$, $D \geq \phi 5mm$), electrically connected in series by means such as twist and soldering, staking, welding etc.
- 3): UL Standard UL1414 File No.E89615 (N)
- 4): UL Standard UL1449 File No.E70785 (S)