

Valve controller

2224



- Front-programmable
- mA, V, and Ω programmable input
- Ramp times, jump values, reversal, chopper frequency, and deadband
- 3-digit LED display shows I-valve % value
- 1 or 2 channels



Advanced features

- Multifunction user interface consisting of three pushbuttons and a 3-digit LED display.
- All parameters are protected against unauthorized changes with a password.

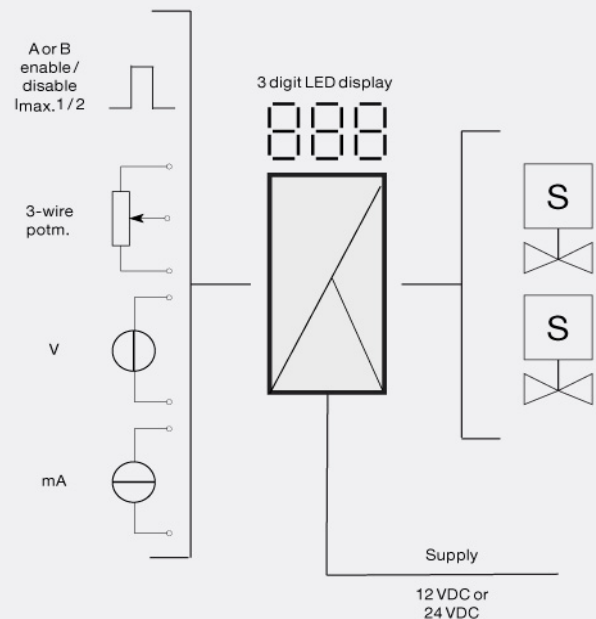
Application

- Control and regulation of single- or double-coil hydraulic and pneumatic proportional valves used for accurate oil flow regulation, linear soft acceleration and deceleration, modulated output signal, and programmable deadband.
- Is highly suitable for joystick regulation of A/B movements.
- Where changes to A and B need to be selected directly or according to the value of an input signal.

Technical characteristics

- During operation the display shows the present output signal as a % of the I valve.
- Programmable current or voltage input for standard signals acc. to order schedule, joystick / potentiometer or a special non-programmable input.
- Digital inputs for external control functions.
- A pulsating current output prevents the connected valve from sticking.
- Optional programming of the modulation frequency (PWM) between 8 and 400 Hz.
- Multiple adjustable parameters such as output currents, ramp times, jump values, chopper frequency, reversal, deadband, and ON/OFF functions.
- Mounting for a standard 11-pole socket which can be adapted for DIN rail or plate use with PR's 7023 adaptor and 7024 mounting keying.

Connections



Order:

Type	Input	Supply	Option
2224	0...20 mA : A	12 V : 1	Single valve (A) : A
	4...20 mA : B	24 V : 2	Double valve (A/B) : B
	0...1 V : C		
	0.2...1 V : D		
	0...10 V : E		
	2...10 V : F		
	±10 V potentiometer : G		
	0...10 V potentiometer : H		

Environmental Conditions

Specifications range..... -20°C to +60°C
 Relative humidity..... < 95% RH (non-cond.)
 Protection degree..... IP50

Mechanical specifications

Dimensions (HxWxD)..... 80.5 x 35.5 x 84.5 mm (D is without pins)
 Weight approx..... 130 g

Common specifications

Supply voltage..... 9.6...14.4 or 19.2...28.8 VDC
 Internal consumption..... 2 W / 24 V
 Internal consumption..... 1.8 W / 12 V
 Communication..... Front-programmable
 Updating time..... 30 ms
 Temperature coefficient..... 0.01%/°C
 Linearity error..... 0.2%
 EMC immunity influence..... < 2% of span

Input specifications

Current input: Measurement range..... 0...20 mA
 Current input: Measurement range..... 4...20 mA
 Input resistance, current input..... 50 Ω + PTC (54 Ω)
 Voltage input: Measurement range..... 0/0.2...1 V and 0/2...10 V
 Input resistance, voltage input..... 10 MΩ
 Potentiometer input..... 0...10 V or ±10 V / 10 kΩ
 Operation / shutdown..... PNP / 2.2 kΩ, 12 / 24 V
 I_{max.1} & I_{max.2}..... PNP / 2.2 kΩ, 12 / 24 V
 A / B channel..... PNP / 2.2 kΩ, 12 / 24 V
 Deadband..... 0...99.9% of input span

Output specifications

Output voltage..... Supply voltage-0.5 V (max.)
 Output power..... 36 W (max.)
 Output current..... 3000 mA mean
 Current peak..... 7 A
 Reference voltage..... 10 VDC (A valve)
 Reference voltage..... ±10 VDC (A & B valve)
 Ramp up & down..... Time 0...10.0 s
 PWM frequency..... 8...400 Hz in steps of 1 Hz
 *of span..... = of the presently selected range

Approvals

EMC..... EN 61326-1
 GOST R..... Yes