

Pioneering new technologies
Pioneering new technologies

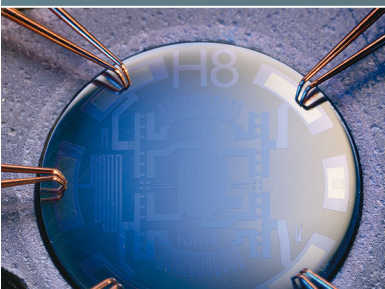
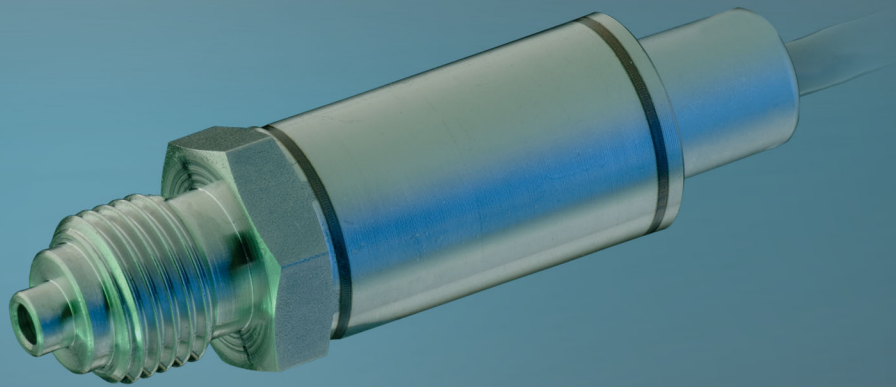


Sensor-Technik Wiedemann GmbH
Mobile Controllers and Measurement Technologies

TEC *Tect Electronics*
The authorized distributor in the Greater China Region

Pressure transmitter A08-XHT

Pressure transmitter A08-XHT



Pressure transmitter A08-XHT – for media temperature up to 200°C

Characteristics

- Thin-film measuring element without oil-fill
- Complete stainless steel construction
- Simple mounting
- Ideal for hydraulic systems
- Low cost
- High media temperature up to 200°C

Applications

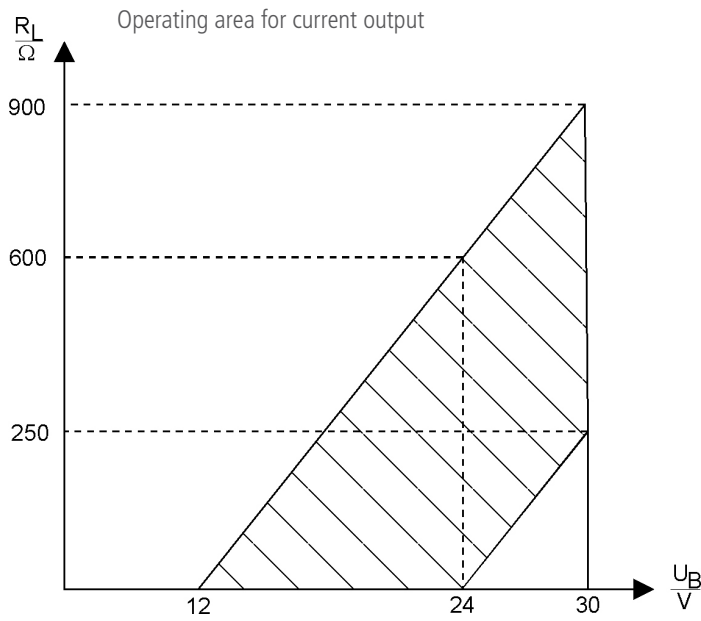
- Hydraulic facilities
- Control systems
- Chemical and process engineering facilities



Technical specifications

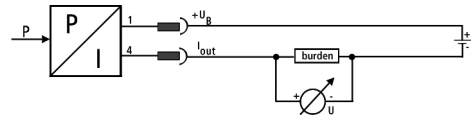
Gauge pressure range	0 ... 20 bar to 0 ... 1000 bar, special pressure ranges without extra charge						
Standard pressure range	bar	20	60	160	400	800	1000
Overload	bar	40	100	300	600	1000	1200
Linearity	% FS (typ.)	0.5	0.2				
Pressure hysteresis and repeatability	% FS	0.1					
Thermo effect on zero	% FS/10K (typ.)	0.4					
Thermal effect on span	% FS/10K (typ.)	0.2					
Media temperature	°C	-40 ... +200 (other temperature ranges available)					
Operating temperature	°C	-40 ... +125					
Storage temperature	°C	-40 ... +125					
Excitation voltage	12 ... 30 VDC (with current output) 15 ... 30 VDC					allowable ripple @ 50 Hz: 10%	
Output signal	4-20 mA (2-wire-technique), 0-10 V*, frequency					*minimum output voltage: 50 mV	
Electrical connection	M12-plug, reverse polarity and shortcircuit protection (cable-connector not included)						
Pressure connection	G 1/4, other threads available						
Protection class	IP 65						
EMC	EN 61000-6-2 EN 61000-6-3						
Material housing	1.4571 or 1.4542						
Material diaphragm	1.4542						

Pressure transmitter A08-XHT – for media temperature up to 200°C

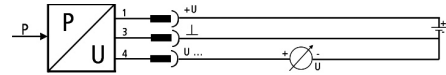


$$\text{load: } R_L = \frac{U_B - 12 \text{ V}}{0,02 \text{ A}}$$

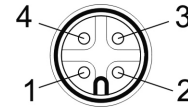
Electrical connection for 2-wire-technique



Electrical connection for 3-wire-technique



Pin occupancy M12-connector

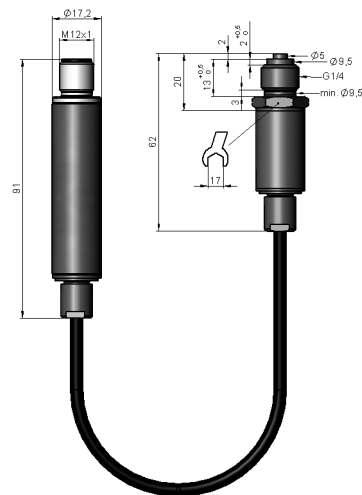
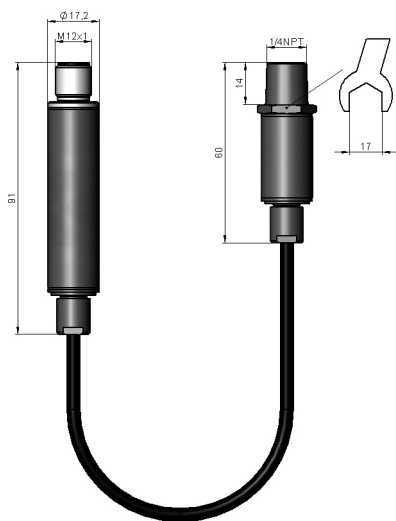


Connection STW-Pressure transducer

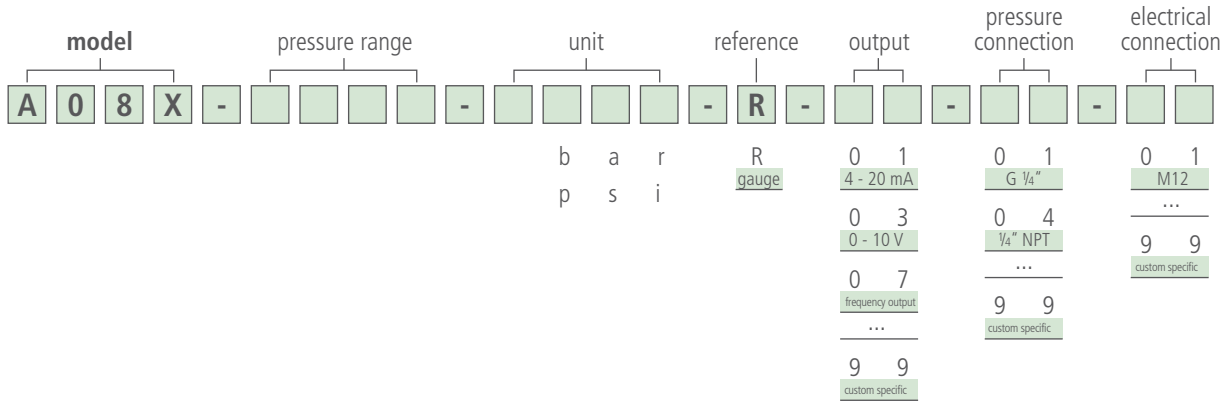
	plug pins	
	4-20 mA	0 - 10 V
+UB	1	1
GND	-	3
Output	4	4

pressure connection
1/4 NPT

G 1/4"



Order codes overleaf!

Order codes


Sensor-Technik Wiedemann GmbH
Steuer- und Regelelektronik
 Am Bärenwald 6
 87600 Kaufbeuren
 Germany
 Telephone +49 (0) 8341 9505-0
 Telefax +49 (0) 8341 9505-55
 E-Mail info@sensor-technik.de
 Internet www.sensor-technik.de

STW-Technic, LP
Mobile Controllers and
Measurement Technologies
 3000 Northwoods Parkway, Suite 260
 Norcross, GA 30071, USA
 Telephone +1 (770) 242-1002
 Telefax +1 (770) 242-1006
 E-Mail sales@stw-technic.com
 Internet www.stw-technic.com

Sensor-Technik UK Ltd.
 Unit 1, Stoke Mills
 Mill Road
 Sharnbrook, Bedfordshire
 MK44 1NN England
 Telephone +44 (0) 1234 7820-49
 Telefax +44 (0) 1234 7820-56
 E-Mail info@sensor-technik.co.uk
 Internet www.sensor-technik.co.uk