

# MIXERS/AMPLIFIERS

Surface Mount

## High IP3 (LO Power +0 dBm) 810 to 1940 MHz

**NEW!**



MAX

MODEL NO.	FREQUENCY (MHz)			OUTPUT IP3 (dBm) Typ.	RF INPUT @1dB Compr. (dBm)	CONVERSION GAIN (dB)		NOISE FIGURE (dB) Max.	LO-RF ISOL. (dB)		LO-IF ISOL. (dB)		DC POWER Current (mA)		CASE STYLE	FUNCTION	PRICE \$ Qty. (1-9)
	RF	LO	IF			Typ.	Max.		Typ.	Min.	Typ.	Min.	Volt	Max.			
◆ MAX-9H	810-930	570-675	240-260	33	8	8	11	11	22	10	2	—	5	165	BJ937	nv	19.95
◆ MAX-19H	1700-1940	1450-1675	240-260	32	7	7.5	10	11	19	10	6	—	5	165	BJ937	nv	19.95

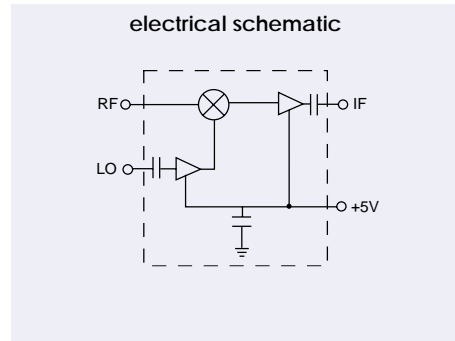
\*LO to IF isolation is measured at input to LO internal amplifier and at output of internal IF amplifier. To improve rejection, select filter from LFCN or HFCN series.

### features

- low LO Power, 0 dBm
- gain, 9 dB typ.
- output IP3, 33 dBm typ. (MAX-9H), 32 dBm typ. (MAX-19H)
- noise figure, 9 dB typ.
- patent pending

### applications

- GSM
- DCS/PCS



### NOTES:

- A. Aqueous washable
- A. Environmental specifications and re-flow soldering information available in General Information Section.
- B. Units are non-hermetic unless otherwise noted. For details on case dimensions & finishes see "Case Styles & Outline Drawings".
- C. Prices and Specifications subject to change without notice.
- 1. Absolute maximum power, voltage and current ratings:
  - 1a. LO Power, 10 dBm
  - 2a. RF Power, 15 dBm

### pin connections

see case style outline drawings

PORT	nv
LO	1
RF	3
IF	5
DC	7
GROUND	2,4,6,8

050909



INTERNET <http://www.minicircuits.com>

P.O. Box 350166, Brooklyn, New York 11235-0003 (718) 934-4500 Fax (718) 332-4661

Distribution Centers NORTH AMERICA 800-654-7949 • 417-335-5935 • Fax 417-335-5945 • EUROPE 44-1252-832600 • Fax 44-1252-837010

Mini-Circuits ISO 9001 & ISO 14001 Certified