

Bias Tees

0.01 to 40 GHz



Pulsar offers a large variety of bias tees that cover frequencies from 30 KHz to 40 GHz in both surface mount and connectorized packages. Many models are available with voltages up to 50 volts and currents up to 5 amps and custom requirements are welcomed. Options include higher voltage and current, higher RF input power and a choice of either an RF connector or a feedthrough connection for the DC input port.

| FREQUENCY RANGE (MHZ) | ISOLATION (DB) MIN. | INSERTION LOSS (DB) MAX. | CURRENT (MA) MAX. ¹ | VSWR MAX. | P/N |
|-----------------------|---------------------|--------------------------|--------------------------------|-----------|---------------------|
| 50-800 | 25 | 0.6 | 6000 | 1.20:1 | BT-10-E |
| 425-800 | 25 | 0.6 | 8000 | 1.50:1 | BT-11-411 |
| 10-1000 | 25 | 0.5 | 1000 | 1.20:1 | BT-20-** |
| 10-1000 | 25 | 1.0 | 200 | 1.20:1 | BT-01-* |
| 800-1000 | 25 | 0.5 | 1000 | 1.20:1 | BT-08-* |
| 800-1000 | 30 | 0.5 | 5000 | 1.50:1 | BT-21-** |
| 1700-2000 | 30 | 0.5 | 5000 | 1.50:1 | BT-22-** |
| 1700-2000 | 25 | 0.7 | 1000 | 1.20:1 | BT-09-* |
| 500-2500 | 25 | 1.0 | 200 | 1.20:1 | BT-02-* |
| 10-3000 | 25 | 1.8 | 3000 | 1.50:1 | BT-06-411 |
| 500-3000 | 25 | 1.0 | 500 | 1.20:1 | BT-05-* |
| 500-3000 | 30 | 1.8 | 2000 | 1.50:1 | BT-23-** |
| 10-4200 | 25 | 1.2 | 200 | 1.20:1 | BT-03-* |
| 1000-5000 | 35 | 1.0 | 1000 | 1.50:1 | BT-04-** |
| 100-6000 | 30 | 1.5 | 500 | 1.50:1 | BT-07-** |
| 500-10000 | 30 | 1.0 | 200 | 1.50:1 | BT-26-400S/400D*** |
| 5000-12000 | 30 | 0.8 | 250 | 1.50:1 | BT-30-400S/400D*** |
| 10000-12000 | 35 | 1.0 | 200 | 1.50:1 | BT-27-414 |
| 8000-15000 | 35 | 1.0 | 200 | 1.50:1 | BT-28-400S/400D*** |
| 300-18000 | 25 | 1.5 | 500 | 1.60:1 | BT-29-400S/400D*** |
| 0.03-40000 | 40 | 3.0 | 500 | 1.80:1 | BT-50-400S/400D**** |

Custom frequency bands and optimized specifications available.

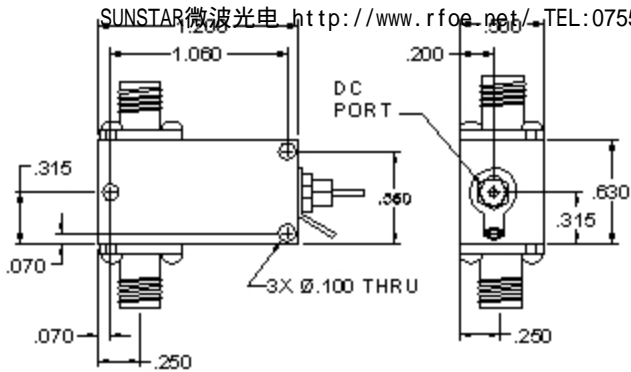
Notes:

- * Available in outline A, E, 410F, 411 & 414 - SMA connectors standard, others available.
- ** Available in outline E, 410F, 411 & 414 - SMA connectors standard, others available.
- *** Select bias configuration: S for SMA, D for feedthru.
- **** 2.92 mm connectors are used on models BT-50-400S and BT-50-400D
- ¹ Higher current and isolation requirements available.

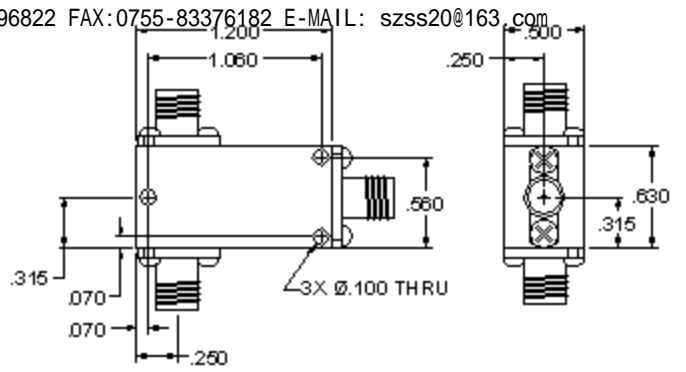
Voltage for standard models is 50 volts.

PIN-OUT TABLE

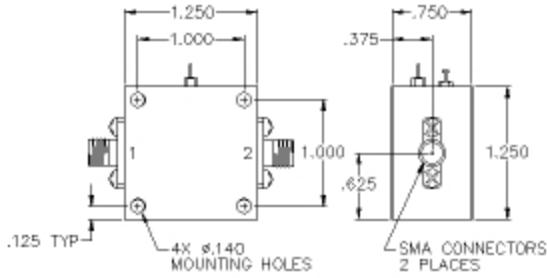
| OUTLINE | RF IN (DC BLOCKED) | RF/DC OUTPUT | DC IN (BIAS) | GROUND |
|---------|--------------------|--------------|----------------|---------|
| 410F | 1 | 2 | Feed Thru Pins | Housing |
| 411 | 1 | 3 | 2 | Housing |
| 414 | 1 | 3 | 2 | Housing |
| A | 1 | 3 | 2 | - |
| E | 5 | 1 | 4 | - |



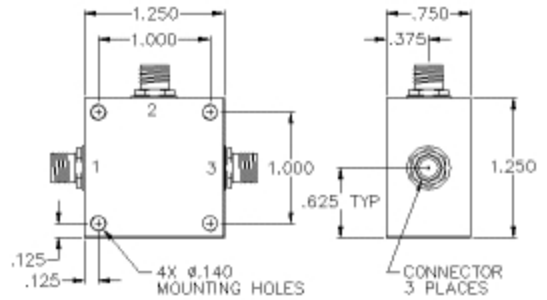
Outline 400D



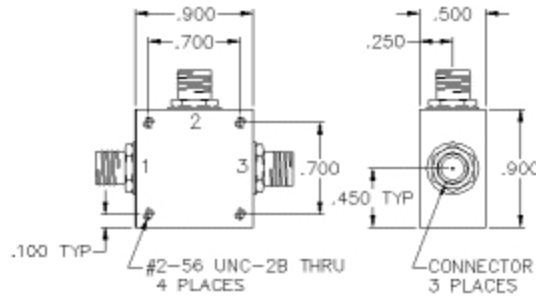
Outline 400S



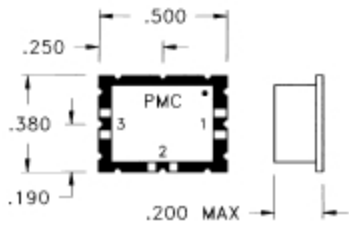
Outline 410F



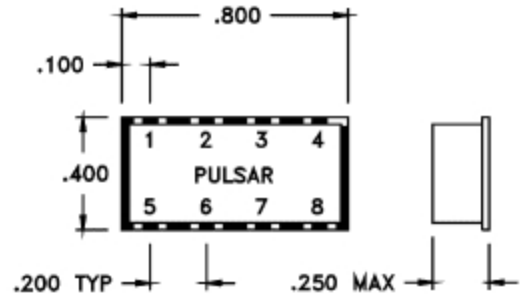
Outline 411



Outline 414



Outline A



Outline E

