



Tel: + 972 (0) 462 63891 Fax: + 972 (0) 4626 3715
 E-mail: rfq@time.co.il URL: http://www.time.co.il

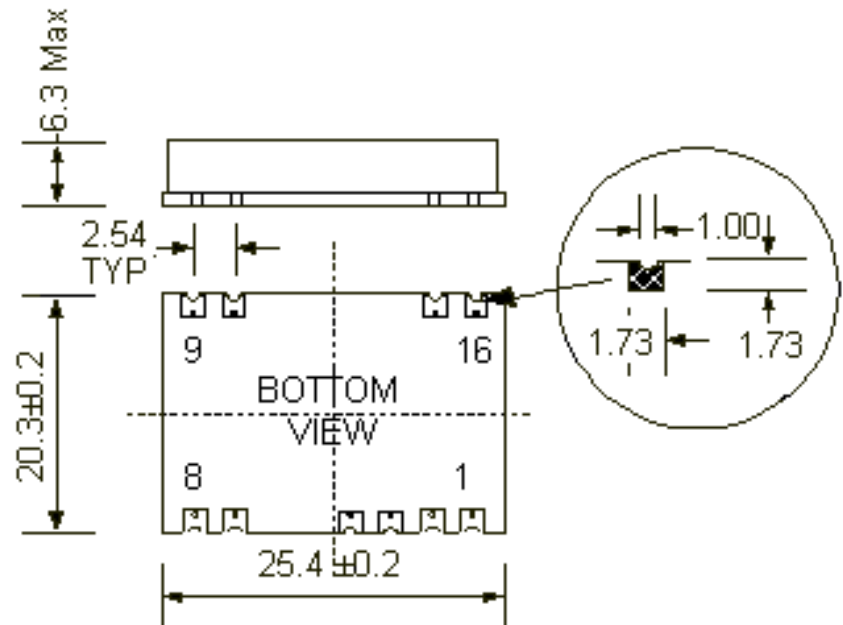
FCXO's (Frequency Controlled Crystal Oscillators)

MODEL	FC61	FC84
OUTPUT FREQUENCY (Fout) RANGE	10.00 MHz to 2500 MHz	
INPUT FREQUENCY (Fin) RANGE	10.00 MHz to 100.00 MHz	
FOUT = (M/N) X FIN : OUTPUT FREQUENCY (FOUT) STABILITY IS CONTROLLED BY THE INPUT FREQUENCY (FIN) STABILITY		
OPERATING TEMP' RANGE	-10°C to +70°C or -40°C to +85°C	
OUTPUT WAVEFORM	See "How - To - Order" instructions	
START UP TIME	10 mSec Max.	
LOCK TIME	10 Sec Max.	
SUPPLY VOLTAGE	See "How - To - Order" instructions	
OUTPUT SUPPLY CURRENT	25 mA for Fout < 20 MHz, CMOS 50 mA for 20.00 MHz < Fout < 75.00 MHz CMOS 75 mA for 75.00 MHz < Fout < 180.00 MHz, LVDS 80 mA for 200.00 MHz < Fout < 750.00 MHz, PECL 80 mA for 750.00 MHz < Fout < 2500.00 MHz, SINUS	
VCXO CONTROL VOLTAGE OUTPUT	0.2Vcc to 0.8Vcc	
LOCK DETECTOR OUTPUT	"H"=Locked , "L"=Unlocked	
SMD PACKAGE	25.4 x 22.0 x 5.0 mm. 8 pads	25.4 x 22.0 x 7.0 mm. 7 pads

Environmental Conditions	
SHOCK	IEC 68-2-27 (Test Ea) 30G, 18 mSec, Half Sine
VIBRATION	IEC 68-2-6 (Test Fc), 0.35mm, 5G, 10-2000Hz, 6 cycles/ axis (Fig.2, Table V)
THERMAL SHOCK	IEC 68-2-14 (Test Na), 30 min. in each extreme temperature
SOLDERING HEAT	235°C ±5°C for 10 Sec. Max. Solder melting point: 217°C

FC61

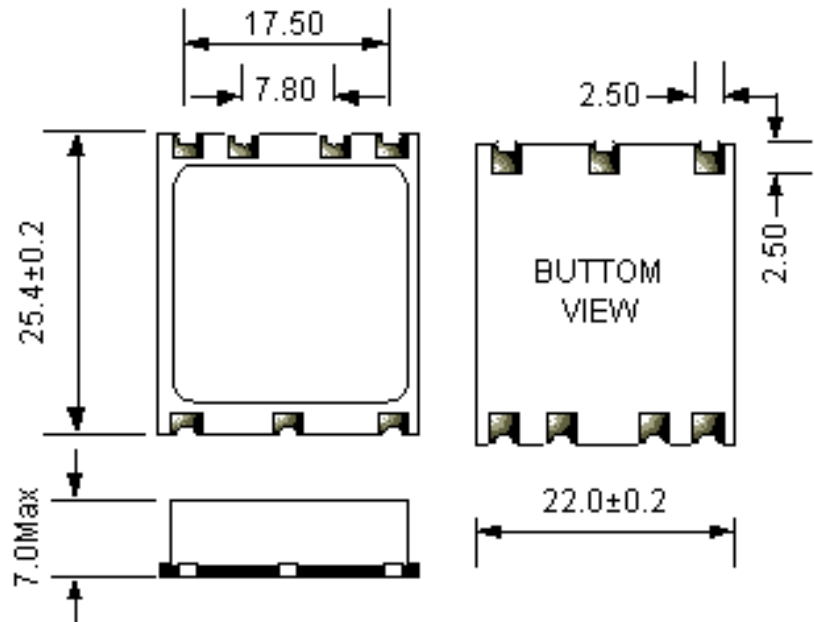
Pin	Function
1	F. in
2	GND
3	LD
4	Uc
7	GND
8	E/D
9	F. out
15	GND
16	Vcc



Dimensions in mm.

FC84

Pin	Function
1	+Vcc
2	F. in (Ref.)
3	GND
4	F. out
5	GND
6	LD
7	Uc



Dimensions in mm.

[FCXO's \(Frequency Controlled Crystal Oscillators\)](#) [to top](#)