



SURFTRIM® SAPPHIRE

5.2 x 4.3 x 3.2 mm Surface Mount

Split Stator - Sealed Construction

FEATURES

- O-ring seal—suitable for cleaning by conventional cleaning methods using liquid solvents and water-based cleaners.
- Designed for reflow and flow soldering.
- Resistant to solder flux and solder baths.
- Available in carrier and reel packaging.

SPECIFICATIONS

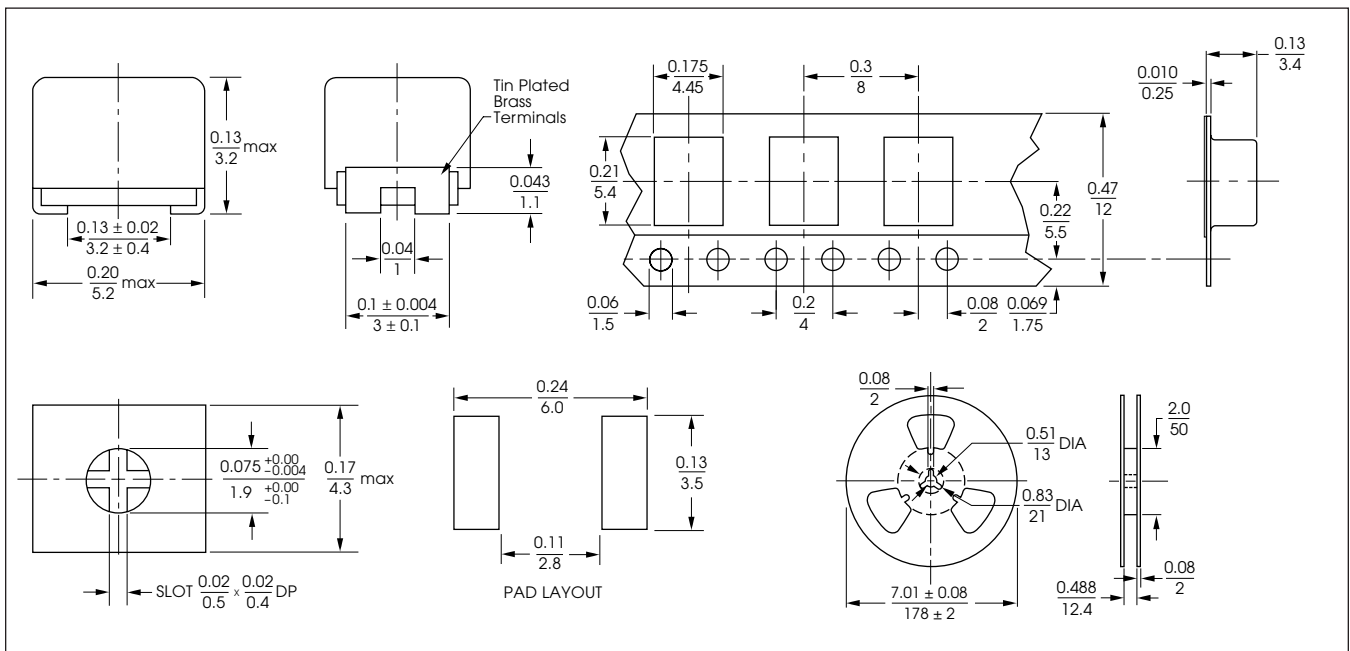
Operating Temperature Range: -40°C to 85°C
 Voltage Rating: 65 VDC
 Dielectric Withstanding Voltage: 130 VDC
 Insulation Resistance: 10⁴ Megohms min
 Torque: 15 to 100 g-cm (0.2 to 1.39 oz-in)
 Axial Load: 200 g max (7 oz)



Capacitance (pF)		TCC (ppm / °C)	Q min* (100 MHz)	Bulk Pack Model No.	Carrier and Reel Pack Model No.
min*	max				
0.5	2.0	0 ± 200	1000	GPY2R000	GPY2R066
0.6	4.0	0 ± 250	800	GPY4R000	GPY4R066
0.6	6.0	0 ± 250	300	GPY6R000	GPY6R066
0.8	8.0	0 ± 250	250	GPY8R000	GPY8R066

* Re-rated in 1998

700 pieces per reel



All dimensions are in /mm.
 Unless otherwise specified, the tolerance on all dimensions is ±0.004 / 0.1.