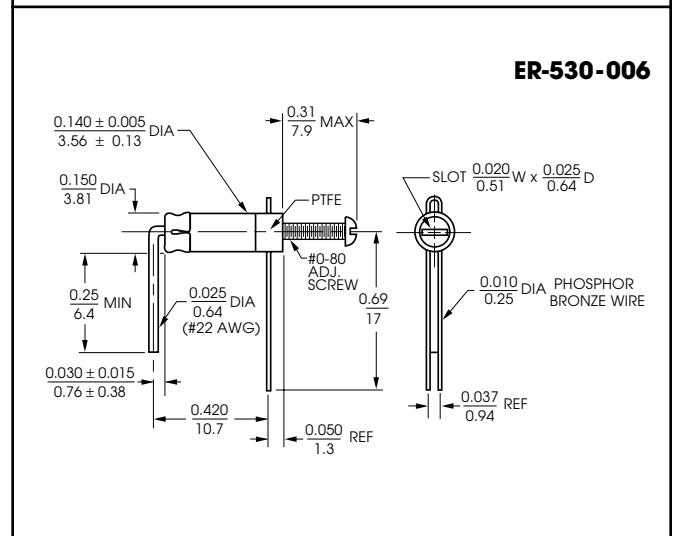
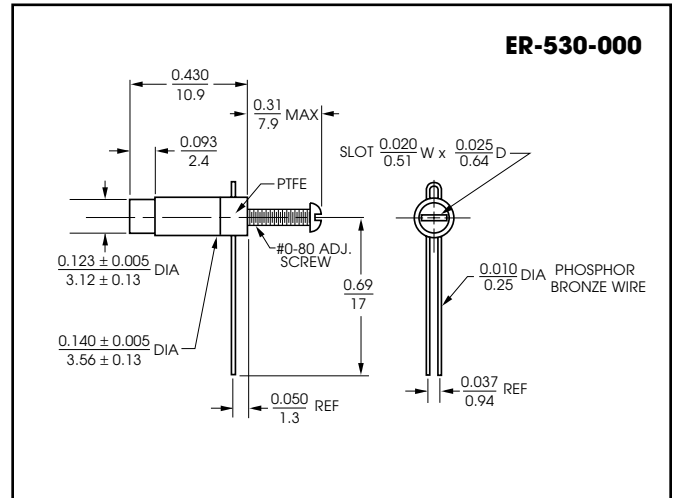
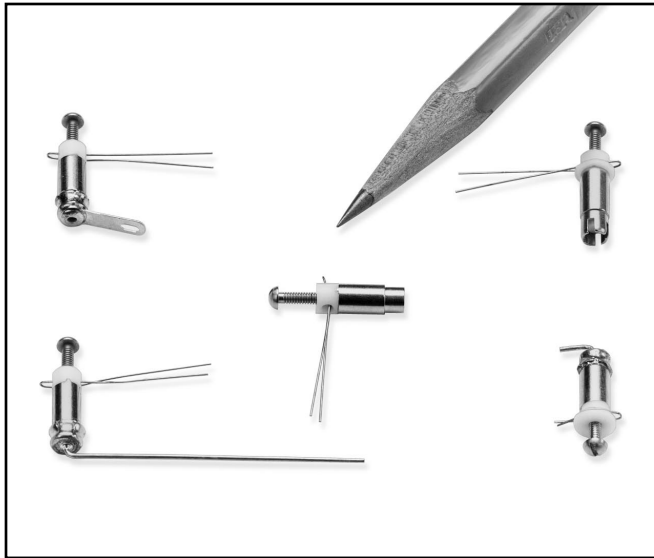


ENGINEERING BULLETIN
SG-401D.1
 Supercedes SG-401C

Sprague-Goodman

MULTITURN PTFE DIELECTRIC TRIMMER CAPACITORS



FEATURES

These trimmer capacitors combine the outstanding electrical properties of PTFE with nonferrous metal parts to provide:

- High Q
- High DWV
- High IR
- Excellent Conductivity
- Corrosion Resistance
- Low ΔC /Turn Ratio
- Excellent Stability

SPECIFICATIONS

Capacitance Range 0.25 to 1.5 pF
 Rated Voltage at 25°C:
 ER-530-000, -006, -016 1250 VDC
 ER-530-021 1700 VDC
 Dielectric Withstanding Voltage at 25°C:
 ER-530-000, -006, -016 2500 VDC
 ER-530-021 3400 VDC
 Operating Temperature Range -55° to +125°C
 Q min at 1 MHz 2000
 Insulation Resistance 1 teraohm at 25°C
 TCC 50 ± 50 ppm/°C
 Torque 0.2 to 3.0 oz-in (14.4 to 216 g-cm)

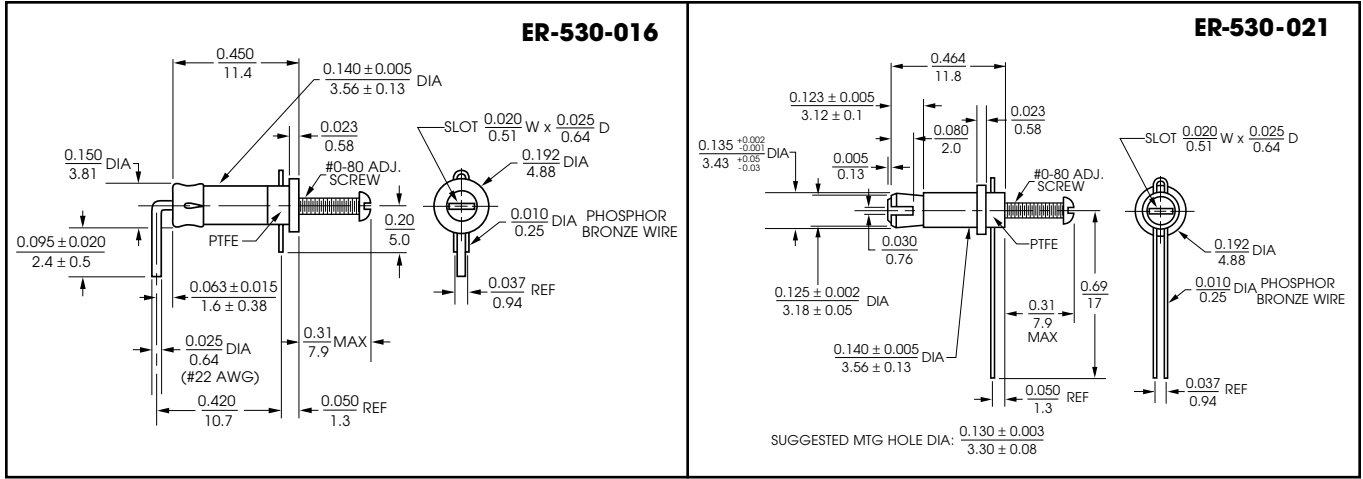
All dimensions are in / mm.

Tolerance is ± 0.005/0.13 for dimensions of 0.110/2.79 or less, and ± 0.031/0.79 for dimensions greater than 0.110/2.79, unless otherwise specified.



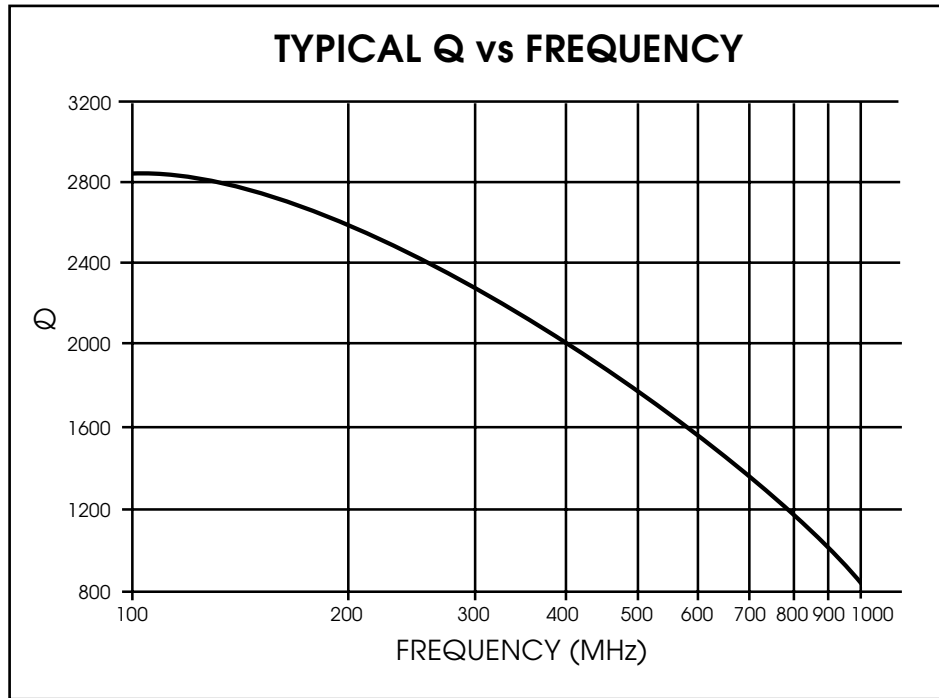
MULTITURN PTFE DIELECTRIC TRIMMER CAPACITORS

SG-401D.1



All dimensions are in /mm.

Tolerance is $\pm 0.005/0.13$ for dimensions of $0.110/2.79$ or less, and $\pm 0.031/0.79$ for dimensions greater than $0.110/2.79$, unless otherwise specified.



Sprague-Goodman Electronics, Inc.

1700 SHAMES DRIVE, WESTBURY, NY 11590
 TEL: 516-334-8700 • FAX: 516-334-8771
 E-MAIL: info@spraguegoodman.com