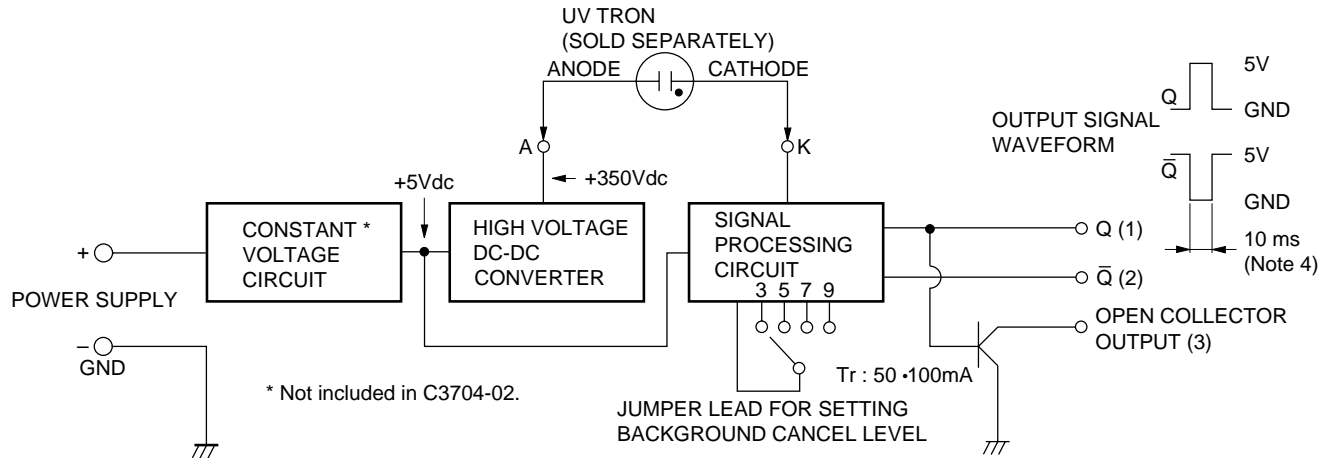


R2868 称为火焰发现者.在火星产生瞬间能够准确地发现, 并且对非可见光的高传输的电晕现象可以完全解除. Hamamatsu R2868 是利用紫外线 TRON 通过金属的光电效果和瓦斯乘法效果来发现火星源. 它可以探测 185 到 260 个不同的狭窄光谱敏感源.它对可见光完全没有感应,也不需要过滤器任何可见光(不像半导体探测器). 它具有很小的体积和很宽敏感角度(择向性),并能快速准确地发现从火焰被发出的弱紫外线.(能够探测 5 m 或在稍远处发现香烟点大小的火焰.)

UV TRON® DRIVING CIRCUIT C3704 SERIES

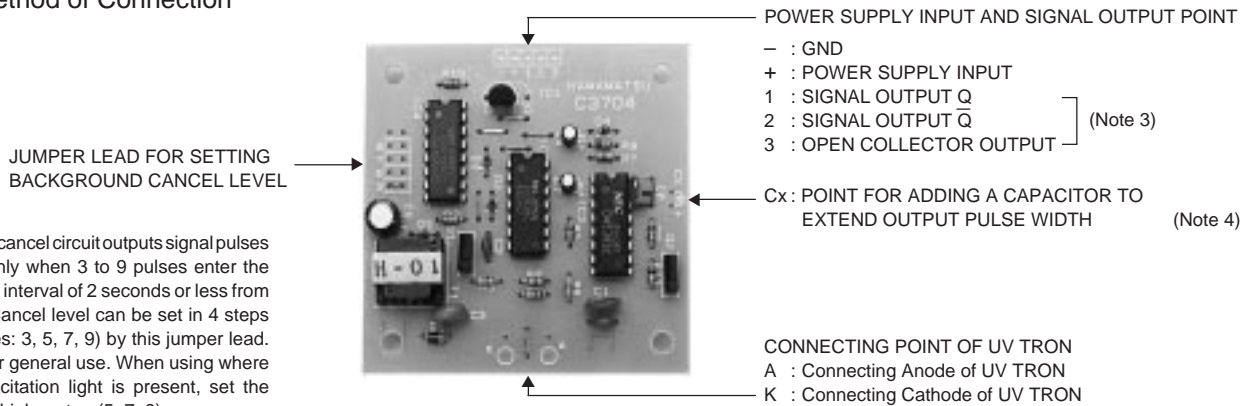
商斯达传感与控制精工制造 <http://www.sensor-ic.com/> TEL:0755-83376549 FAX:0755-83376182 E-MAIL:szsss20@163.com

Figure 2: Schematic Diagram



TPT C0004EA

Figure 3: Method of Connection



This background cancel circuit outputs signal pulses of 10ms width only when 3 to 9 pulses enter the circuit with a time interval of 2 seconds or less from the UV TRON. Cancel level can be set in 4 steps (number of pulses: 3, 5, 7, 9) by this jumper lead. Connect to "3" for general use. When using where much natural excitation light is present, set the cancel level at a higher step (5, 7, 9).

Note 3: No load can be driven by an output from points "1" and "2" because these signals are output from the only C-MOS IC directly. When a load such as a buzzer and a relay is connected to this circuit, it should be connected to the point open collector output. The transistor ratings of the open collector is 50V, 100mA. Be careful not to exceed the ratings.

Note 4: The output pulse width is set to 10ms at shipping. If the pulse width needs to be extended, add a capacitor to this point. (When using an electrolytic condenser, make sure the polarity is correct.)
e.g. CX = 1 μ F: Pulse Width \approx 1s, CX=10 μ F: Pulse Width \approx 10s

PRECAUTIONS FOR USE

- Since the operation impedance is extremely high, the UV TRON should be connected as close as possible to the circuit board within 5 cm.
- Take care to avoid external noise since a C-MOS IC is used in the circuit. It is recommended that the whole PC board be put in the shield box when it is used.
- To reduce current consumption, oscillating frequency is very low (approx. 20 Hz) in this DC-DC converter. Thus, the output impedance of the high voltage power supply is extremely high. If the surrounding humidity is high, electrical leakage on the PC board surface may lead to a drop in the supply voltage to the UV TRON. This voltage drop may result in lowered detection performance, so a moistureproof material (silicone compound, etc.) should be applied at the connecting point of the UV TRON, etc., if using the unit in a humid environment.

- A model equipped with a flame sensor (R2868) is also available.

HAMAMATSU

HAMAMATSU PHOTONICS K.K., Electron Tube Center

314-5, Shimokanzo, Toyooka-village, Iwata-gun, Shizuoka-ken, 438-0193, Japan, Telephone: (81)539/62-5248, Fax: (81)539/62-2205, Telex: 4225-186HAMAHQ

U.S.A.: Hamamatsu Corporation: 360 Foothill Road, Bridgewater, N.J. 08807-0910, U.S.A., Telephone: (1)908-231-0960, Fax: (1)908-231-1218

Germany: Hamamatsu Photonics Deutschland GmbH: Arzbergerstr. 10, D-82211 Herrsching am Ammersee, Germany, Telephone: (49)8152-375-0, Fax: (49)8152-2658

France: Hamamatsu Photonics France S.A.R.L.: 8, Rue du Saule Trapu, Parc du Moulin de Massy, 91882 Massy Cedex, France, Telephone: (33)1 69 53 71 00, Fax: (33)1 69 53 71 00

United Kingdom: Hamamatsu Photonics UK Limited: Lough Point, 2 Gladbeck Way, Windmill Hill, Enfield, Middlesex EN2 7JA, United Kingdom, Telephone: (44)181-367-6384

North Europe: Hamamatsu Photonics Norden AB: Färögatan 7, S-164-40 Kista, Sweden, Telephone: (46)8-703-29-50, Fax: (46)8-750-58-95

China guangdong Shenzhenshi futiangu fuhualu jujingjie hongtudasha1602shi, Telephone:(86)755-83376549, Fax:(86)755-83376182, 8338339

商斯达自动化研制 <http://www.sensor-ic.com/> TEL: 0755-83376489 FAX: 0755-83376182 E-MAIL: szsss20@163.com

TPT1007E01
JUL.1997 CR
Created in Japan

Precautions Concerning Use

- ▶ The C3704 uses a C-MOS IC. Be very careful about external noise. It is recommended that the entire PC board be placed in a metal case.
- ▶ The DC-DC converter-type high-voltage power supply used in the C3704 has an extremely high output impedance. If the surrounding humidity is high, electrical leakage from the PC board surface may lead to a drop in the supply voltage to the UV TRON. This voltage drop may result in lowered detection performance, so a moistureproof material (silicon compound, etc.) should be applied to the UV TRON contact point if the unit is to be used in a humid environment.
- ▶ If there is oil or another substance on the glass surface of the UV TRON, the permeability of the ultraviolet light is decreased, lowering sensitivity. In this case, clean the surface carefully with a piece of gauze dipped in alcohol to remove any residue.
- ▶ The UV TRON is a precision component made of glass. Be careful to protect it with a buffering material against vibration or impact even after it has been assembled.

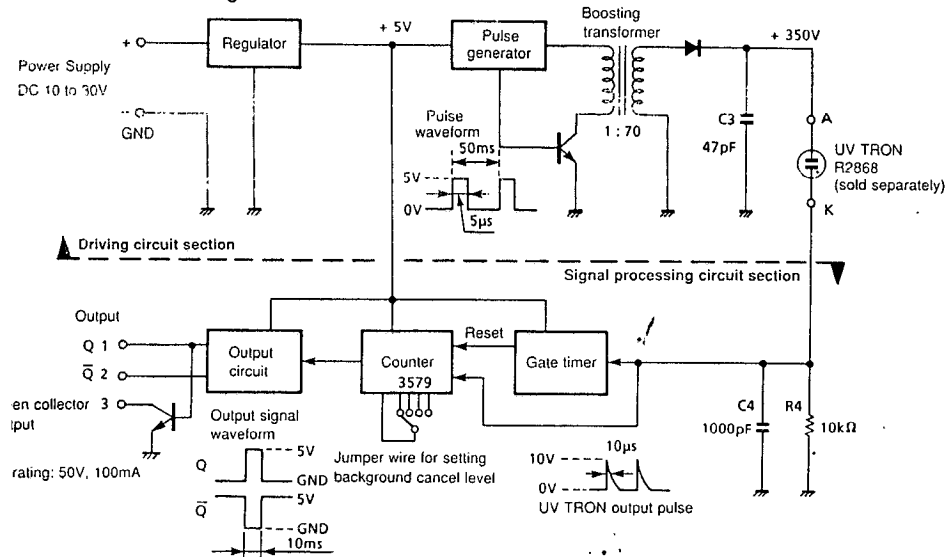
Warranty

The period of warranty is one year after the date of delivery. During this period, if any damage is judged to be the fault of Hamamatsu, the unit will be repaired or replaced at no charge. Damage occurring because of failure to follow the instructions in this manual, or if any unauthorized additions were made to the unit by the user, or damage resulting from natural disasters, will not be covered by this warranty.

After-Service

This unit was manufactured and inspected under the strictest quality conditions. In the rare event that damage should occur, please contact Hamamatsu directly (or arrange direct delivery of the unit to us). At that time, please describe the content of the breakdown or damage in as much detail as possible, and include the information with the product label.

Figure 8: C3704 Circuit Configuration



Information furnished by HAMAMATSU is believed to be reliable. However, no responsibility is assumed for possible inaccuracies or omissions. Specifications are subject to change without notice. No patent rights are granted to any of the circuits described herein.

HAMAMATSU

MATSU PHOTONICS K.K., Electron Tube Division
 5-1-1 Shimokanjo, Toyooka-cho, Iwata-gun, Shizuoka-ken, 438-01 Japan, Telephone: 053962/5248, Fax: 053962/2205, Telex: 4289-625
 Hamamatsu Corporation, 360 Foothill Road, P.O. Box 5910, Bridgewater, N.J. 08807-0910, Telephone: 201-231-0960, Fax: 201-231-1539
 Hamamatsu Photonics Deutschland GmbH, Arzbogenstr. 10, D-4036 Herrsching am Ammersee, Telephone: 08152-375-0, Fax: 08152-2658
 Hamamatsu Photonics UK Limited, Lough Point, 2 Gladbeck Way, Windmill Hill, Enfield, Middlesex EN2 7JA, England, Telephone: 01-367-3560, Fax: 01-367-6384
 Hamamatsu Photonics France, Orlytech - Bat A3, 3 Allée du Commandant-Mouchotte, 91550 Paray Vieille Poste, Telephone: (1) 49 75 56 80, Fax: (1) 49 75 56 87
 Hamamatsu Photonics Norden AB, Kanalvägen 20 6F, 194 61 Uplands Väsby, Sweden, Telephone: 0760/32190, Fax: 0760/94567

UV TRON® DRIVING CIRCUIT C3704 User's Manual

Thank you for purchasing the compact UV TRON driving circuit C3704. Before using your unit, please be sure to read this manual carefully to ensure correct operation.

1. FEATURES

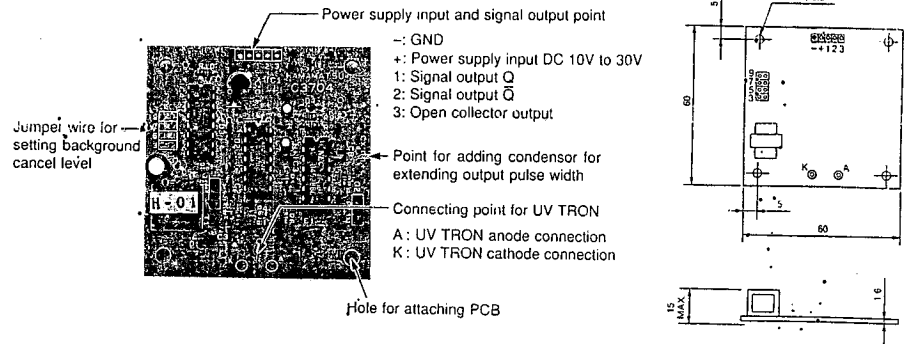
- By connecting the C3704 to a UV TRON (such as the R2868), it can be operated as a high-sensitivity ultraviolet sensor (as a flame detector for lighters, matches, etc. (flame length is about 25mm) at a distance of 5m or more).
- The circuit input stage is supplied with a constant-voltage IC, so that operation is possible over a wide range of power sources, from 10 to 30V.
- Employment of a UV TRON background cancelling circuit ensures error-free operation.

2. APPLICATIONS

- Flame detectors for lighters and matches
- Fire alarms
- Combustion monitors for burners
- Electrical discharge detection

3. EXTERIOR DIMENSIONS

Figure 1: Diagram of Dimensions (unit: mm)



4. SPECIFICATIONS

Dimensions	60 (W) x 60 (D) x 15 (H) mm
Weight	Approx. 20g
Input voltage	DC 10 to 30V
Current consumption	3mA typical (with DC 24V power source)
Signal output	Open collector output (30V, 100mA max.) 10ms pulse width (Note 1)
UV TRON applied voltage	DC 350V (Note 2)
Operating temperature range	-10 to +50°C (with no condensation)
Applicable UV TRONs	Types with discharge starting voltage of 300V or less (R2868, R1753-01, R259, etc.)

Note 1: By adding a condenser to the PCB, the output pulse width can be extended up to about 100 seconds. Refer to 6..Operation.

Note 2: Since the output impedance of the power source is extremely high, the voltage cannot be measured with an ordinary voltmeter. Use a measuring device with an input impedance of 10GΩ or more.

CONNECTIONS

1) Connecting the UV TRON

As shown in Figure 2, the UV TRON should either be soldered directly to the circuit board, or connected with a short lead wire of 5cm or less.

CAUTION

The UV TRON is a precision component made of glass. Be careful not to drop it or subject it to sharp impact, as this may cause a deterioration of its performance. Handle it very carefully.

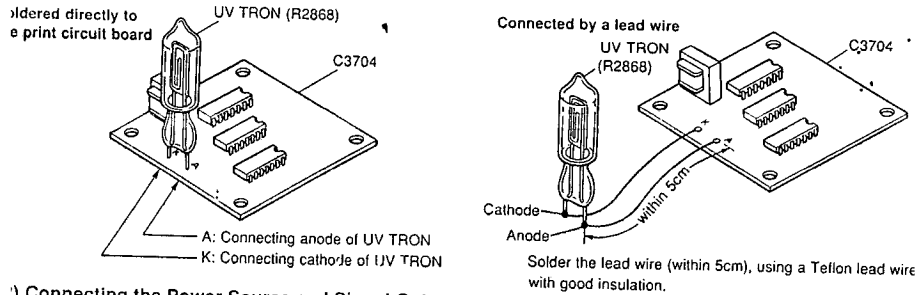
The UV TRON is a bipolar phototube. Be sure to connect it correctly, referring to the data sheet. Incorrect or reversed connections may lead to erroneous operation.

Soldering should be done quickly within 5 seconds, at 300°C or below. If too much heat is applied to the lead wire, the glass may crack, leading to deterioration of performance.

After soldering, excessive flux should be removed with alcohol. If any dirt or flux remains, humidity may cause an electrical leak, resulting in a voltage drop to the UV TRON. This could cause a decrease in sensitivity and a loss of operation.

It should be noted that the glass may be broken if the UV TRON lead wire is installed with too much force. When bending the lead wire, fix the end of the wire on the glass side with pliers to prevent force from being applied onto the glass.

Figure 2: Connecting the UV TRON



2) Connecting the Power Source and Signal Output

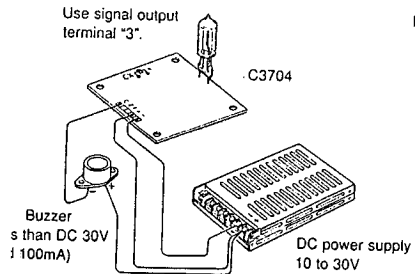
Refer to figure 3, 4 or 5, depending on your purpose, for connecting the power source and signal output.

CAUTION

It is very important not to reverse the + and - terminals of the power source. If they are connected in reverse, the IC in the circuit may be damaged, making operation impossible.

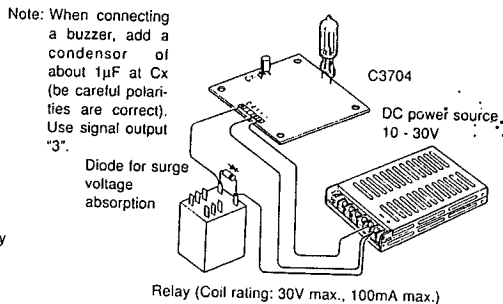
Signal outputs 1 and 2 are output directly by the C-MOS IC. If the GND and power source are accidentally shorted, the IC in the circuit may be damaged, making operation impossible.

Figure 3: When Connecting a Buzzer



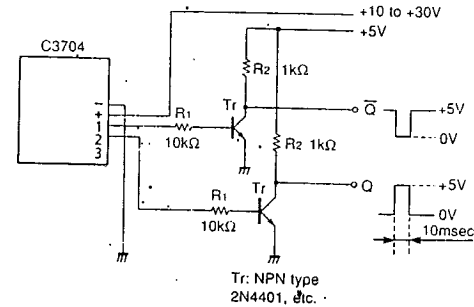
buzzer sounds when ultraviolet light enters the unit. length of time for which the buzzer sounds can be extended by adding a condenser at Cx on the PCB. See Figure 6.)

Figure 4: When Connecting a Relay



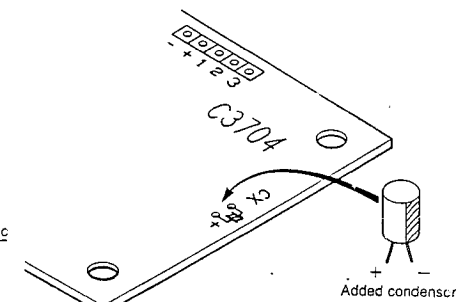
Note: No surge voltage protector circuit is added to the output transistor of the C3704. When connecting an inductive charge such as a relay, connect a surge voltage absorption diode to both ends of the relay coil, as shown in the illustration. (Be careful not to reverse the polarities.)

Figure 5: Connecting a TTL IC



Note: Q and Q-bar are reversed when the Tr is introduced.

Figure 6: Adding a Condenser to Extend the Output Pulse Width



Note: Electrolytic condensers are bipolar. When attaching this kind of condenser, connect the + side of the condenser to the + mark on the PCB.

6. Operation

Operation of the C3704 will be explained assuming the UV TRON is an R2868. When another UV TRON is used, operation is basically the same, but since the sensitivity level differs depending on the UV TRON used, detection times may vary also. For details, please refer to the data sheet.

Operation is explained in the order shown on the Time Chart in Figure 7.

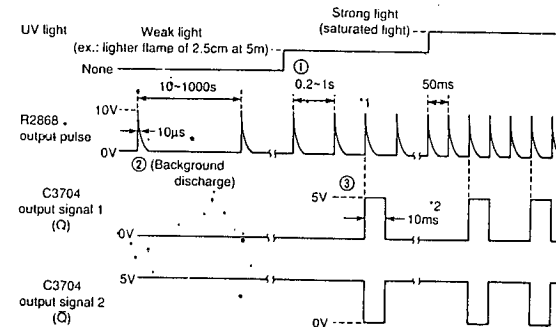
- ① If ultraviolet light is introduced into the UV TRON, a pulse width of 10µs is output. The generated frequency of this signal pulse varies depending on the amount of incident ultraviolet light.
- ② Also, when no ultraviolet light is present, sporadic pulses ranging from several times to several tens of times per hour are generated by cosmic rays, static electricity, etc. This is called background (BG).
- ③ The pulse waveforms of the signal and the BG are exactly the same, making it impossible to differentiate between them. Because of this, the generated frequency of the pulse is carefully observed to distinguish the signal from the BG, and the BG only is cancelled. (If the signal pulse of the UV TRON is directly output, erroneous operation may result, depending on the BG. It is necessary to have a means of differentiating the BG from the signal of the incident ultraviolet light, to extract only the signal.)

The BG cancel circuit of the C3704 outputs signal pulses of 10ms width only when three consecutive pulses (*1) enter the circuit with a time interval of 2 seconds or less from the UV TRON.

*1: The number of pulses can be specified in four stages, 3, 5, 7, and 9, by means of a jumper wire on the circuit board. This is set to "3" at the time of shipping, but if there is too much background, the cancel background can be set to a higher level (5, 7, 9).

*2: The pulse width can be extended by adding a condenser to the Cx terminal on the circuit board. See Figure 6. (For example: Cx = 1µF Pulse width = approx. 1 second, Cx = 10µF Pulse width = approx. 10 seconds)

Figure 7: Operation Time Chart for the C3704 and R2868



For more detailed information regarding the UV TRON, please feel free to request the technical data sheets and catalogs available from Hamamatsu.

欢迎索取免费详细资料、设计选型指南和光盘、样品；产品繁多未能尽录，欢迎来电查询。

[中国传感器科技信息网：HTTP://WWW.SENSOR-IC.COM/](http://WWW.SENSOR-IC.COM/)

[工控安防网：HTTP://WWW.PC-PS.NET/](http://WWW.PC-PS.NET/)

[消费电子专用电路网：HTTP://WWW.SUNSTARE.COM/](http://WWW.SUNSTARE.COM/)

E-MAIL：xjr5@163.com szss20@163.com

MSN：suns8888@hotmail.com

QQ：195847376

地址：深圳市福田区福华路福庆街鸿图大厦 1602 室

电话：0755-83376549 83376489 83387030 83387016

传真：0755-83376182 83338339 邮编：518033 手机：(0)13902971329

深圳展销部：深圳华强北路赛格电子市场 2583 号 TEL/FAX：
0755-83665529 25059422

北京分公司：北京海淀区知春路 132 号中发电子大厦 3097 号

TEL：010-81159046 82615020 13501189838 FAX：010-82613476

上海分公司：上海市北京东路 668 号上海赛格电子市场 2B35 号

TEL：021-28311762 56703037 13701955389 FAX：021-56703037

西安分公司：西安高新开发区 20 所(中国电子科技集团导航技术研究所)
西安劳动南路 88 号电子商城二楼 D23 号

TEL：029-81022619 13072977981 FAX:029-88789382

成都：TEL:(0)13717066236

技术支持：0755-83394033 13501568376

SUNSTAR商斯达实业集团是集研发、生产、工程、销售、代理经销、技术咨询、信息服务等为一体的高科技企业，是专业高科技电子产品生产厂家，是具有10多年历史的专业电子元器件供应商，是中国最早和最大的仓储式连锁规模经营大型综合电子零部件代理分销商之一，是一家专业代理和分销世界各大品牌IC芯片和电子元器件的连锁经营综合性国际公司。在香港、北京、深圳、上海、西安、成都等全国主要电子市场设有直属分公司和产品展示展销窗口门市部专卖店及代理分销商，已在全国范围内建成强大统一的供货和代理分销网络。我们专业代理经销、开发生产电子元器件、集成电路、传感器、微波光电元器件、工控机/DOC/DOM电子盘、专用电路、单片机开发、MCU/DSP/ARM/FPGA软件硬件、二极管、三极管、模块等，是您可靠的一站式现货配套供应商、方案提供商、部件功能模块开发配套商。专业以现代信息产业（计算机、通讯及传感器）三大支柱之一的传感器为主营业务，专业经营各类传感器的代理、销售生产、网络信息、科技图书资料及配套产品设计、工程开发。我们的专业网站——中国传感器科技信息网（全球传感器数据库）www.SENSOR-IC.COM 服务于全球高科技生产商及贸易商，为企业科技产品开发提供技术交流平台。欢迎各厂商互通有无、交换信息、交换链接、发布寻求代理信息。欢迎国外高科技传感器、变送器、执行器、自动控制产品厂商介绍产品到中国，共同开拓市场。本网站是关于各种传感器-变送器-仪器仪表及工业自动化大型专业网站，深入到工业控制、系统工程计 测量、自动化、安防报警、消费电子等众多领域，把最新的传感器-变送器-仪器仪表买卖信息，最新技术供求，最新采购商，行业动态，发展方向，最新的技术应用和市场资讯及时的传递给广大科技开发、科学研究、产品设计人员。本网站已成功为石油、化工、电力、医药、生物、航空、航天、国防、能源、冶金、电子、工业、农业、交通、汽车、矿山、煤炭、纺织、信息、通信、IT、安防、环保、印刷、科研、气象、仪器仪表等领域从事科学研究、产品设计、开发、生产制造的科技人员、管理人员、和采购人员提供满意服务。我们公司专业生产、代理、经销、销售各种传感器、变送器、敏感元器件、开关、执行器、仪器仪表、自动化控制系统：专业从事设计、生产、销售各种传感器、变送器、各种测控仪表、热工仪表、现场控制器、计算机控制系统、数据采集系统、各类环境监控系统、专用控制系统应用软件以及嵌入式系统开发及应用等工作。如热敏电阻、压敏电阻、温度传感器、温度变送器、湿度传感器、湿度变送器、气体传感器、气体变送器、压力传感器、压力变送、称重传感器、物（液）位传感器、物（液）位变送器、流量传感器、流量变送器、电流（压）传感器、溶氧传感器、霍尔传感器、图像传感器、超声波传感器、位移传感器、速度传感器、加速度传感器、扭距传感器、红外传感器、紫外传感器、火焰传感器、激光传感器、振动传感器、轴角传感器、光电传感器、接近传感器、干簧管传感器、继电器传感器、微型电泵、磁敏（阻）传感器、压力开关、接近开关、光电开关、色标传感器、光纤传感器、齿轮测速传感器、时间继电器、计数器、计米器、温控仪、固态继电器、调压模块、电磁铁、电压表、电流表等特殊传感器。同时承接传感器应用电路、产品设计和自动化工程项目。

更多产品请看本公司产品专用销售网站：

商斯达中国传感器科技信息网：<http://www.sensor-ic.com/>

商斯达工控安防网：<http://www.pc-ps.net/>

商斯达电子元器件网：<http://www.sunstare.com/>

商斯达微波光电产品网：[HTTP://www.rfoe.net/](http://www.rfoe.net/)

商斯达消费电子产品网：<http://www.icasic.com/>

商斯达军工产品网：<http://www.junpinic.com/>

商斯达实业科技产品网：<http://www.sunstars.cn/> 传感器销售热线：

地址：深圳市福田区福华路福庆街鸿图大厦1602室

电话：0755-83607652 83376489 83376549 83370250 83370251 82500323

传真：0755-83376182 (0) 13902971329 MSN: SUNS888@hotmail.com

邮编：518033 E-mail: szss20@163.com QQ: 195847376

深圳赛格展销部：深圳华强北路赛格电子市场2583号 电话：0755-83665529 25059422

技术支持：0755-83394033 13501568376

欢迎索取免费详细资料、设计指南和光盘；产品凡多，未能尽录，欢迎来电查询。

北京分公司：北京海淀区知春路132号中发电子大厦3097号

TEL: 010-81159046 82615020 13501189838 FAX: 010-62543996

上海分公司：上海市北京东路668号上海赛格电子市场D125号

TEL: 021-28311762 56703037 13701955389 FAX: 021-56703037

西安分公司：西安高新开发区20所(中国电子科技集团导航技术研究所)

西安劳动南路88号电子商城二楼D23号

TEL: 029-81022619 13072977981 FAX:029-88789382