

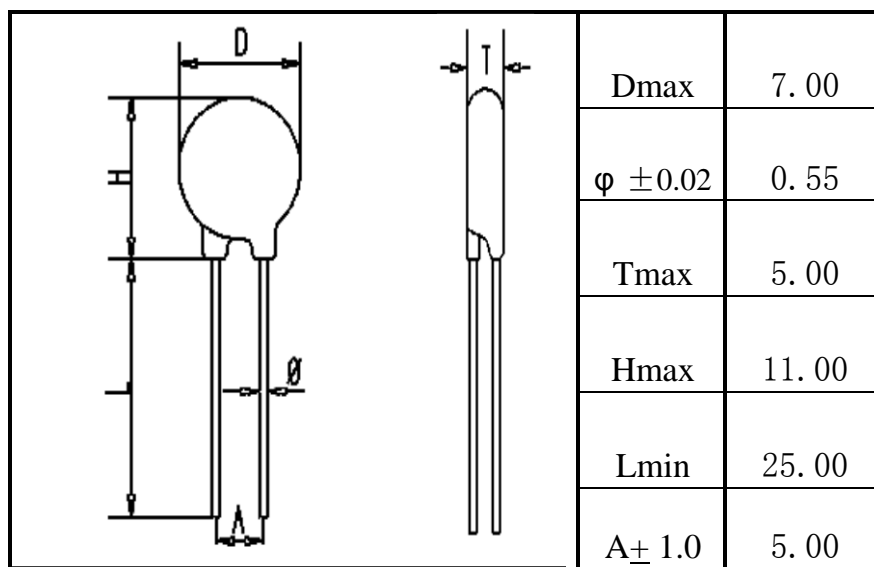
压敏电阻技术指标

VARISTORS TECHNICAL SPECIFICATION

客户承认章APPROVED BY

DATE:

单位Unit:mm



型号规格 Part No.	压敏电压 Varistor Voltage V_{1mA} (V)	最大允许使用电压 Maximum Allowable Voltage		限制电压最大值 Maximum Clamping Voltage Vc 5A	通流容量 8/20uS Withstanding Surge Current		能量耐量 Energy		静态功率 Rated Dissipation W	静态电容量 (参考数) Typical Capacitance (1kHz) pF
		AC (V)	DC (V)		1times (A)	2times (A)	10/1000 μs (J)	2ms (J)		
HEL5D390K	35-43	25	31	86	100	50	0.9	0.8	0.01	1000