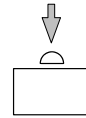


C2A...

Load cell



Max. capacities:
1t ... 10t

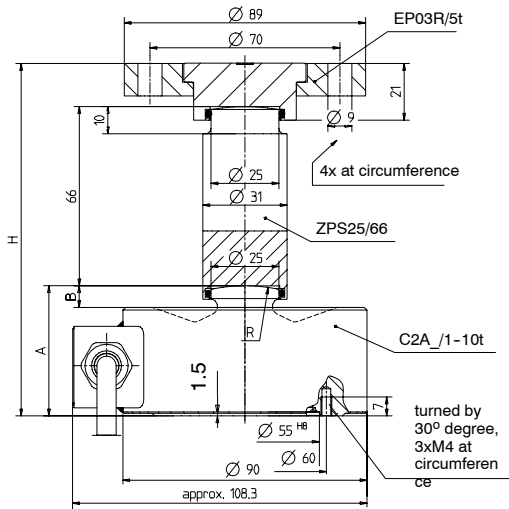


Special features

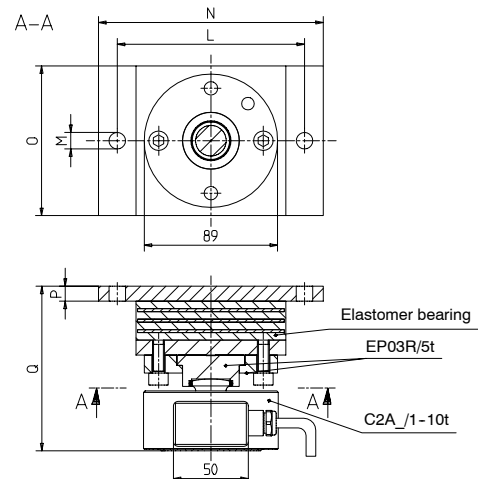
- Load cell and mounting aids made from stainless steel
- Low profile
- Complies with OIML R60 regulations for up to 4000 verification intervals
- Six-wire circuit
- Available Option:
 - Ex-schutz EEx ib IIC T4
 - Ex-schutz EEx d IIC T6

Dimensions (in mm; 1mm=0.03937 inches)

C2A /1..10t, pendle bearing ZPS and pendle support EPO3R



C2A /1..10t, elastomer bearing ZELB and pendle support EPO3R



Nominal load	A	B	R	Pendle bearing	H	S _{max} (mm)	F _R (%o.load)	Elastomer bearing	L	M	N	O	P	Q	S _{max} (mm)	F _R (N)
1t, 2t	48	10	30, 50	ZPS25/66	130	± 5	1; 1.5	ZELB/2t	100	9	120	60	10	103	± 4.5	400
5t	48	8	60	ZPS25/66	130	± 5	1.7	ZELB/5t	125	11	150	100	10	110	± 8	620
10t	53	8	80	ZPS25/66	135	± 5	2.2	ZELB/10t	175	13	200	100	12	124	± 9.5	810

F_R: Restoring force for 1mm sideways displacement

S_{max}: Max. sideways displacement at load nominal

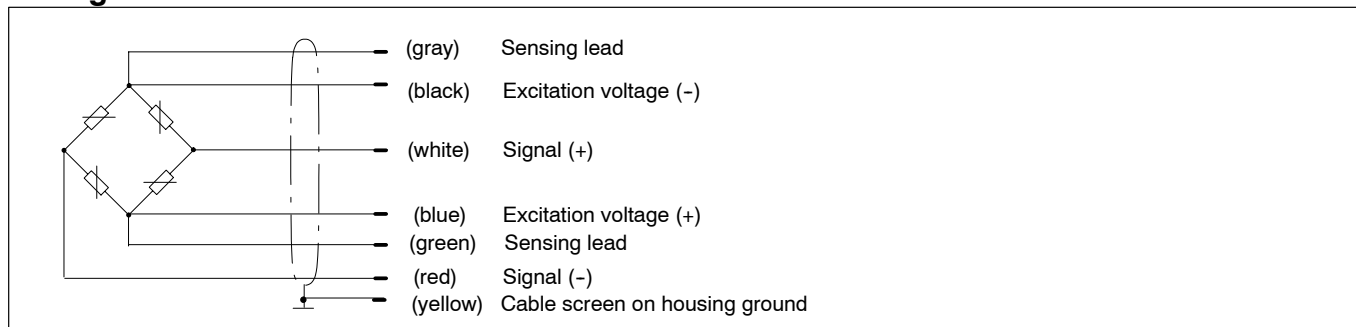
Technical Data

Type		C2AD1	C2AC3
Accuracy class to OIML R60		D1	C3
Max. number of load cell intervals (n_{LC})		1000	3000
Rated capacity (E_{max})	t	1, 2, 5, 10	
Min. load cell verification interval (v_{min})	% of C_n	0.0286	0.0100
Sensitivity (C_n)	mV/V	2	
Tolerance on sensitivity	%	<±0.1000	<±0.0500
Temperature effect on sensitivity (TK_C) ¹⁾	% of $C_n/10K$	<±0.0500	<±0.0080
Temperature effect on zero signal (TK_0)	% of $C_n/10K$	< ±0.0400	< ±0.0140
Hysteresis ¹⁾	%	< ±0.0500	< ±0.0180
Non-linearity (d_{lin}) ¹⁾	%	< ±0.0500	< ±0.0170
Creep (d_{DR}) in 30 min	%	< ±0.0500	< ±0.0167
Input resistance (R_{LC}) (black-blue)	Ω	350...450	
Output resistance (R_0) (red-white)	Ω	356±1.5	356±0.12
Reference excitation volt. (U_{ref})	V	5	
Nom. range of excitation volt. (B_U)	V	0.5...12	
Isolation Resistance (R_{is})	GΩ	>5	
Nominal temperature range (B_T)	°C [°F]	-10...+40 [+15...105]	
Service temperature range (B_{tu})	°C [°F]	-30...+70 [-20...+160]	
Storage temperature range (B_{tl})	°C [°F]	-50...+85 [-60...+185]	
Save load limit (E_L)	% of C_n	150	
Breaking load (E_d)	% of C_n	300	
Side load limit (E_{iq})	% of C_n	50	
Permissible dynamic load (F_{srel}) (Vibration amplitude to DIN 50100)	% of C_n	100 ²⁾	
Deflection at max. capacity, (s_{nom}) approx. (± 15%)	mm	0.15; 0.15; 0.17; 0.2	
Weight (G), approx.	kg	1.7; 1.8; 1.8; 1.8	
Protection class (IP) to EN 60529 (IEC529)		IP 67 (Test conditions:100h at 1m water column)	
Materials Measuring body Cable gland Cable sheath		Rust resistant Nickel plated brass Silicone	

1) The temperature coefficient of sensitivity, the hysteresis and the non-linearity are matched to comply with OIML R60 accuracy requirements for the respective scale deviation.

2) 70% at C2A../10t-type.

Wiring code



Accessories (not included in scope of supply): ZPS Pendle bearing EPO3R Pendle support - upper part and ZELB Elastomer bearing.



Modifications reserved.
All details describe our products in general form. They are not to be understood as express warranty and do not constitute any liability whatsoever.