



**ROITHNER LASERTECHNIK GmbH**

WIEDNER HAUPTSTRASSE 76 I040 VIENNA AUSTRIA  
TEL. +43 1 586 52 43 -0. FAX. -44. OFFICE@ROITHNER-LASER.COM



# GUVC-T10GD



## TECHNICAL DATA

### UV-A Sensor

#### Features

- Aluminium Gallium Nitride Based Material
- Schottky-type Photodiode
- Photovoltaic Mode Operation
- Good Visible Blindness

#### Applications

- Pure UV-C Monitoring
- Sterilization Lamp Monitoring

#### Absolute Maximum Ratings

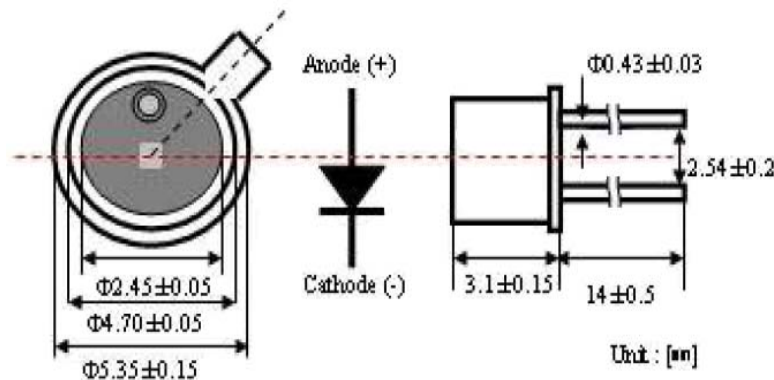
Item	Symbol	Value	Unit
Forward Current	$I_F$	1	mA
Reverse Voltage	$V_R$	3	V
Operating Temperature	$T_{op}$	-30 ... +85	°C
Storage Temperature	$T_{st}$	-40 ... +90	°C
Soldering Temperature *	$T_{sol}$	260	°C

\* must be completed within 10 seconds

#### Characteristics (25°C)

Item	Symbol	Test Conditions	Min.	Typ.	Max.	Unit
Dark Current	$I_D$	$V_R = 0.1 V$	-	-	1	nA
Photo Current	$I_{PD}$	UVC Lamp, 1 mW/cm <sup>2</sup>	-	34	-	nA
Temperature Coefficient	$I_{TC}$	UVC Lamp	-	-0.07	-	% / °C
Responsivity	R	$\lambda = 254 nm, V_R = 0 V$	-	0.06	-	A/W
Spectral Detection Range	$\lambda$	10% of R	210	-	280	nm

#### Package Dimension



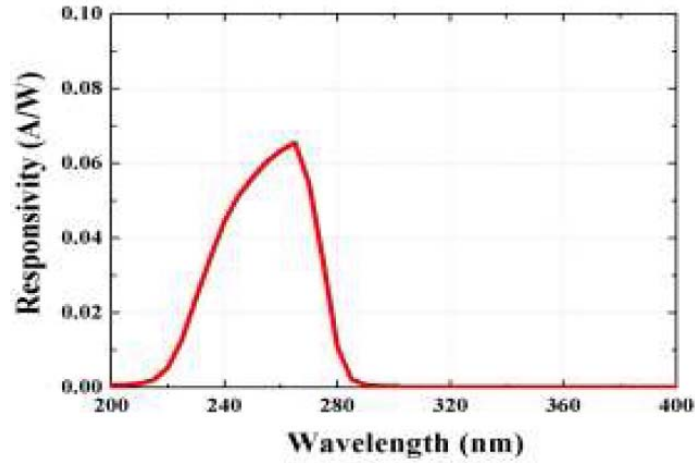


**ROITHNER LASERTECHNIK GmbH**

WIEDNER HAUPTSTRASSE 76      IO40 VIENNA      AUSTRIA  
TEL. +43 I 586 52 43 -0. FAX. -44. OFFICE@ROITHNER-LASER.COM



### Responsivity Curve



### Photocurrent along UV Power

