



MP 30 Digital Weighing Indicator



- 16 bit resolution and up to 20 readings/sec.
- Supply voltage: 85 - 250 V_{AC} 50/60 Hz or 11-36 V_{DC}/24 V_{AC} (option)
- 3 digital control inputs
- Analog output (option): 0/4-20 mA or 0-10 V_{DC}
- Serial interfaces (option): RS 232 or RS 485
- 2 setpoint outputs (option)
- IP 65 sealed front panel
- Manual tare

Technical Data

Protection class

Housing: IP 20
Panel mounted: IP 65

Power supply

85-250 V_{AC} 50/60 Hz
11-36 V_{DC} or 24 V_{AC} (Option)
Max. power consumption: 15 V_A

Display

Bright 5-digit LED display, 14 mm
Status symbols: brutto|gross, net, tare
Setpoint indication

Keypad

5 keys for operation, calibration and configuration

Load cell excitation

Jumper selectable:
5 V_{DC} at 65 mA max. +/-2 %
10 V_{DC} at 125 mA max. +/-2 %
Max. four load cells of 350 Ω
Temperatur coefficient: 20 ppm/K max.

Digital control inputs

3 configurable user inputs (TTL)
Input voltage: max. 30 V_{DC}
Sink or source (aktiv|passiv) selectable
Sink: high Vin < 0.7 V_{DC}, low Vin > 2.5 V_{DC}
Source: high Vin > 2.5 V_{DC}, low Vin < 0.7 V_{DC}

Update rates

Step response: 200 msec. max. to within 99 % of final readout value (digital filter and internal zero correction disabled)
700 msec. max. (digital filter disabled, internal zero correction enabled)

Measuring input

| Input Range | Accuracy (18 to 28°C) | Accuracy (0 to 50°C) | Impedance | max. Continuous Overload | Resolution |
|-----------------------|--------------------------|--------------------------|-----------|--------------------------|------------|
| ±24 mV _{DC} | 0,02 % of reading +3 μV | 0,07 % of reading +4 μV | 100 MΩ | 30 V | 1 μV |
| ±240 mV _{DC} | 0,02 % of reading +30 μV | 0,07 % of reading +40 μV | 100 MΩ | 30 V | 10 μV |

Environmental conditions

Operating temperature range: 0 to 50°C (0 to 45°C with all three plug-in cards installed)
Storage temperature range: -40 to 60°C
Humidity: 0 to 85% max. non-condensing

A/D converter

Resolution: 16 bit
A/D Conversion rate: 20 readings/sec.

Manual tare

Configurable via front keys

Analog output MP 30/20

2 analogue outputs with:
 0/4-20 mA or 0-10 V_{DC}
 Isolation to sensor & user input commons
 Accuracy: 0.17% of FS (18 to 28°C)
 Resolution: 1/3500
 Compliance: 10V_{DC}: 10 KΩ load min.
 20 mA: 500 Ω load max.
 Update time: max. 200 msec. filter and zero correction disabled
 Gross | net selectable

Setpoint output MP 30/10

Type: 2 FORM-C relays
 Isolation to sensor & user input commons
 Total current: 5A at 120/240 V_{AC} or 28 V_{DC}
 Life expectancy: 100 K cycles min.
 at full load rating.
 Gross | net selectable

Setpoint output MP 30/11

Type: 4 FORM-A relays
 Total current: 3 A at 120/240 V_{AC} or 28 V_{DC}

Serial communications

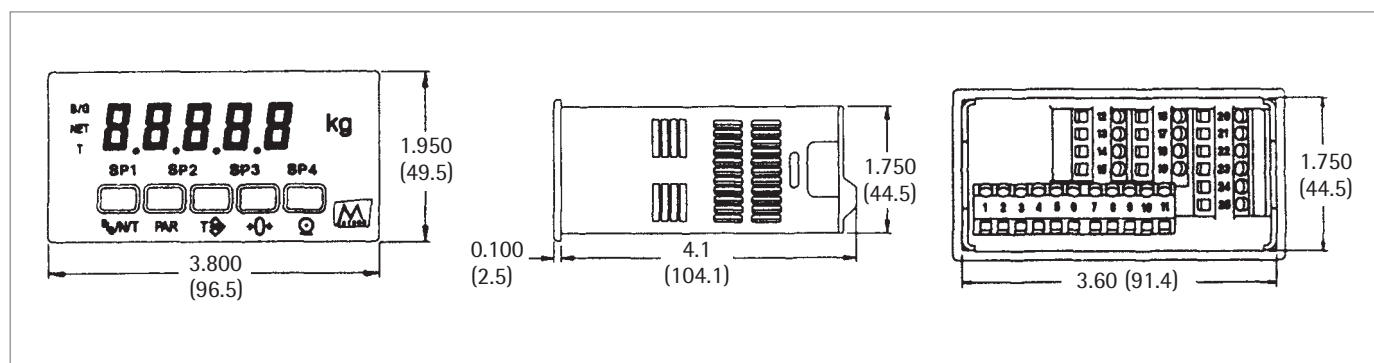
**RS 232 (MP 30/31)
 or RS 485 (MP 30/32)**
 Isolation to sensor & user input commons:
 Settings: Databits: 7/8,
 Baudrate: 300-19,200,
 Parity: no | odd | even
 Bus address: selectable 0-99,
 max. 32 devices per line (RS 485)
 Distance:
 RS 232: up to 15 m
 RS 485: up to 1200 m

Low frequency noise rejection

Normal mode: > 60 dB at 50 or
 60 Hz +/-1%, digital filter off
 Common mode: > 100 dB, DC to 120 Hz
 (w.r.t. earth)

Custom linearization

Data point pairs: selectable from 2 to 16
 Display range: -19.999 to 99.999
 Decimal point: 0 to 0.0000



Dimensions in inches (mm)

Order information

| Type | Description | Order number |
|----------|---|----------------|
| MP 30/00 | Digital Indicator 85 to 250 V _{AC} | 9408 800 30001 |
| MP 30/01 | Digital Indicator 11 to 36 V _{AC/DC} | 9408 800 30011 |
| MP 30/10 | Dual Relay Output for MP 30/0x | 9408 800 30101 |
| MP 30/11 | Quad Relay Output for MP 30/0x | 9408 800 30111 |
| MP 30/20 | Analog Output for MP 30/0x | 9408 800 30201 |
| MP 30/31 | RS 232 Interface for MP 30/0x | 9408 800 30311 |
| MP 30/32 | RS 485 Interface for MP 30/0x | 9408 800 30321 |

Specifications subject to change
 without notice.
 Printed in Germany.
 n/sart · C
 Publication No.: HMP2002-e10101
 Order No.: 9498 708 30001
 Version 09.2010

Sartorius Mechatronics T & H GmbH
 Meiendorfer Strasse 205
 22145 Hamburg, Germany

Phone +49.40.67960.303
 Fax +49.40.67960.383

info.mechatronics@sartorius.com
www.sartorius-mechatronics.com