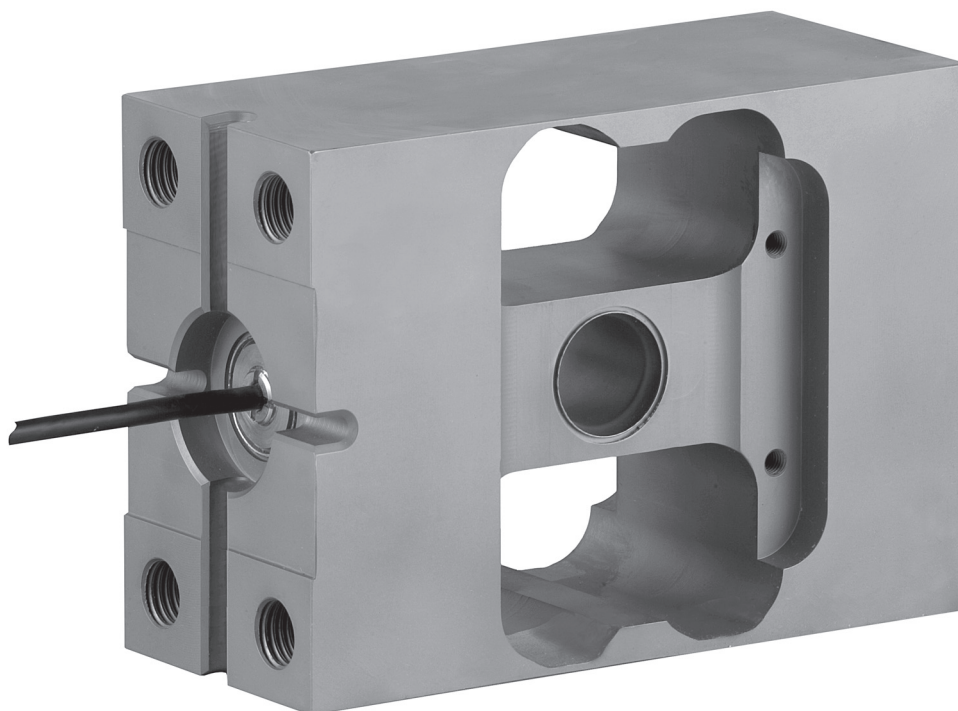


Type PC2H Load Cell



Product Description

The type PC2H is a stainless steel high capacity single point load cell with complete hermetic sealing. It is a perfect fit for use in harsh industrial environments.

Application

- On-board vehicle weighing, floor scales, conveyor scales, hopper and tank weighing systems

Key Features

- Capacity of 2 000 kg
- Stainless steel construction
- Environmental Protection IP68 with complete hermetic sealing
- Side mount, rugged design with low sensitivity to moment
- Maximum platform size up to 1 200 x 1 200 mm
- High input resistance

Approvals

- OIML approval to C1 (Y = 5 000) C2 (Y = 10 000) and C3 (Y = 10 000)
- ATEX hazardous area approval for Zone 0, 1, 2, 20, 21 and 22

Options

- Y = 10 000 for C1 and C2
- Y = 20 000 for C3

Packed Weight

- 8.3 kg

Available Accessories

- Compatible range of electronics

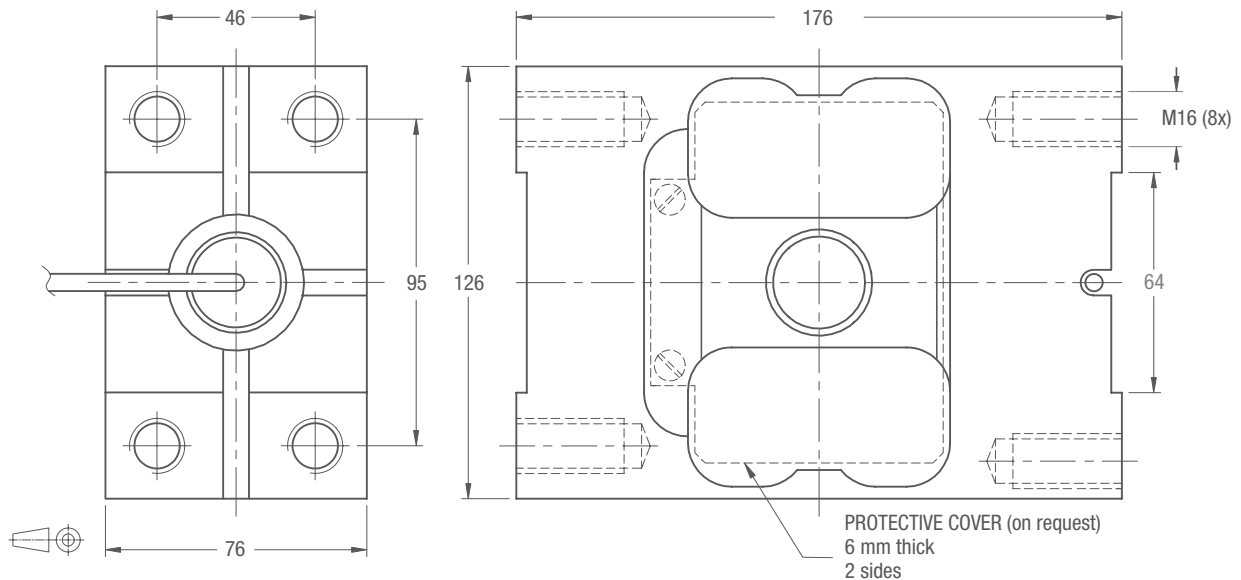
PC2H Specifications

		(E _{max})	kg	2 000			
Accuracy class according to OIML R60				(GP)	C1	C2	C3
Maximum number of verification intervals		(n _{LC})		n.a.	1 000	2 000	3 000
Minimum load cell verification interval		(v _{min})		n.a.	E _{max} /5 000		E _{max} /10 000
Temperature effect on minimum dead load output		(TC ₀)	%*RO/10°C	≤ ± 0.0400	≤ ± 0.0280		≤ ± 0.0140
Temperature effect on sensitivity		(TC _{RO})	%*RO/10°C	≤ ± 0.0200	≤ ± 0.0160	≤ ± 0.0110	≤ ± 0.0100
Combined error			%*RO	≤ ± 0.0500	≤ ± 0.0300	≤ ± 0.0300	≤ ± 0.0200
Non-linearity			%*RO	≤ ± 0.0400	≤ ± 0.0300	≤ ± 0.0250	≤ ± 0.0166
Hysteresis			%*RO	≤ ± 0.0400	≤ ± 0.0300	≤ ± 0.0250	≤ ± 0.0166
Creep error (30 minutes) / DR			%*RO	≤ ± 0.0600	≤ ± 0.0490	≤ ± 0.0245	≤ ± 0.0166
Option	Min. load cell verification interval	(v _{min opt})		n.a.	E _{max} /10 000		E _{max} /20 000
	Temp. effect on min. dead load output	(TC _{0 opt})	%*RO/10°C	n.a.	≤ ± 0.0140		≤ ± 0.0070
Rated Output		(RO)	mV/V	2 ± 5%			
Zero balance			%*RO	≤ ± 5			
Excitation voltage			V	5...15			
Input resistance		(R _{LC})	Ω	1 100 ± 50			
Output resistance		(R _{out})	Ω	960 ± 50			
Insulation resistance (100 V DC)			MΩ	≥ 5 000			
Safe load limit		(E _{lim})	%*E _{max}	200			
Ultimate load			%*E _{max}	300			
Safe side load			%*E _{max}	100			
Maximum off centre loading effect			%*RO/mm	≤ ± 0.00002			
Maximum off centre distance at maximum capacity			mm	175			
Compensated temperature range			°C	-10...+40			
Operating temperature range			°C	-40...+80 (ATEX -40...+60)			
Load cell material				stainless steel 17-4 PH (1.4548)			
Sealing				complete hermetic sealing; cable entry sealed by glass to metal header			
Protection according DIN 40.050				IP68			

The limits for Non-Linearity, Hysteresis, and TC_{RO} are typical values.

The sum of Non-linearity, Hysteresis and TC_{RO} meets the requirements according to OIML R60 with p_{LC}=0.7.

Dimensions (in mm)



Mounting bolts M16 8.8; torque 200 Nm. Torque value assumes oiled threads.

Wiring

- The load cell is provided with a shielded, 6 conductor cable (AWG 26). Cable jacket polyurethane
- Cable length: 6 m
- Cable diameter: 5.8 mm
- The shield is connected to the load cell body

