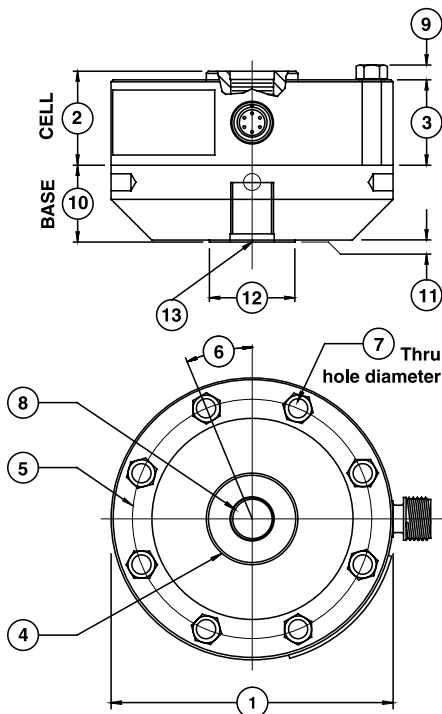


Model 1200 Standard Load Cell (U.S. & Metric)

Why the Interface model 1200 Standard Load Cell is the best in class:

- Proprietary Interface temperature compensated strain gages
- Performance to .04%
- High output – to 4 mV/V
- Eccentric Load compensated
- .0008%/°F (.0015%/°C) temp. effect on output
- Low deflection
- Shunt calibration
- Barometric compensation
- Tension and compression
- Compact size



DIMENSIONS

| See Drawing | MODEL | | | | | |
|-------------|---------------------------|-------------------------|-----------------|--------------|-----------------|--------------|
| | 1210 | | 1220 | | 1232 | |
| | CAPACITY | | | | | |
| | U.S. (lbf) | Metric (kN) | U.S. (lbf) | Metric (kN) | U.S. (lbf) | Metric (kN) |
| | 300, 500, 1K, 2K, 5K, 10K | 1.5, 2.5, 5, 10, 25, 50 | 25K, 50K | 100, 250 | 100K | 450 |
| | inch | mm | inch | mm | inch | mm |
| ① | 4.13 | 104.8 | 6.06 | 153.9 | 8.00 | 203.2 |
| ② | 1.38 | 34.9 | 1.75 | 44.5 | 2.50 | 63.5 |
| ③ | 1.25 | 31.7 | 1.63 | 41.4 | 2.25 | 57.2 |
| ④ | 1.34 | 34.0 | 2.65 | 67.3 | 3.76 | 95.2 |
| ⑤ | 3.50 | 88.9 | 5.13 | 130.3 | 6.50 | 165.1 |
| ⑥ | 22.5° | 22.5° | 15.0° | 15.0° | 11.25° | 11.25° |
| ⑦ | 0.28 | 7.10 | 0.41 | 10.4 | 0.53 | 13.5 |
| | 8 places | | 12 places | | 16 places | |
| ⑧ | 5/8-18 UNF-3B | M16 X 2-4H | 1 1/4-12 UNF-3B | M33 X 2-4H | 1 3/4-12 UNF-3B | M42 X 2-4H |
| | 1.12 in deep | 28.4 mm deep | 1.40 in deep | 35.6 mm deep | 2.15 in deep | 54.6 mm deep |
| ⑨ | 0.20 | 5.10 | 0.30 | 7.60 | 0.40 | 10.2 |
| ⑩ | 1.13 | 28.6 | 1.75 | 44.5 | 2.00 | 50.8 |
| ⑪ | 0.03 | 0.80 | 0.03 | 0.80 | 0.03 | 0.80 |
| ⑫ | 1.25 | 31.8 | 2.25 | 57.2 | 3.00 | 76.2 |
| ⑬ | 5/8-18 UNF-3B | M16 X 2-4H | 1 1/4-12 UNF-3B | M33 X 2-4H | 1 3/4-12 UNF-3B | M42 X 2-4H |
| | .87 in deep | 22.1 mm deep | 1.40 in deep | 35.6 mm deep | 1.75 in deep | 44.5 mm deep |

SPECIFICATIONS

| PARAMETERS | MODEL | | | |
|---------------------------------|-----------------------|-------------|-------------|-------------|
| | 1210 | 1210 | 1220 | 1232 |
| | CAPACITY | | | |
| U.S. Models (lbf) | 300, 500, 1K, 2K | 5K, 10K | 25K, 50K | 100K |
| Metric Models (kN) | 1.5, 2.5, 5, 10 | 25, 50 | 100, 250 | 450 |
| ACCURACY – (MAX ERROR) | | | | |
| Static Error Band-% FS | ±0.04 | ±0.05 | ±0.05 | ±0.06 |
| Nonlinearity-% FS | ±0.04 | ±0.05 | ±0.05 | ±0.05 |
| Hysteresis-% FS | ±0.03 | ±0.05 | ±0.06 | ±0.06 |
| Nonrepeatability-% RO | ±0.01 | ±0.01 | ±0.01 | ±0.01 |
| Creep, in 20 min-% | ±0.025 | ±0.025 | ±0.025 | ±0.025 |
| Side Load Sensitivity-% | ±0.25 | ±0.25 | ±0.25 | ±0.25 |
| Eccentric Load Sensitivity-%/in | ±0.25 | ±0.25 | ±0.25 | ±0.25 |
| TEMPERATURE | | | | |
| Compensated Range-°F | 15 to 115 | 15 to 115 | 15 to 115 | 15 to 115 |
| Compensated Range-°C | -10 to 45 | -10 to 45 | -10 to 45 | -10 to 45 |
| Operating Range-°F | -65 to 200 | -65 to 200 | -65 to 200 | -65 to 200 |
| Operating Range-°C | -55 to 90 | -55 to 90 | -55 to 90 | -55 to 90 |
| Effect on Zero-%RO/°F – MAX | ±0.0008 | ±0.0008 | ±0.0008 | ±0.0008 |
| Effect on Zero-%RO/°C – MAX | ±0.0015 | ±0.0015 | ±0.0015 | ±0.0015 |
| Effect on Output-%/°F – MAX | ±0.0008 | ±0.0008 | ±0.0008 | ±0.0008 |
| Effect on Output-%/°C – MAX | ±0.0015 | ±0.0015 | ±0.0015 | ±0.0015 |
| ELECTRICAL | | | | |
| Rated Output-mV/V (Nominal) | 2.0 | 4.0 | 4.0 | 4.0 |
| Excitation Voltage-VDC – MAX | 20 | 20 | 20 | 20 |
| Bridge Resistance-Ohm (Nominal) | 350 | 350 | 350 | 350 |
| Zero Balance-% RO | ±1.0 | ±1.0 | ±1.0 | ±1.0 |
| Insulation Resistance-Megohm | 5000 | 5000 | 5000 | 5000 |
| MECHANICAL | | | | |
| Safe Overload-% CAP | ±150 | ±150 | ±150 | ±150 |
| Deflection @ RO-inch | 0.001 | 0.002 | 0.002 | 0.003 |
| Deflection @ RO-mm | 0.03 | 0.05 | 0.05 | 0.08 |
| Optional Base-P/N (Metric) | B101 (M) | B102 (M) | B103 (M) | B112 (M) |
| Natural Frequency-kHz | 3.9, 5.0, 6.9, 9.8 | 6.6, 9.4 | 6.5, 7.0 | 5.8 |
| Weight-lb | 1.5 | 3.3 | 9.5 | 26 |
| Weight-kg | 0.7 | 1.5 | 4.3 | 11.8 |
| Connector | PC04E-10-6P | PC04E-10-6P | PC04E-10-6P | PC04E-10-6P |
| Calibration | T & C | T & C | T & C | T & C |

OPTIONS

- Base (Recommended)
- Compression Overload Protection
- Integral 10 ft Cable
- Bayonet Connector
- Multiple Bridge
- Standardized Output
- Connector Protection
- Transducer Electronic Data Sheet (TEDS)

ACCESSORIES

- Mating Connector
- Instrumentation
- Loading Hardware

Consult factory for more technical information

STANDARD CONFIGURATIONS

- 10 ft Integral Cable (12xxAJ-nn)
- <or> PC04E-10-6P Standard Connector (12xxAF-nn)
- <or> PT02E-10-6P Bayonet Connector (12xxACK-nn)
- Installed Base (-B suffix)



Shown with optional base