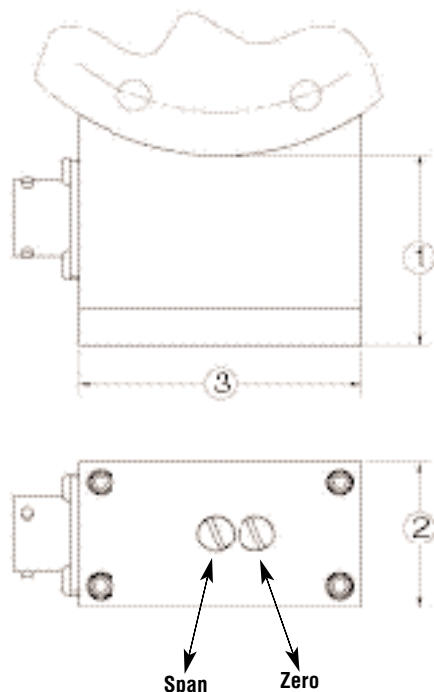


# Model 1200 Standard 3-Wire Amplified Load Cell Universal or Compression-Only (U.S. & Metric)

**Why the Interface model 1200 Standard 3-Wire Amplified Load Cell is the best in class:**

- Proprietary Interface temperature compensated strain gages
- Eccentric load compensated
- Low deflection
- Shunt calibration
- Tension and compression
- Compact size
- 3-wire internal amp choice of 4-20 mA,  $\pm 5V$ ,  $\pm 10V$ , 0-5V, 0-10V



## DIMENSIONS

See Drawing	Amplifier Housing	
	inch	mm
①	1.48	37.6
②	1.13	28.7
③	2.18	55.4

Load cell dimensions same as Standard 1200 series.

**SPECIFICATIONS**

PARAMETERS	MODEL			
	Universal	1210	1210	1220
Compression-Only	1211**	1211	1221	1231
<b>CAPACITY</b>				
U.S. Models (lbf)	300, 500, 1K, 2K	5K, 10K	25K, 50K	100K
Metric Models (kN)	1.5, 2.5, 5, 10	25, 50	100, 250	450
<b>ACCURACY – (MAX ERROR)</b>				
Static Error Band-% FS	±0.06	±0.07	±0.07	±0.07
Nonlinearity-% FS	±0.06	±0.07	±0.07	±0.07
Hysteresis-% FS	±0.03	±0.05	±0.06	±0.06
Nonrepeatability-% RO	±0.02	±0.02	±0.02	±0.02
Creep, in 20 min-%	±0.025	±0.025	±0.025	±0.025
Side Load Sensitivity-%	±0.25	±0.25	±0.25	±0.25
Eccentric Load Sensitivity-%/in	±0.25	±0.25	±0.25	±0.25
<b>TEMPERATURE</b>				
Compensated Range-°F	15 to 115	15 to 115	15 to 115	15 to 115
Compensated Range-°C	-10 to 45	-10 to 45	-10 to 45	-10 to 45
Operating Range-°F	-20 to 185	-20 to 185	-20 to 185	-20 to 185
Operating Range-°C	-29 to 85	-29 to 85	-29 to 85	-29 to 85
Effect on Zero-%RO/°F – MAX	±0.005	±0.003	±0.003	±0.003
Effect on Zero-%RO/°C – MAX	±0.009	±0.005	±0.005	±0.005
Effect on Output-%/°F – MAX	±0.005	±0.005	±0.005	±0.005
Effect on Output-%/°C – MAX	±0.009	±0.009	±0.009	±0.009
<b>ELECTRICAL</b>				
Rated Output	4-20 mA, ±5V, ±10V, 0-5V, 0-10V			
Supply Voltage-VDC – MAX	11 to 28	11 to 28	11 to 28	11 to 28
Span Adjust Range-% RO	±10	±10	±10	±10
Zero Adjust Range-% RO	7	3.5	3.5	3.5
Insulation Resistance-Megohm	5000	5000	5000	5000
<b>MECHANICAL</b>				
Safe Overload-% CAP	±150	±150	±150	±150
Deflection @ RO-inch	0.001	0.002	0.002	0.003
Deflection @ RO-mm	0.03	0.05	0.05	0.08
Optional Base-P/N (Metric)	B101 (M)	B102 (M)	B103 (M)	B112 (M)
Bandwidth Hz	200	200	200	200
Weight-lb	1.5	3.3	9.5	26
Weight-kg	0.7	1.5	4.3	11.8
Connector	PT02E-10-6P	PT02E-10-6P	PT02E-10-6P	PT02E-10-6P
Calibration	T & C	T & C	T & C	T & C

\*\*300 & 500 available in Universal only

**OPTIONS\* Page 115**

Base (Recommended)  
 Compression Overload Protection  
 Multiple Bridge  
 Connector Protection  
 See Transducer Electronic Data Sheet (TEDS) Page 118

**ACCESSORIES\***

Mating Connector  
 Instrumentation  
 Loading Hardware

\*See appendix for more technical information

**STANDARD CONFIGURATIONS**

PT02E-10-6P Bayonet Connector  
 Installed Base (-B suffix)

CONNECTOR PINOUT	
PIN	FUNCTION
A	+SUPPLY
B	SUPPLY GND
C	OUTPUT GND
D	OUTPUT
E	SHUNT CAL
F	SHUNT CAL