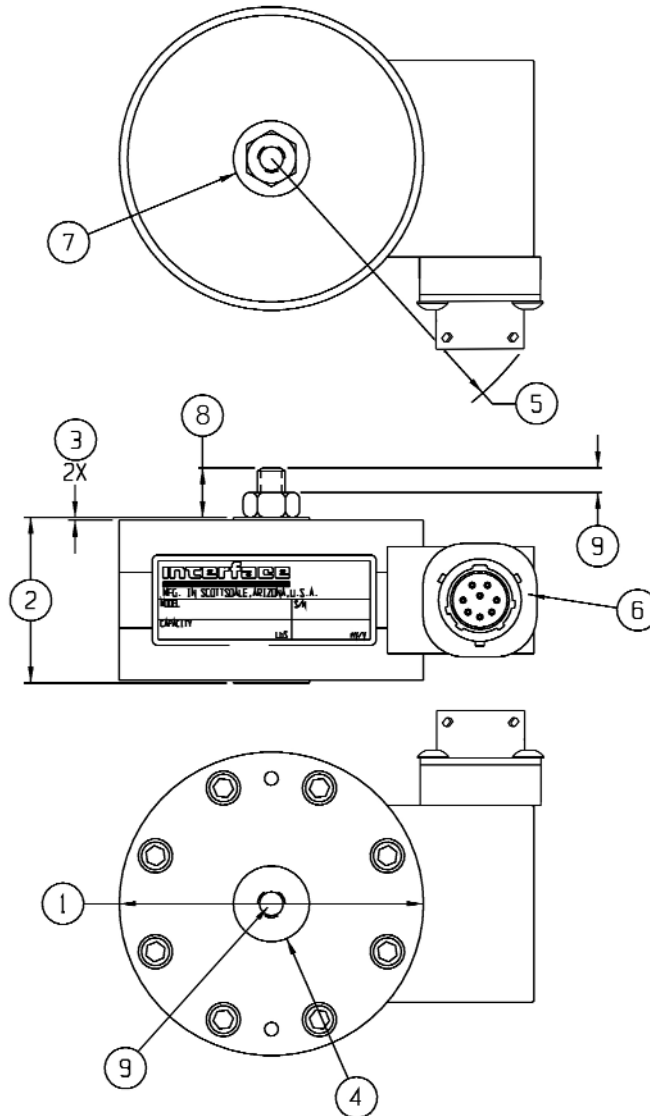


Model 1606 Gold Standard™ Low Capacity Calibration Load Cell

Why the Interface model 1606 Gold Standard™ Low Capacity Calibration Load Cells are the best in class:

- Capacities from 50 lbf to 300 lbf (250N to 1,500N)
- Tension & compression in one unit
- 0.05% nonrepeatability
- .02% creep
- 3 run NIST traceable ASTM E74 calibration
- Factory installed calibration adapter
- Eccentric load compensated
- .0008%/°F temp. effect on output
- 4% lower load limit per ASTM E74
- Higher capacities available



DIMENSIONS

See Drawing	CAPACITY	
	U.S. (lbf) 50,100,200,300	Metric (N) 250,500,1000,1500
	inch	mm
①	2.75	69.8
②	1.50	38.1
③	0.03	0.6
④	0.69	17.5
⑤	2.85	72.3
⑥	PT02E-12-8P	PT02E-12-8P
⑦	0.69	17.5
⑧	0.45	11.4
⑨	1/4-28 UNF 0.25 in deep	M6 X 1-6H 6.4 mm deep

SPECIFICATIONS

PARAMETERS	MODEL	
	1606	1606
	CAPACITY	
U.S. Models (lbf) Metric Models (N)	50 250	100, 200, 300 500, 1000, 1500
ACCURACY – (MAX ERROR)		
Static Error Band-% FS	±0.03	±0.02
Nonlinearity-% FS	±0.04	±0.03
Hysteresis-% FS	±0.03	±0.02
Nonrepeatability-% RO	±0.005	±0.005
Creep, 20 min-%	±0.02	±0.02
Side Load Sensitivity-%	±0.25	±0.25
Eccentric Load Sensitivity-%/in	±0.25	±0.25
Lower Load Limit-% Cap. (ASTM E74 CLASS A)	4.0	4.0
TEMPERATURE		
Compensated Range-°F	15 to 115	15 to 115
Compensated Range-°C	-10 to 45	-10 to 45
Operating Range-°F	-65 to 200	-65 to 200
Operating Range-°C	-55 to 90	-55 to 90
Effect on Zero-%RO/°F – MAX	±0.0008	±0.0008
Effect on Output-%/°F – MAX	±0.0008	±0.0008
ELECTRICAL		
Rated Output-mV/V (Nominal)	2.0	2.0
Excitation Voltage-VDC – MAX	20	20
Bridge Resistance-Ohm (Nominal)	700	700
Zero Balance-% RO	±1.0	±1.0
Insulation Resistance-Megohm	5000	5000
MECHANICAL		
Safe Overload-% CAP	±150	±150
Deflection @ RO-inch	0.003	0.003
Weight-lb	1.0	1.0
Connector	PT02E-12-8P	PT02E-12-8P
Calibration	T & C	T & C

STANDARD CONFIGURATIONS

PT02E-12-8 Connector (16xxAJH-nn)

ACCESSORIES

Precision mV/V Transfer Standard
Instrument Cable Assemblies
Signal Conditioning Boards
Gold Standard Calibration System
Calibration Software

Consult factory for more technical information