

# SHAFT TYPE

# OVW-2 Model



## Economical Model

- Practical Length Reduction from 38mm to 30mm.

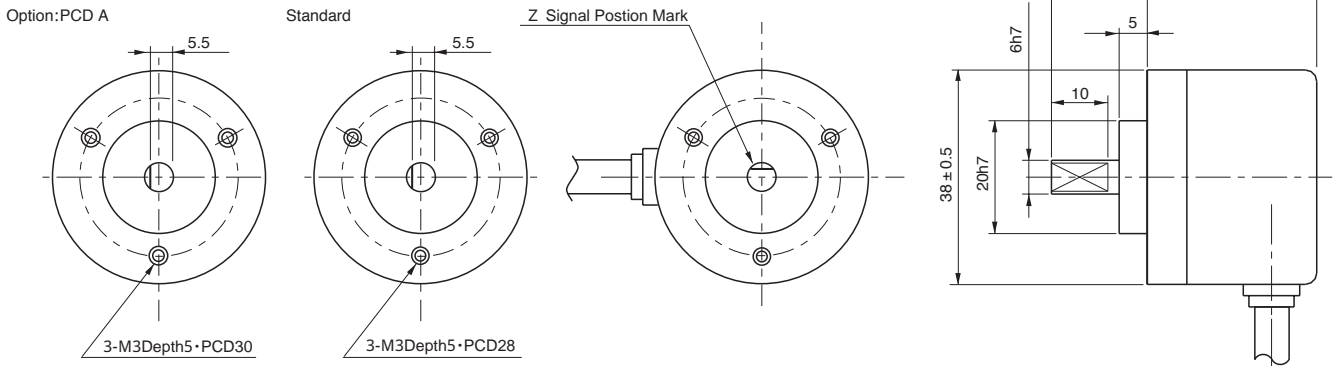
### Model

OVW2- [ ] [ ] - [ ] [ ] [ ] - [ ] - [ ] [ ] [ ] - [ ] 0 0

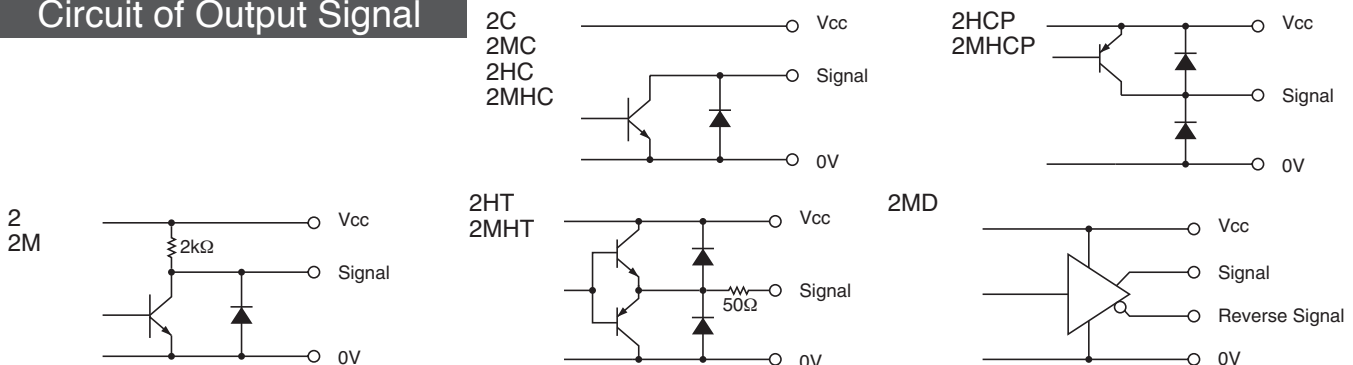
Resolution		Output Mode		Option	Cable Length		Signals	
002	20P/R	05	500P/R		050	500mm (Standard)	No Indication	Other than D output
003	30P/R	0512	512P/R	No Indication	100	1000mm	No Indication	D output with LS
0032	32P/R	06	600P/R	A	300	3000mm	C	D output with C-MOS
004	40P/R	08	800P/R					
005	50P/R	09	900P/R					
006	60P/R	10	1000P/R					
01	100P/R	1024	1024P/R	No Indication				
0125	125P/R	12	1200P/R	C				
02	200P/R	15	1500P/R	HC				
0250	250P/R	18	1800P/R	HCP				
0256	256P/R	20	2000P/R	HT				
03	300P/R	2048	2048P/R	D				
036	360P/R	25	2500P/R					
04	400P/R	36	3600P/R					

No Indication: Standard(PCD28)  
 A : PCD A  
 No Indication : Voltage Output  
 C : Open Collector Output  
 HC : Open Collector Output / High Voltage  
 HCP : PNP Mode Open Collector Output / High Voltage  
 HT : Push-Pull Output / High Voltage  
 D : Line Driver Output  
 Low Power Consumption C-MOS Output Available  
 2 : 90° Phase Difference  
 2M : AB90° Phase Difference + Zero Signal

### External Dimension



### Circuit of Output Signal

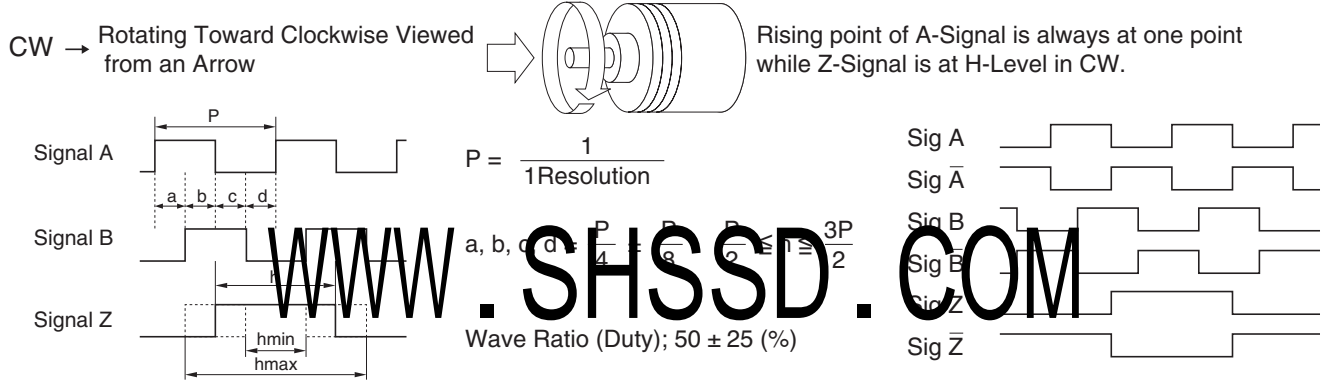


**Electrical Spec.**

※1) at Maximum Output Current ※2) Maximum Source Current

TYPE		2•2M	2C•2MC	2HC•2MHC	2HCP•2MHCP	2HT•2MHT	2MD
Supply Voltage		DC4.5 ~ 13.2 V			DC10.8 ~ 26.4 V		DC4.75 ~ 5.25V C-MOS DC4.5 ~ 5.5V
Requirement		80 mA Max	60 mA Max		100 mA Max	90 mA Max	150 mA Max C-MOS60 mA Max
Output Voltage	“H”	Within -1 Power Volt	_____		Within -1 <sup>2</sup> Power Volt	Within -3 Power Volt	2.5 V or More
	“L” ※1	0.5 V Max			_____	3 V Max	0.5 V Max
Maximum Output Current		20 mA MAX				40 mA MAX	20 mA MAX
Rise & Fall Time		1 μs Max					200 ns Max
Maximum Frequency Response		200 kHz			50 kHz	200 kHz	
Withstanding Voltage of Output Tr.		_____	50 V MAX.		_____		

**Wave Form.**



**Electrical Connections**

	Color of Lead Wire	Description
2	Red	Power Source
2M	Black	0V Common
2C	Green or Blue	Signal A
2MC	White	Signal B
2HC	Yellow	Signal Z
2MHC	Shielding Braid	NC
2HCP		
2MHCP		
2HT		
2MHT		

2MD	Color of Lead Wire	Description	Color of Lead Wire	Description
	Red	Power Source	White	Signal B
	Black	0V Common	Gray	Signal B
	Green	Signal A	Yellow	Signal Z
	Blue	Signal A	Orange	Signal Z
	Shielding Braid	NC		

**Mechanical Spec.**

Starting Torque		9.8×10 <sup>-4</sup> N • m Max
Angular Acceleration		1×10 <sup>5</sup> rad/s <sup>2</sup>
Shaft Loading	Thrust axial	19.6N
	Radial	29.4N
Moment of Inertia		8×10 <sup>-7</sup> kg • m <sup>2</sup>
Maximum RPM		6000r/min
Net Weight		100g Max

**Environmental Spec.**

Operating Temperature	-10°C ~ +70°C
Storage Temperature	-30°C ~ +80°C
Humidity	RH 85% Max No Condensation
Vibration	10~55 Hz / 1.5mm 2 h
Shock	490m/s <sup>2</sup> , 11ms X, Y, Z Each 3 times
Degree of Protection	IP50